

For factory prepared doors only

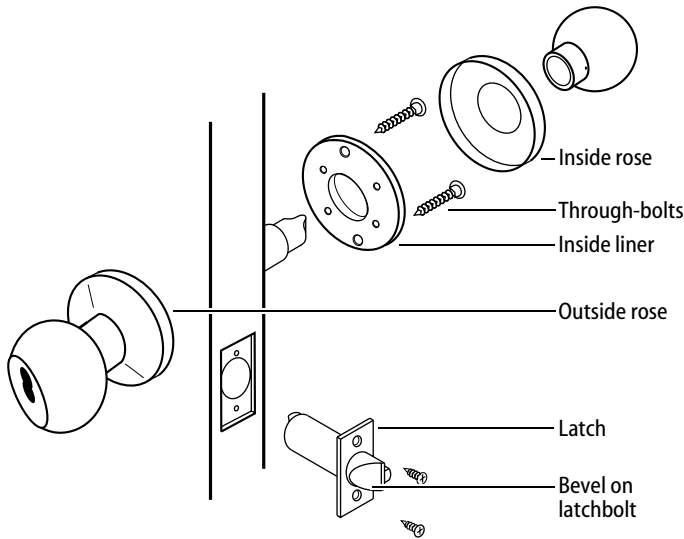


Figure 1 — Overview diagram

Caution: If you use hollow metal doors, determine whether the doors are reinforced enough to support the lock. If door reinforcement is not adequate, consult the door manufacturer for information on proper reinforcement.

Simplified instructions

- 1 Install the latch so that the bevel on the latchbolt faces the strike.
- 2 Adjust the outside rose assembly so that the chassis is centered in the door. Install the chassis from the outside of the door.
- 3 Install the inside liner, through-bolts, rose, lever, and strike.

For field door preparation and detailed installation instructions, see the following steps.

1 Position template

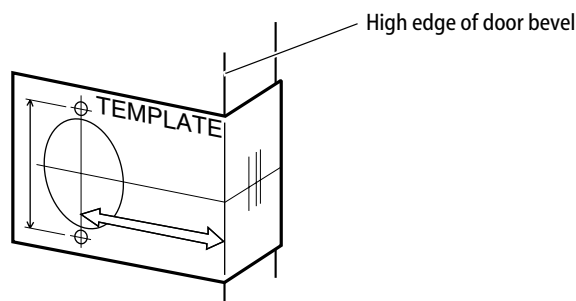


Figure 2 — Positioning the template

- 1 Fold the template and place in position on the high edge of the door bevel (see Figure 2).
- 2 Mark the drill points for lock and latch.

Note: The suggested height from floor to centerline of the lock is 40 5/16". If steel frames are used, the latch centerline must be in line with the center of the strike preparation.

2 Bore two holes and install latch

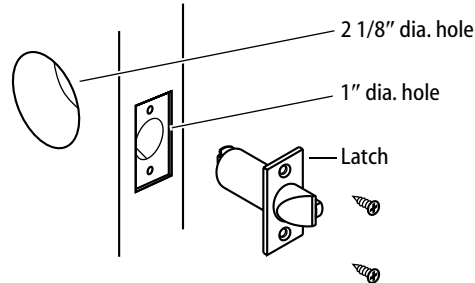


Figure 3 — Boring two holes and installing the latch

- 1 Bore a 2 1/8" diameter hole from both sides of the door, to the center of the door as shown in Figure 3.
- 2 Drill a 1" diameter hole from the edge of the door that intersects the 2 1/8" hole.
- 3 Mortise the door edge for the latch face.
- 4 Install the latch and check the door swing. Latch tabs should project into the 2 1/8" diameter hole.

3 Remove inside knob and rose & liner assembly

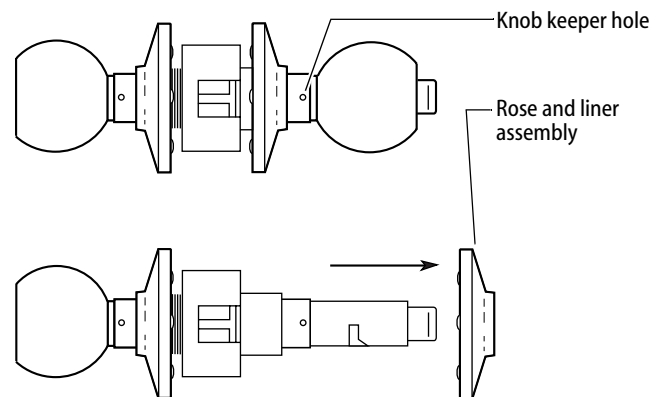


Figure 4 — Removing the inside knob and rose & liner assembly

- 1 Insert the spanner wrench tip into the knob keeper hole and depress the keeper.
- 2 Slide the knob off.
- 3 Remove the rose and liner assembly.

4 Adjust to door thickness

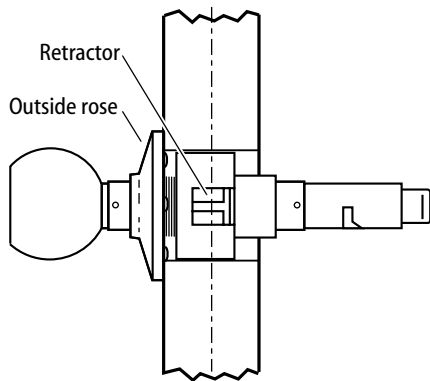


Figure 5 — Centering the retractor

- Rotate the outside rose in or out until the retractor is centered in the door.

5 Engage retractor in latch

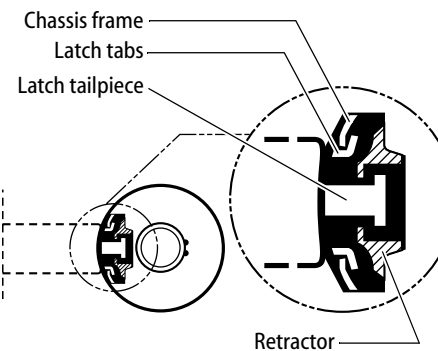


Figure 6 — Engaging the latch and retractor

- 1 With the latch in place, install the chassis from outside of the door.
- 2 Make sure that the latch tabs fit into the chassis frame and the latch tailpiece fits into the retractor.

6 Install liner and rose

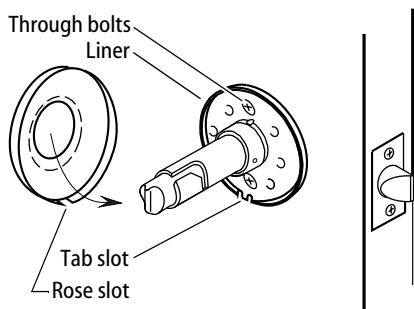


Figure 7 — Installing the rose over the liner

- 1 Separate the rose and liner (gently pry apart at the tab slot).

- 2 Place the liner in position with the tab slot at the bottom and tighten the through bolts.
- 3 Align the rose slot with the liner tab slot at the bottom and press the rose firmly onto the liner until flush with the door.

7 Install inside knob

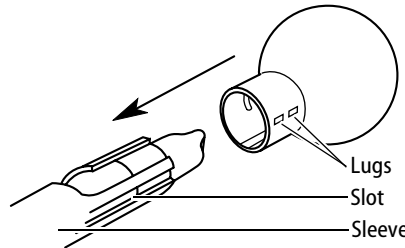


Figure 8 — Aligning and installing the inside knob

- 1 Align the two lugs (“dimples”) on the knob shank with the long slot in the sleeve and slide the knob onto the sleeve.
- 2 Make sure that the knob keeper snaps into place.
- 3 Test both knobs for functionality.

8 Install strike plate

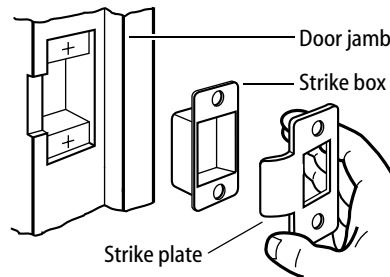


Figure 9 — Installing the strike box and plate

- 1 Mortise the door jamb to fit the strike box and strike plate. Make sure to align the strike plate and latchbolt centers.

Caution: The deadlocking plunger of the latchbolt must not enter the strike plate opening. The plunger deadlocks the latchbolt and prevents forcing the latch when the door is closed. A gap of more than 1/8" may reduce security and/or cause improper operation of the latchbolt.

- 2 Insert the strike box and secure the strike plate with the screws provided.

9 Check handing

Note: When BEST 6K locks are properly installed, the figure-8 hole must be in the

upper half of the knob. If it is not, change the hand of the lock.

To change the hand of the lock

- 1 Remove the core and throw member (if already installed). See Figure 11.

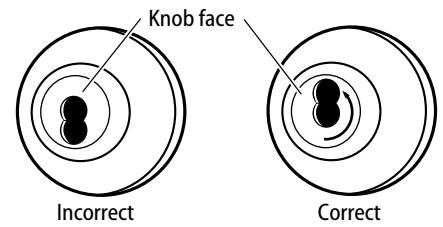


Figure 10 — Turning the knob face to correct the handing of the lock

- 2 Rotate the knob face one-half turn so that the figure-8 is in the upper half of the knob.

10 Install core

For 'R' function locks only

- Simulating the throw member, insert a screwdriver into the figure-8 opening and turn the locking mechanism counterclockwise as far as it will go before installing the core.

For all functions (including 'R' function)

For 6-pin core users only: Slide the spacer — supplied with your 6-pin cores — over the 7-pin throw member.

Note: If you have ordered 6-pin cores, you will get one spacer per core with your order. Spacers are not supplied with locks.

- 1 Insert the throw member (or throw member and spacer) into the back of the core.
- 2 Insert the control key into the core and turn the key 15 degrees clockwise.
- 3 Insert the core and throw member into the knob with the control key as shown in Figure 11.

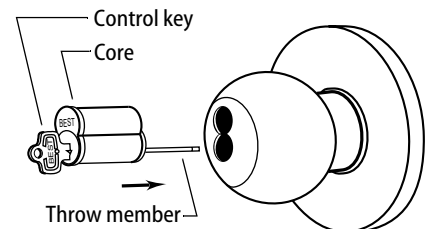


Figure 11 — Installing the core

- 4 Turn the key 15 degrees counterclockwise and remove the key.