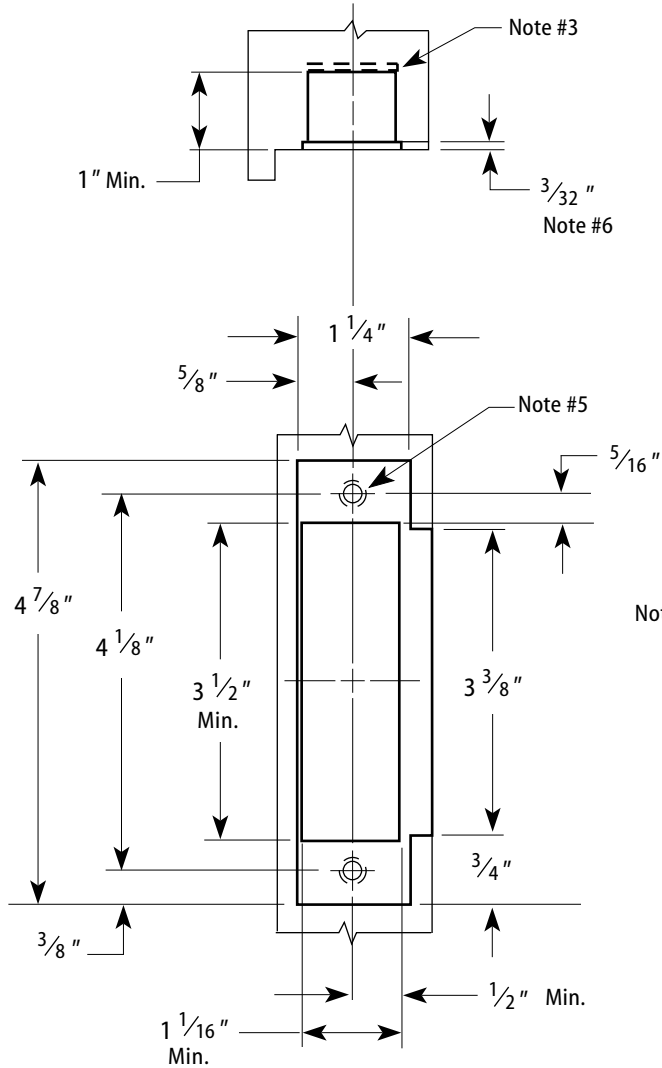


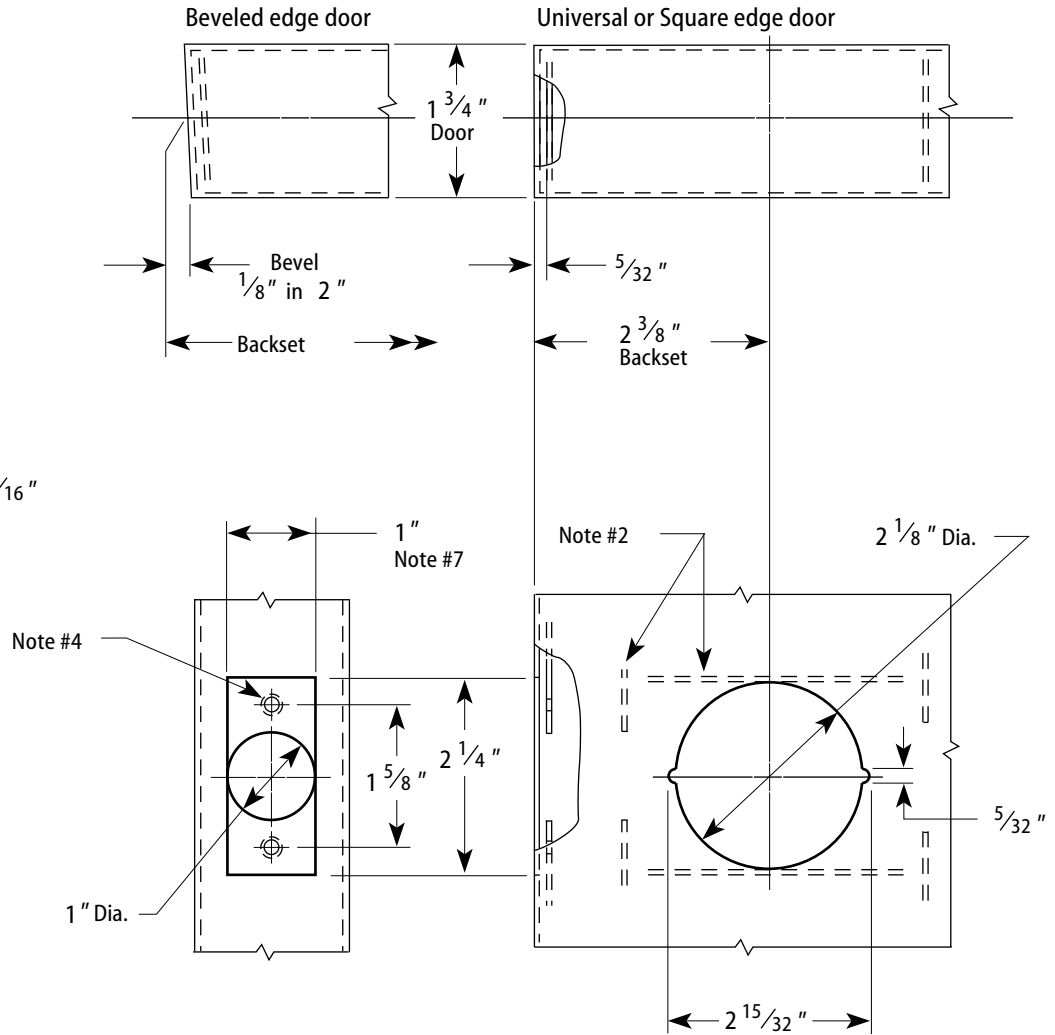
Title		Series		Backset		Strike		Door thickness		Rev date		Template number		Rev	
Door & Frame Preparation for 62K Cylindrical Locks		62K		2 3/8"		Large ANSI strike (S3)		1 3/4"		06/1999		K07		C	
BEST ACCESS SYSTEMS															
T56051/Rev C 179748 ER-7991-1															

Notes

- 1 Allow plus tolerance for clearance per ANSI A115.2.
- 2 Lock and latch case support by door manufacturer.
- 3 Plaster guard by door manufacturer.
- 4 Prepare for a #8-32 screw.
- 5 Prepare for a #12-24 screw.
- 6 When a strike box is used, 9/64"
- 7 For 62K, a 1 1/8" latch face is available.



Frame Preparation



2 3/8" Backset Door Preparation