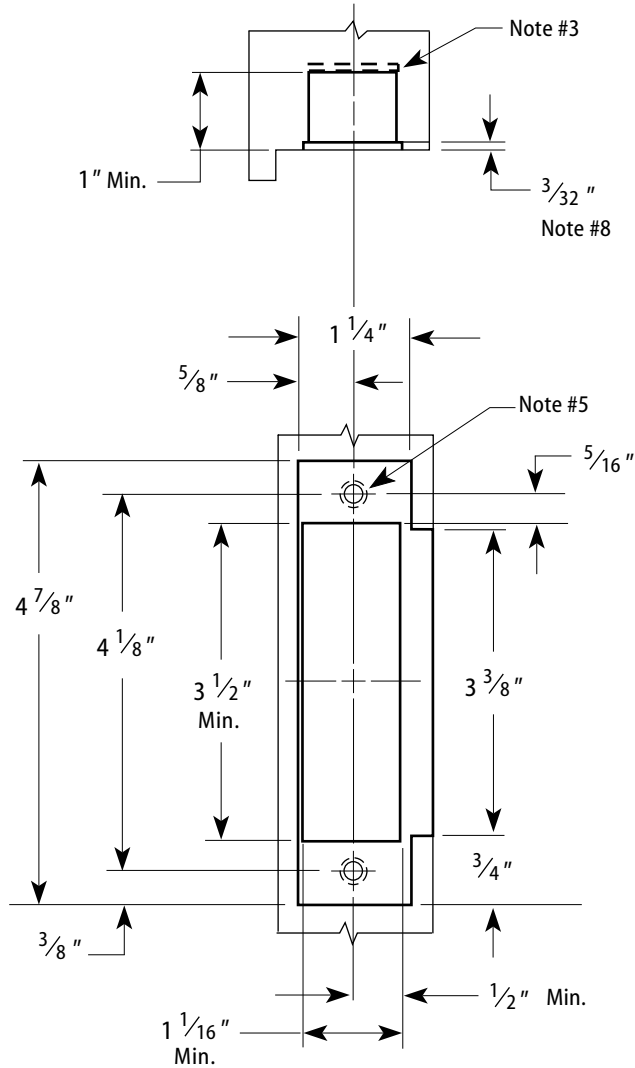


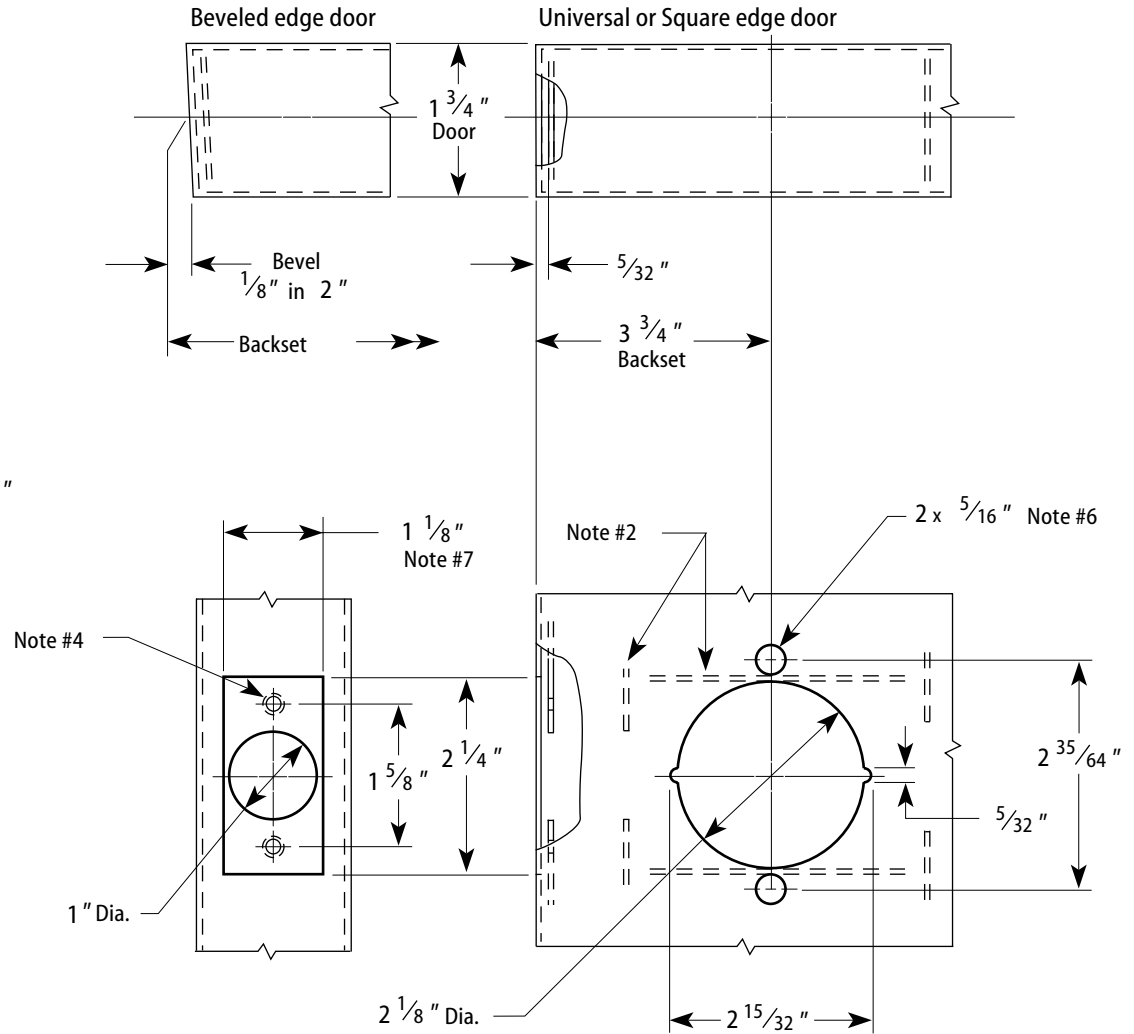
Series 64K, 84K, 94K	Backset 3 3/4"	Strike Large ANSI strike (S3)	Door thickness 1 3/4"	Rev date 06/1999	Template number K11	Rev D
Title Door & Frame Preparation for 64K, 84K, & 94K Cylindrical Locks				BEST ACCESS SYSTEMS		

Notes

- 1 Allow plus tolerance for clearance per ANSI A115.2.
- 2 Lock and latch case support by door manufacturer.
- 3 Plaster guard by door manufacturer
- 4 Prepare for a #8-32 screw.
- 5 Prepare for a #12-32 screw.
- 6 For 94K only! The 64K and 84K "C" style roses will not cover these holes.
- 7 For 64K only, a 1" latch face is available.
- 8 When a strike box is used, 9/64".



Frame Preparation



3 3/4" Backset Door Preparation