

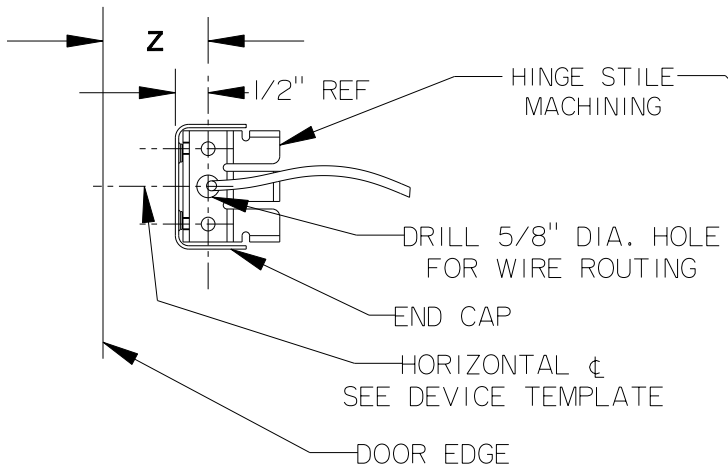
INSTALLATION INSTRUCTIONS

ELECTRIC LATCH RETRACTION WIRING DETAILS

FOR STANDARD 3' OR 4' DOORS:

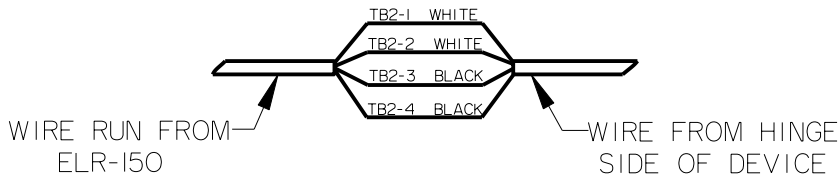
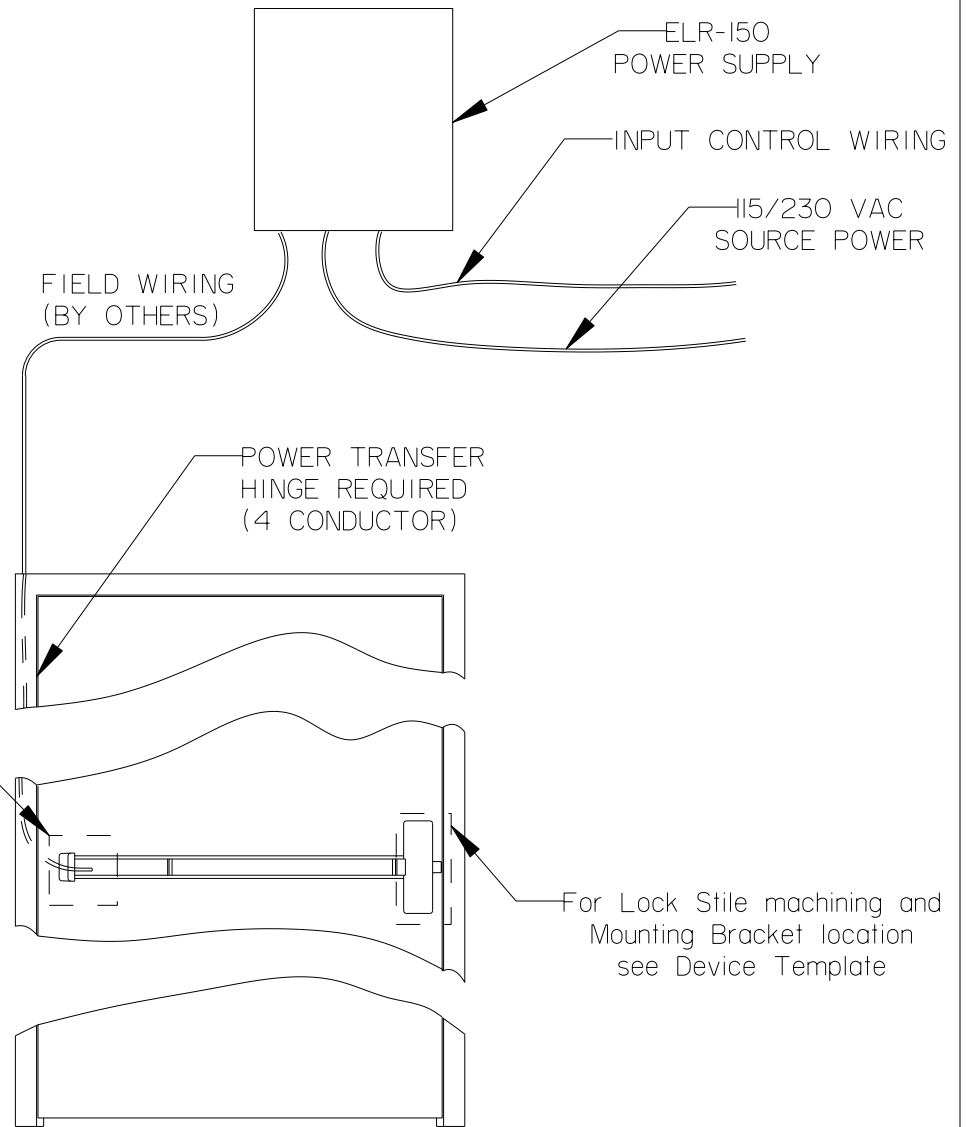
- Wide stile device with 2-3/4" backset:
Z = 2-1/4"
- Narrow stile device on Aluminum door/frame
with 1-1/16 backset: **Z = 1-1/16"**
- Narrow stile device on Hollow metal door/frame
with channel cut to 1-1/8" recommended clearance
Z = 2-1/8"

(For installation with mullion and other backset requirements, add or subtract from dimension shown.)



NOTE:

- Disconnect all power before servicing.
- Consult local codes to determine proper wiring
- ELR devices requires I50 series power supply
- Refer to installation instruction for detailed wiring



| | | | |
|----------------|---|---------|----------|
| STANLEY | DRWG | DATE | REVISION |
| | 01924-11-000 | 6/10/03 | A |
| phi | Precision Hardware a Division of Stanley Security Solutions, Inc. www.stanleysecuritysolutions.com | | |