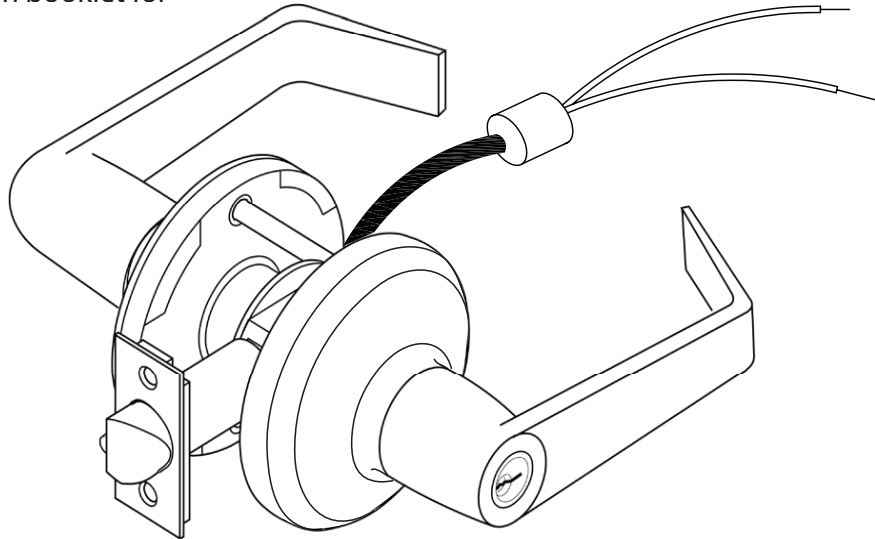


# STANLEY QCL170 ELECTRIFIED CYLINDRICAL LEVER Security INSTALLATION INSTRUCTIONS

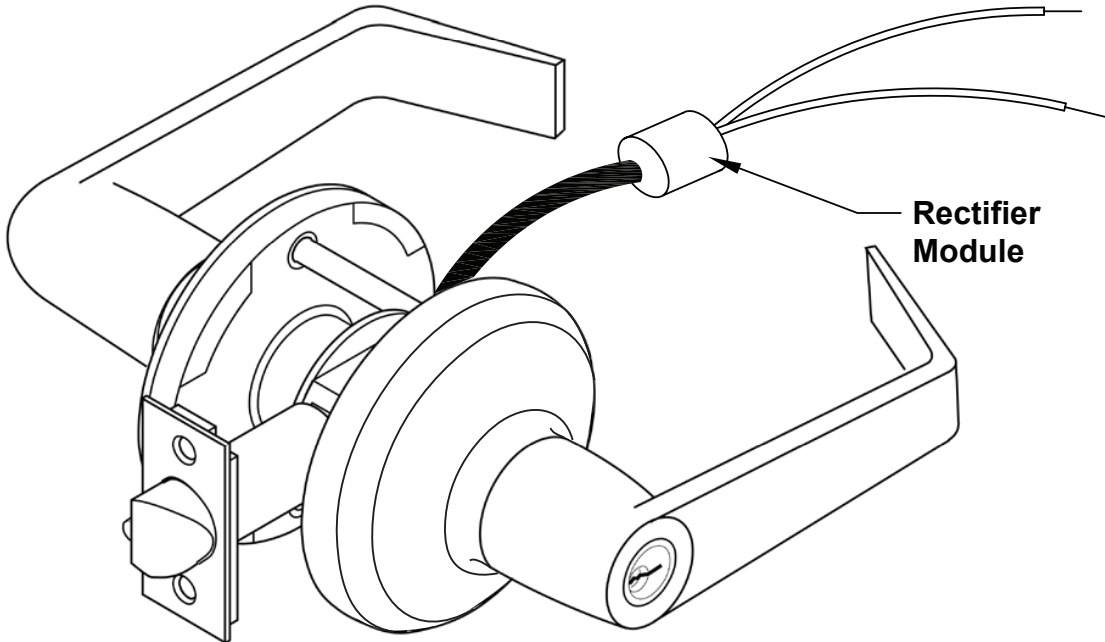
- Use page 2 of this installation booklet (fail safe/fail secure) for model numbers:  
**QCL170EU**  
**QCL170EL**
- Use page 3 of this installation booklet (request to exit) for model number  
**QCL170X**
- Use pages 2 **and** 3 of this installation booklet for model numbers:  
**QCL170EUX**  
**QCL170ELX**



**WARNING:** This Manufacturer advises that no lock can provide complete security by itself. This lock may be defeated by forcible or technical means, or evaded by entry elsewhere on the property. No lock can substitute for caution, awareness of your environment, and common sense. Builder's hardware is available in multiple performance grades to suit the application. In order to enhance security and reduce risk, you should consult a qualified locksmith or other security professional.

## QCL170

Electrified cylindrical locks with  
EL (electronically locked - fail safe) or  
EU (electronically unlocked - fail safe) modification.



Terminate the two blue wires from the lock to the electric power transfer device using 22AWG wire. Use proper crimp-splices or wire nuts for terminating the connections. Polarity is not a consideration.

**NOTE:** *Warranty is void if rectifier module is removed!*

### **ELECTRICAL SPECIFICATIONS**

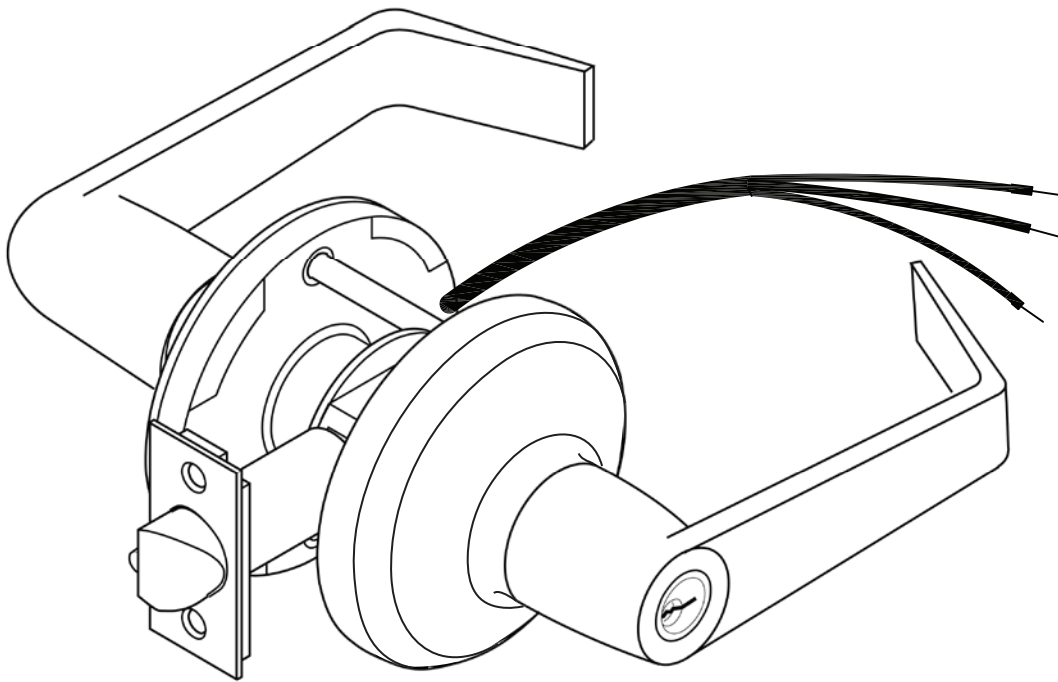
**24 VOLTS AC/DC +/- 10%**

**OPERATING CURRENT .150 AMP**

**12 VOLTS AC/DC +/- 10%**

**OPERATING CURRENT .250 AMP**

## QCL170X (request-to-exit) monitoring



Terminate wires from lock to electric power transfer device using 22 AWG wire. Use proper crimp splices or wire nuts for terminating connections.

3-wire AE modification utilizes a UL recognized SPDT switch providing a choice of:

1. Normally closed operation: use yellow (com.) and gray wires
2. Normally open operation: use yellow (com.) and red wires

### **ELECTRICAL SPECIFICATIONS**

- **125 VAC @ 3 AMP MAXIMUM**
- **30 VDC @ 2 AMP MAXIMUM**
- **WIRE LEADS: 22 AWG**

# LOCKMOD TEMPLATE

QCL170EU

QCL170EL

QCL170X

## NOTES:

1. Use QCL170 templating for door preparation. provide additional prep, as shown, for electric lock modifications (models containing EU, EL, OR X).
2. Provide additional cutout from appropriate face of door for wire entry access to raceway through door.

