



Installation Instructions for Keypad EZ Remote Unlock

Finishing door preparation

Use these instructions only if you want to remotely unlock your Keypad EZ Lock. This feature offers a convenient way to unlock a door for visitors, contractors, and others who either do not have a Keypad EZ Personal Identification Number (PIN) or may have forgotten their PIN.

Examples of common use include:

- receptionist entries
- security guard stations
- receiving and shipping docks

1 Finish door preparation

- 1 Complete the standard door preparation for your cylindrical, mortise, or exit hardware trim unit described in the installation instructions. But **DO NOT** install the mortise case, cylindrical latch, or any other lock hardware yet.

For cylindrical locks:

- With a 1" diameter drill bit extending through the latch hole, drill on the opposite side of the 2 1/8" bored hole to a minimum depth of 1" as shown in Figure 1.

For mortise locks:

- **Optional:** With a 1" diameter drill bit extending into the mortise cavity, drill out an additional 1" as shown in Figure 2.

For exit hardware trim units:

- No additional preparation is required.

2 Drill channel through door

Caution: Check with your local fire marshal before drilling a fire-rated door. Drilling through a fire-rated door may void the fire label.

Caution: Be careful to drill straight through the door, making sure the drill does not break through the face of the door.

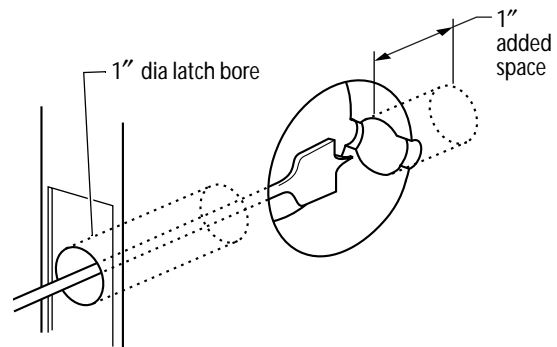


Figure 1 Extending the latch bore to provide for wire connections

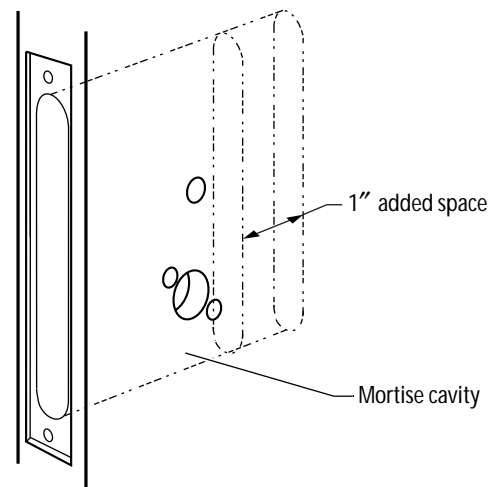


Figure 2 Extending the mortise cavity for wire connections

Pulling wire to lock

- Using a three to four foot drill bit, drill a 3/8" diameter channel, through the edge of the door, to or from the center of the nearest hinge preparation.

Note: For exit hardware trim installations, drill the channel from the hinge to the harness hole and feed the wires through that hole, making final connections inside the battery compartment.

3 Install electric hinge or door transfer loop

There are two standard ways to extend the momentary switch wires from the frame to the door:

- Using an electric hinge, Stanley CECB179 or equivalent. Contact your local BEST sales office for specific ordering information.
- Using a BEST 8WDTL door transfer loop, or equivalent.

Follow the manufacturer's instructions to properly install the electric hinge or door transfer loop.

4 Finish lock installation and make remote unlock connections

At the point of making the motor and sensor connections, you need to also make the remote unlock connection.

Note: The remote unlock connection wires are brown and are not terminated. Use wire nuts or crimp connectors to make the remote unlock connections.

- 1 Cut the remote unlock wires to remove the epoxy sealant. Strip the remote unlock wires and the wires from the remote unlock switch. See Figure 3.
- 2 Make the remote unlock connection. The wires are not polarized so it does not matter which wires are mated.
- 3 Install a momentary push-button switch at a convenient but secure location.
- 4 Make the final wire connections to the switch.

5 Test remote unlock switch

Complete this test after the Keypad EZ Lock is completely installed.

- Press and release the momentary switch.

The green light flashes and the locking mechanism unlocks. Then, after the programmed unlock duration (default is 3 seconds), the locking mechanism relocks.

Note: You do NOT need to keep holding the switch button down to keep the lock unlocked.

The remote unlock switch will not operate if:

- the deadbolt is thrown
- the battery is in the alarm state.

Momentary switch and wiring requirements:

Max wire run	500 feet
Min switch voltage	5 volts
Min switch current	1 mA
Min wire gauge	26 AWG
Max switch bounce	50 mSec

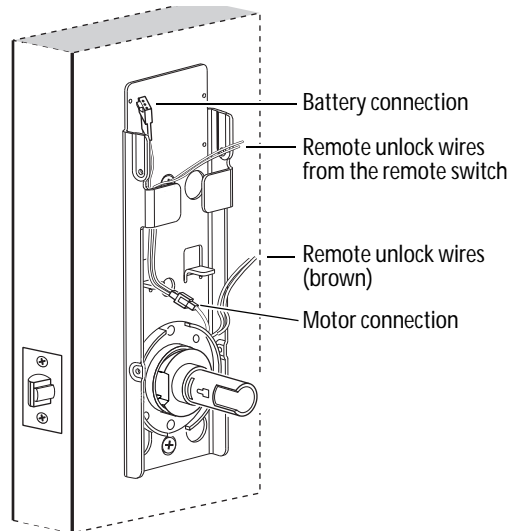


Figure 3 Making the remote unlock connection (cylindrical installation shown)