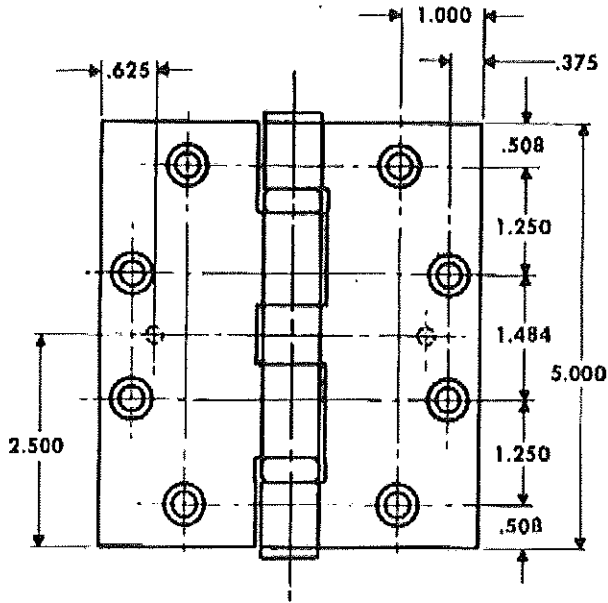
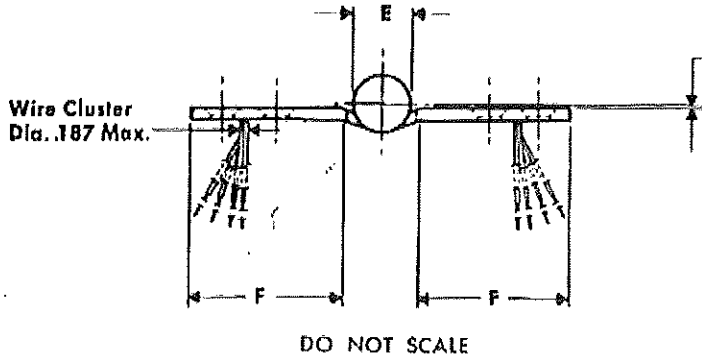


FULL MORTISE TEMPLATE BUTT HINGES WITH CONCEALED WIRES
SIZE 5 X 5 Inches



NOTE:
 Available with (4) four wires (use suffix-54),
 (6) six wires (use suffix-56) or (8) eight wires
 (use suffix-58)

NOTE:
 Available with both concealed wires and a
 concealed switch.



1/2" (1/2" clearance between parallel leaves
 when hinge is closed.)

Drill a hole in the hinge reinforcement large
 enough to allow the wires and connectors
 (wire nuts) to pass through freely.

Both faces of the hole should be deburred
 and primed to help avoid damaging wire
 insulation.

Use a JB-2 Junction Box. See template
 #T90-38R

DO NOT SCALE

CLASS NUMBER		Gauge of Metal	(E) Outside Diameter	(F) DISTANCE FROM EDGE OF LEAF TO SWAGE LINE
Steel Hinges	Nonferrous Hinges			5 X 5
CEFBB179	CEFBB191	.146	.669	2 1/16
CEFBB168	CEFBB 199	.190	.748	1 31/32
CECB168	CECB 199	.190	.748	1 31/32

Machine Screw Size – 1/2 X 12-24 F.H.
 1 1/4 X No. 12 F.H. for standard weight (.146) hinges
 Wood Screw Size – 1 1/2 X No. F.H. for Heavy weight (.190) hinges