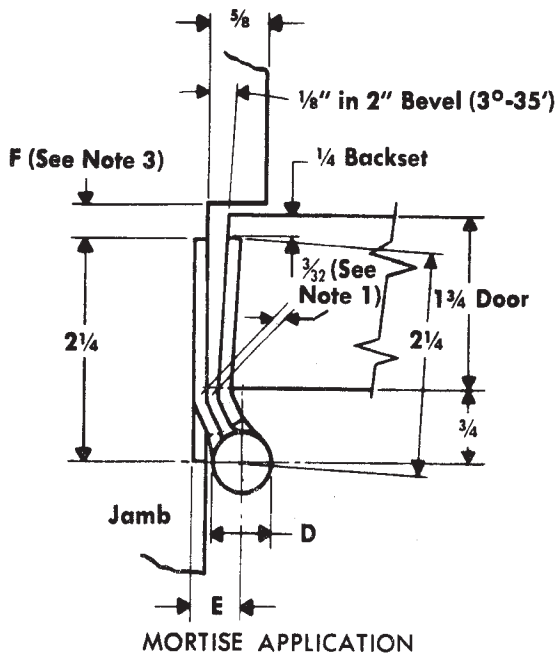
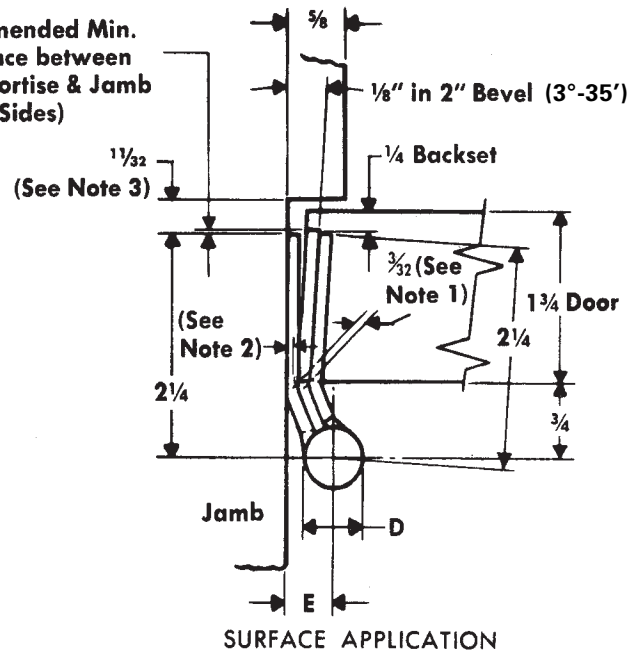


RAISED BARREL TEMPLATE BUTT HINGES FOR DOORS WITH BEVELED EDGE HINGE STILES

Size: 5 x 4 1/2"



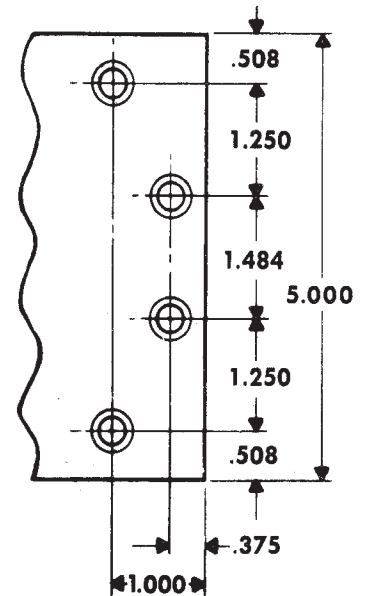
1/32 Recommended Min. Clearance between Door Mortise & Jamb Leaf (3 Sides)



NOTES:

- 1 Clearance between leaves on plane of door face.
- 2 Side clearance between door and frame governed by depth of mortise in door (3/32 between door and frame suggested).
- 3 Recommended for approx. 1/16 swinging clearance between door and stop.
- 4 For raised barrel mortise and surface applications on square stile door installations, see template drawing T50-13.

DO NOT SCALE



CLASS NUMBER		Gauge of Metal	(D) Outside Diameter	E	F (See Note 3)
Steel Hinges	Nonferrous Hinges				
RB-CB179	RB-CB191	0.146	0.669	9/16	11/32
RB-FBB179	RB-FBB191	0.146	0.669	9/16	11/32
RB-CB1900	RB-CB1960	0.146	0.580	9/16	11/32
RB-CB1900R	RB-CB1960R	0.146	0.669	9/16	11/32
RB-CB168	RB-CB199	0.190	0.748	21/32	3/8
RB-FBB168	RB-FBB199	0.190	0.748	21/32	3/8
RB-CB1901	RB-CB1961	0.190	0.715	21/32	3/8
RB-CB1901R	RB-CB1961R	0.190	0.748	21/32	3/8

Template hinges of the hospital type conform to above screw hole location. Hospital type hinges are designated by prefix "HT" to class number. Machine Screw Size — 1/2 x 12-24 F.H.

Wood Screw Size — [1 1/4 x No. 12 F.H. for standard weight (0.146) hinges
1 1/2 x No. 12 F.H. for extra heavy weight (0.190) hinges