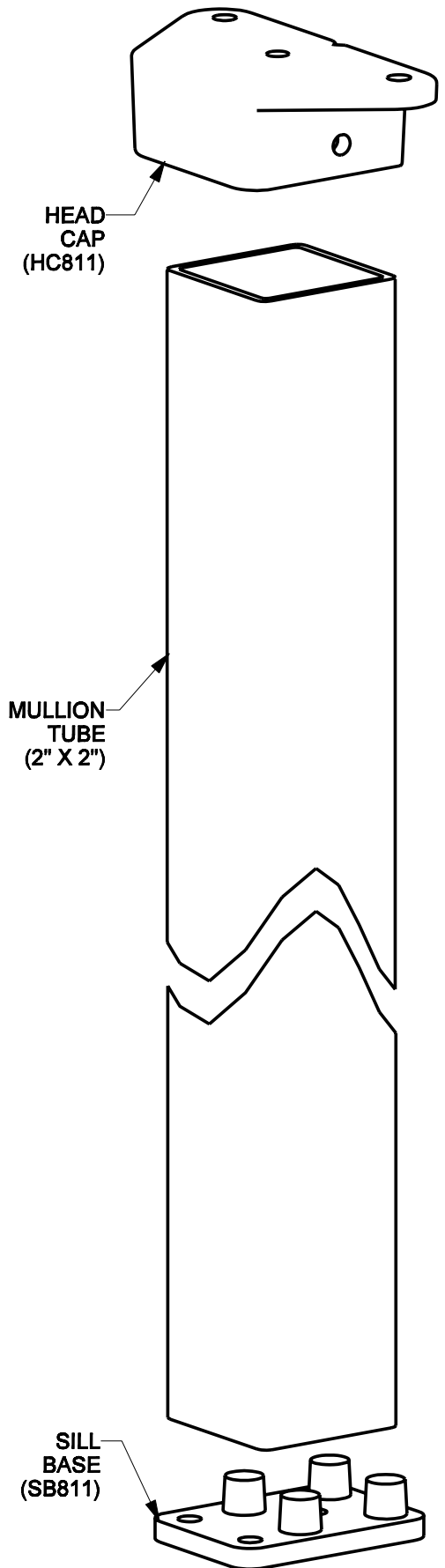


# INSTALLATION INSTRUCTIONS

## REMOVABLE MULLION: 811

1. Center **SILL BASE** between doors and flush with closed doors (FIG 1A) . Fasten in place with anchors and screws provided (FIG 1B).
2. Center **HEAD CAP** between door and flush with closed doors (FIG 2A). Mark centers for 3-mounting holes on frame, then drill and tap for 1/4-20 M.S. (FIG 2A).
3. Determine **MULLION LENGTH** (FIG 1B and 2B) Cut top of **MULLION** to determined length.
4. Place **HEAD CAP** on top of **MULLION**. Place **MULLION** around 4 locating posts on **SILL BASE** Make sure **MULLION** is seated on **SILL BASE** (FIG 1B). With **MULLION** in position fasten **HEAD CAP** to the frame (FIG 2B).
5. Install 2 1/4-20 MS in **HEAD CAP** to secure **MULLION**.



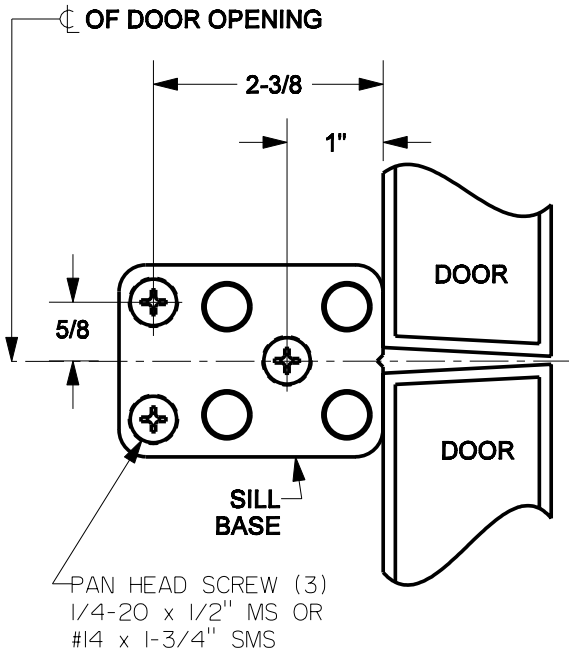


FIG 1A

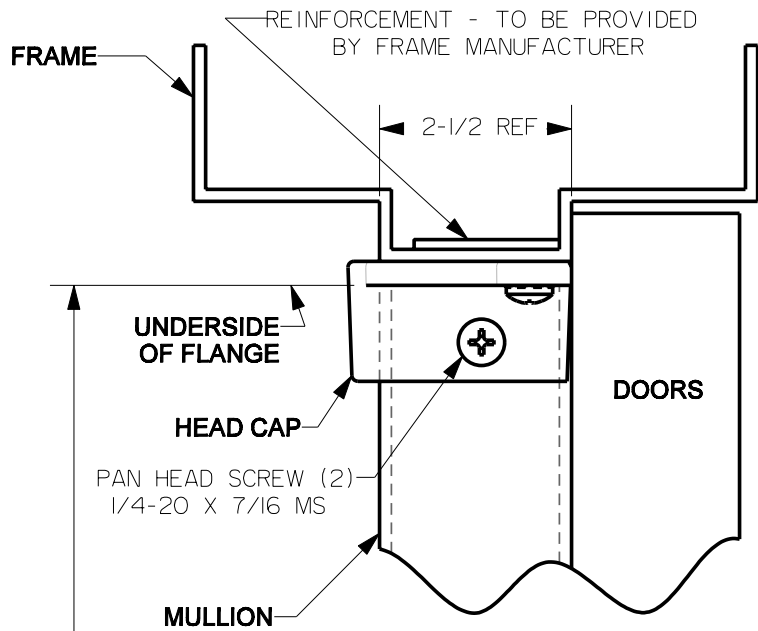
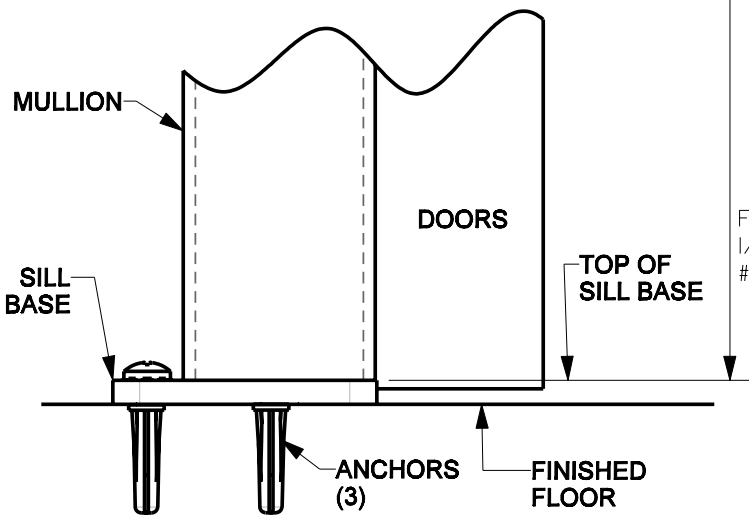


FIG 2B

MULLION LENGTH  
CUT TUBE 1/16" LESS THAN  
THIS MEASUREMENT



**THRESHOLD APPLICATION**

When **THRESHOLD** is used apply **SILL BASE** to finished floor and cut **THRESHOLD** to fit around **SILL BASE**

FIG 1B

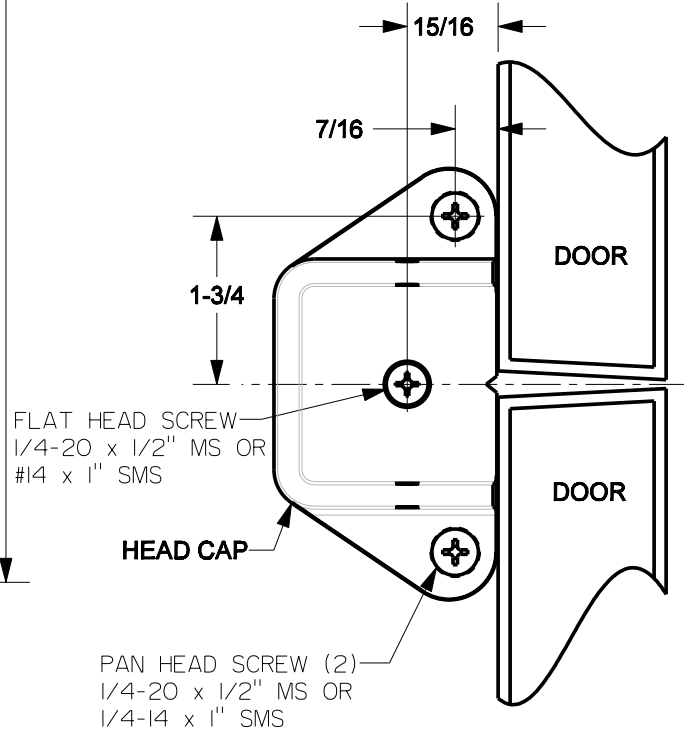


FIG 2A



DRWG 01903-11-000 DATE 8/19/03 REVISION A  
**Precision Hardware, Inc.**  
 P.O. Box 74040, Romulus, MI 48174-0040  
 www.precisionhardware.com