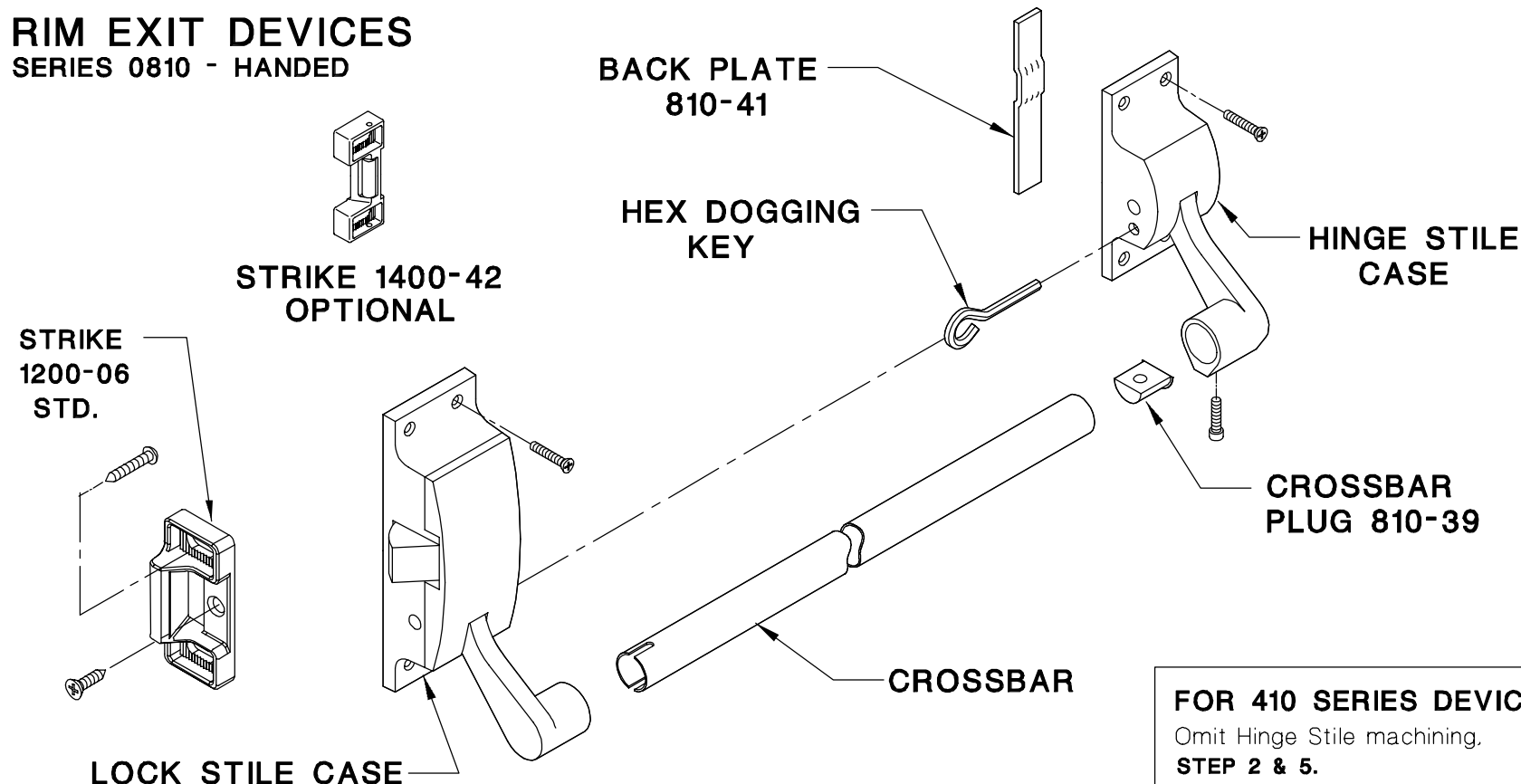


INSTALLATION INSTRUCTIONS

RIM EXIT DEVICES SERIES 0810 - HANDED



FOR 410 SERIES DEVICES
Omit Hinge Stile machining.
STEP 2 & 5.

1 DOOR PREPARATION

- Circle the following.
 - STRIKE NO.**, Dimension "**X**", and **BACKSET** in chart below per **ILLUSTRATION 1** or **ILLUSTRATION 2** for appropriate installation and strike specified.
 - FUNCTION** and **GROUP No.** in "**HOLE DRILLING SCHEDULE**".
- Close door. Mark horizontal centerline on inside face of door 39- 1/2" from finish floor as shown for **DEVICE**. (Continue horizontal centerline to outside face of door if Trim is specified). Mark horizontal centerline 39-15/16" from finished floor on door stop as shown for **STRIKE**.
- Mark vertical centerline at lock side using dimension "**X**". Mark vertical centerline at hinge side case using dimension "**Y**" from **STEP 2**. (Mark vertical centerline at lock side using backset dimension on outside face of door if Trim is specified). **CAUTION:** Vertical centerlines on both sides of the door should be the same dimension from the edge of the door.
- Tape Lock Stile Case Template (and Trim Template if Trim specified) to the door so that centerlines on template line up with centerlines on door. Mark centers for the Holes required per the '**HOLE DRILLING SCHEDULE**' (and Trim Template if Trim specified).
- Tape Hinge Stile Case Template to the door at hinge side so that the centerlines on the template line up with the centerlines on the door. Mark centers for 4 screw holes.
- Fold Strike Template. Place on door stop with smaller flap against the door so that horizontal centerline on template lines up with horizontal centerline on door stop. Mark centers for 2 screw holes on door stop.
- Drill holes in door and door stop as directed on templates.
- For 810H Device less Trim install cylinder with Cylinder Back Plate. Tailpiece length should be 1/4" to 5/16" (**SEE STEP 3**) from inside face of the door.

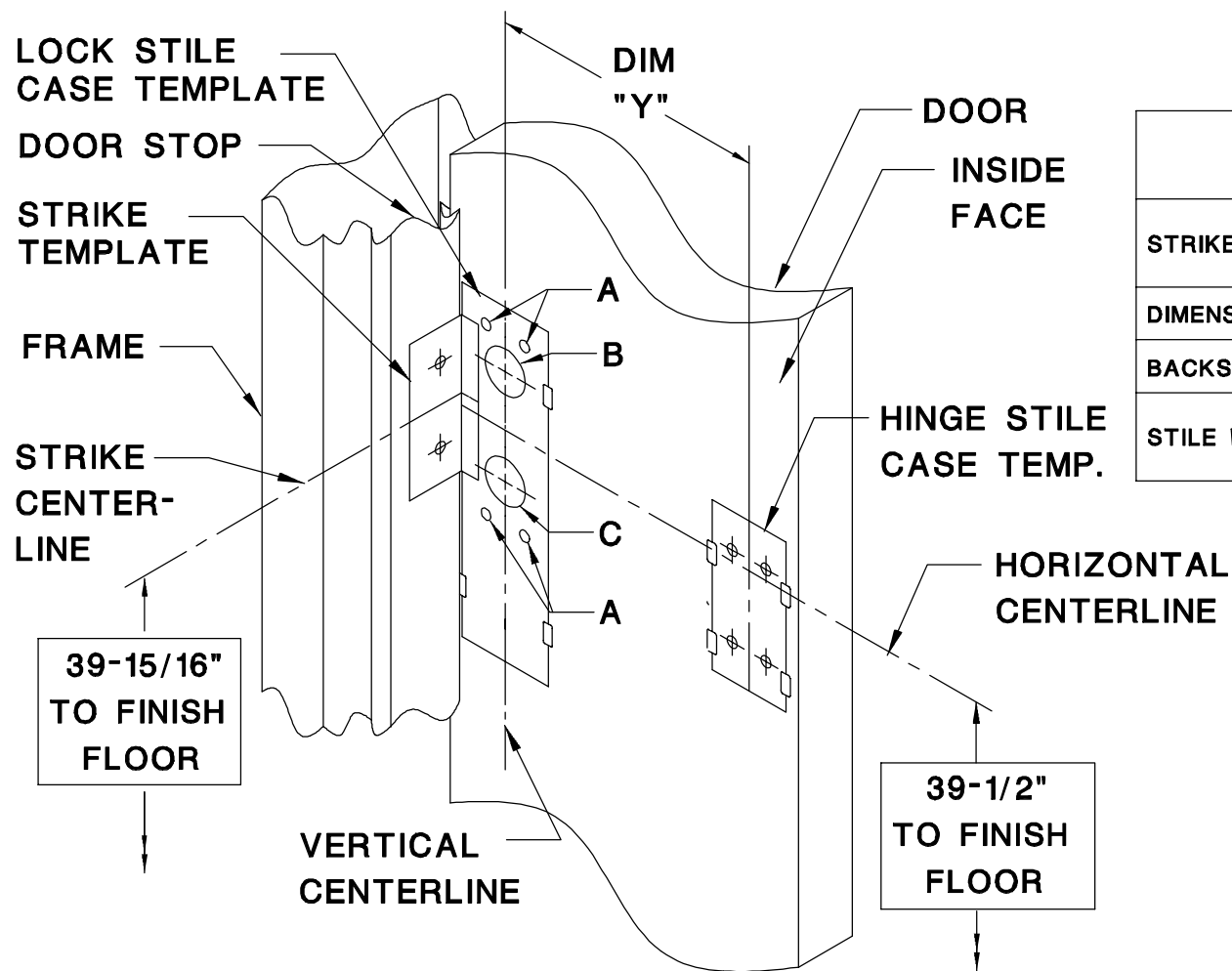
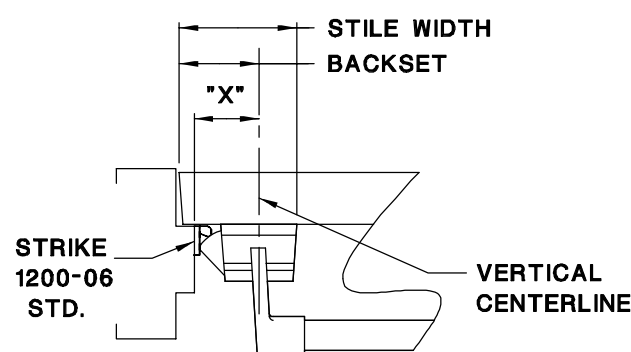
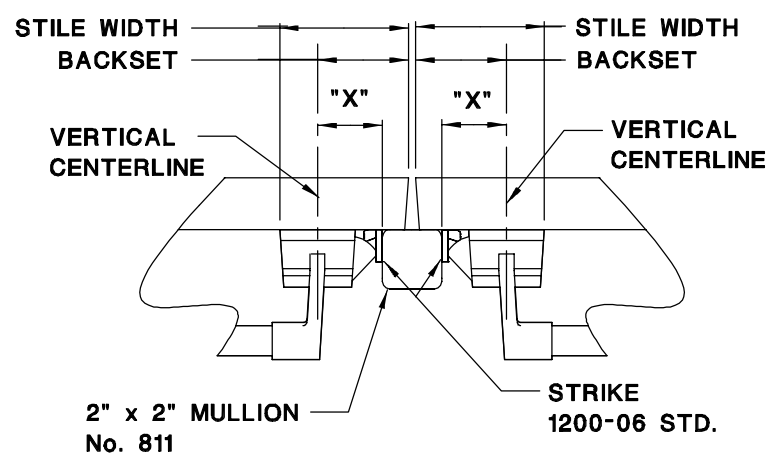


ILLUSTRATION 1



Single Door with Rim Device

ILLUSTRATION 2



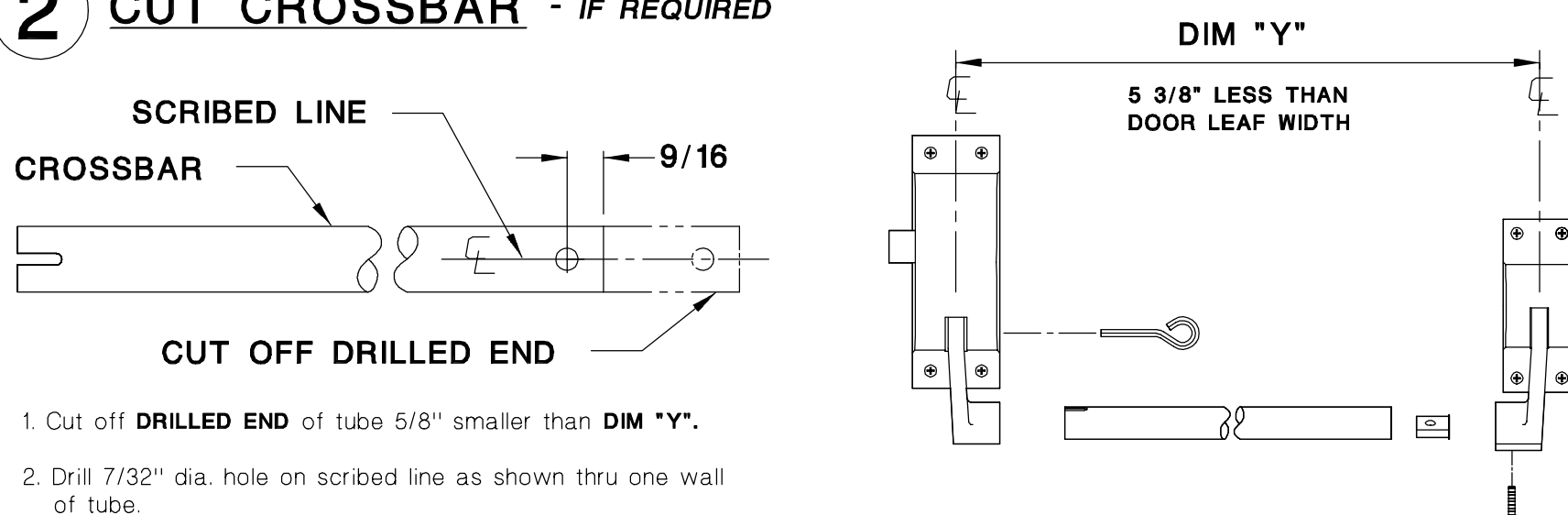
Pair of Doors with Rim Devices and Mullion

STRIKE No.	SINGLE DOOR		PAIR OF DOORS WITH 811 MULLION	
	1200-06 1200-16	1400-42 ALUMINUM	1200-06 1200-16	1400-42 ALUMINUM
DIMENSION 'X'	2-1/4"	2-1/8"	2-1/4"	2-1/8"
BACKSET	2-3/4"	2"	3-1/8"	3"
STILE WIDTH	4-1/4" MIN.	3-1/2" MIN.	4-5/8" MIN.	4-1/2" MIN.

HOLE DRILLING SCHEDULE			
GROUP	FUNCTION	B, B1, B2	C
1	N,NP,HD,KD,LD	NO	NO
2	C,H,KR,LR	YES	NO
3	HT,K,A,L,A	YES	YES
4	HTA,KAA,LAA	NO	YES

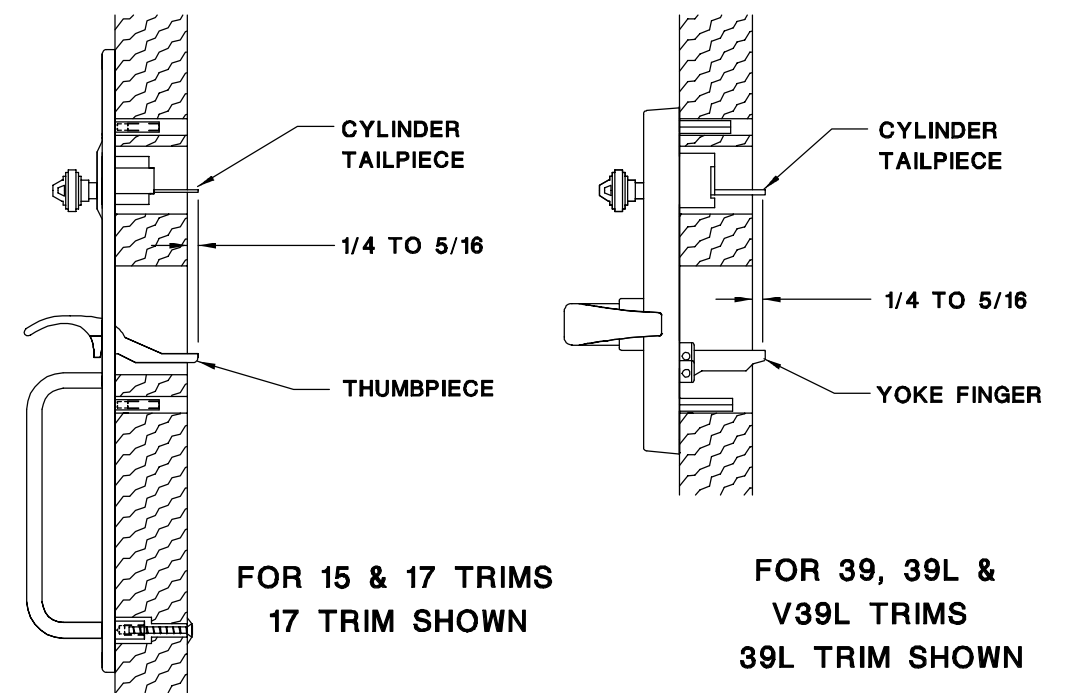
* THE LETTERS FOLLOWING THE TRIM NUMBER DESIGNATES THE FUNCTION OF THE DEVICE. EG. - DEVICE NUMBER 810x39KR IS AN 810 DEVICE, 39 TRIM, KR FUNCTION.

2 CUT CROSSBAR - IF REQUIRED



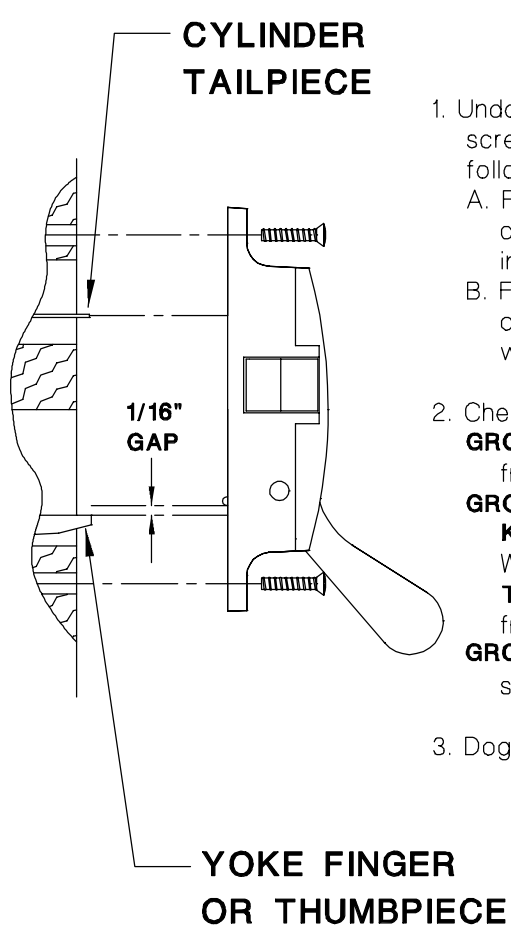
- Cut off **DRILLED END** of tube 5/8" smaller than **DIM "Y"**.
- Drill 7/32" dia. hole on scribed line as shown thru one wall of tube.

3 APPLY TRIM - WHEN SPECIFIED



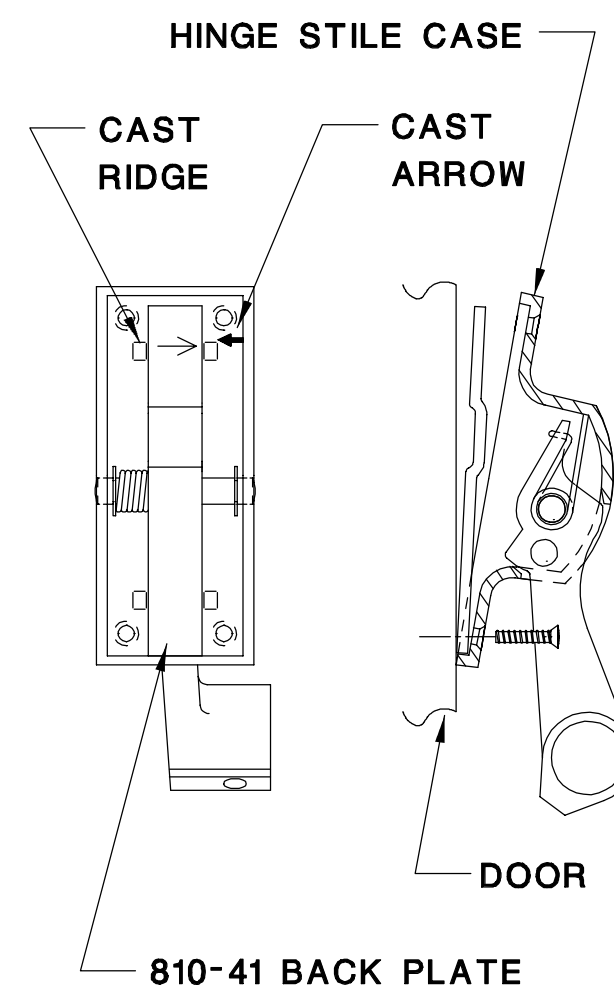
- If no trim is specified, proceed with **STEP 4**.
- For Devices in **GROUP 2 & 3**, install cylinder in the Trim. Install the Trim into the door and check length of cylinder tailpiece as shown.
- For Devices in **GROUP 3 & 4**, check length of **THUMBPIECE** or **YOKE FINGER**.

4 APPLY LOCK STILE CASE



- Undog and mount Lock Stile Case with 4 screws. For devices with outside function follow A & B below.
 - For devices in **GROUP 2 & 3**, insert cylinder tailpiece into **CYLINDER STUD** in Lock Stile Case.
 - For devices in **GROUP 3 & 4**, **THUMBPIECE** or **YOKE FINGER** must be under the **LIFT** with 1/16" gap.
- Check functioning of Lock Case.
 - GROUP 2:** key should retract latch bolt freely.
 - GROUP 3:** key should lock and unlock **KNOB, LEVER** or **THUMBPIECE** freely. When unlocked, **KNOB, LEVER** or **THUMBPIECE** should retract latch bolt freely.
 - GROUP 4:** **KNOB, LEVER** or **THUMBPIECE** should retract latch bolt freely.
- Dog down Lock Stile Case.

5 APPLY HINGE STILE CASE



- Install Crossbar in Hinge Stile Case (FIG. 2) but do not tighten screw.
- Insert Crossbar in arm of Active Case and align slots in Crossbar with tabs inside arm.
- With arm of Hinge Stile Case dogged down, attach Hinge Stile Case to door with two bottom screws - loosely.
- Insert Back Plate between four cast ridges of Hinge Stile Case with Arrow at top pointing toward Arrow in Hinge Stile Case.
- Fasten top and bottom screws on case and tighten Crossbar screw.
- Undog device. Fasten Strike to frame and adjust so that device latches tightly without binding. Apply third center screw to strike once adjustment is complete.
- Depress Crossbar to insure free working device.