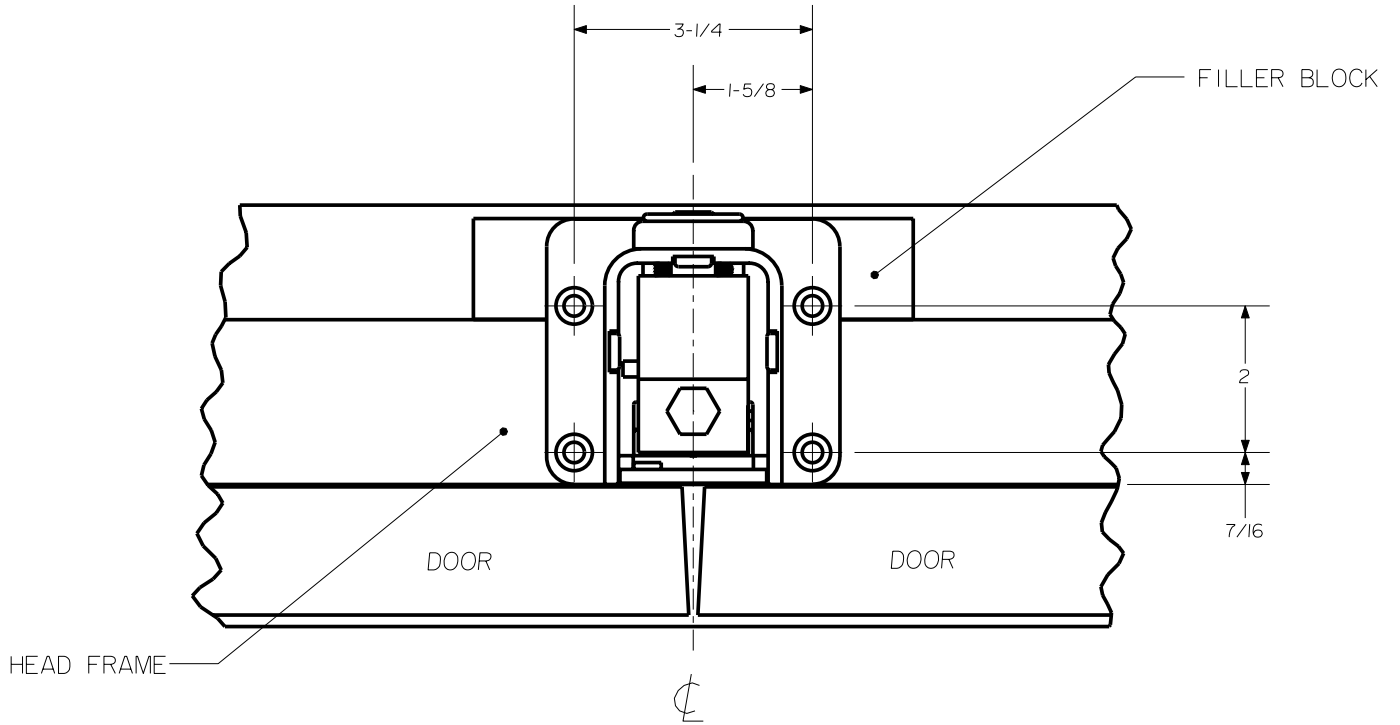


- 3 Center the Head Cap between the doors and flush with closed doors, see illustration below. Mark centers then drill and tap for 4- 1/4-20 F.H.M.S. Attach fitting.



- 4 Center the Sill Base between the doors and flush with closed doors, see illustration below. Drill a 3/8" Dia. hole, 1-3/4" deep and fasten Sill Base with the provided anchors.

