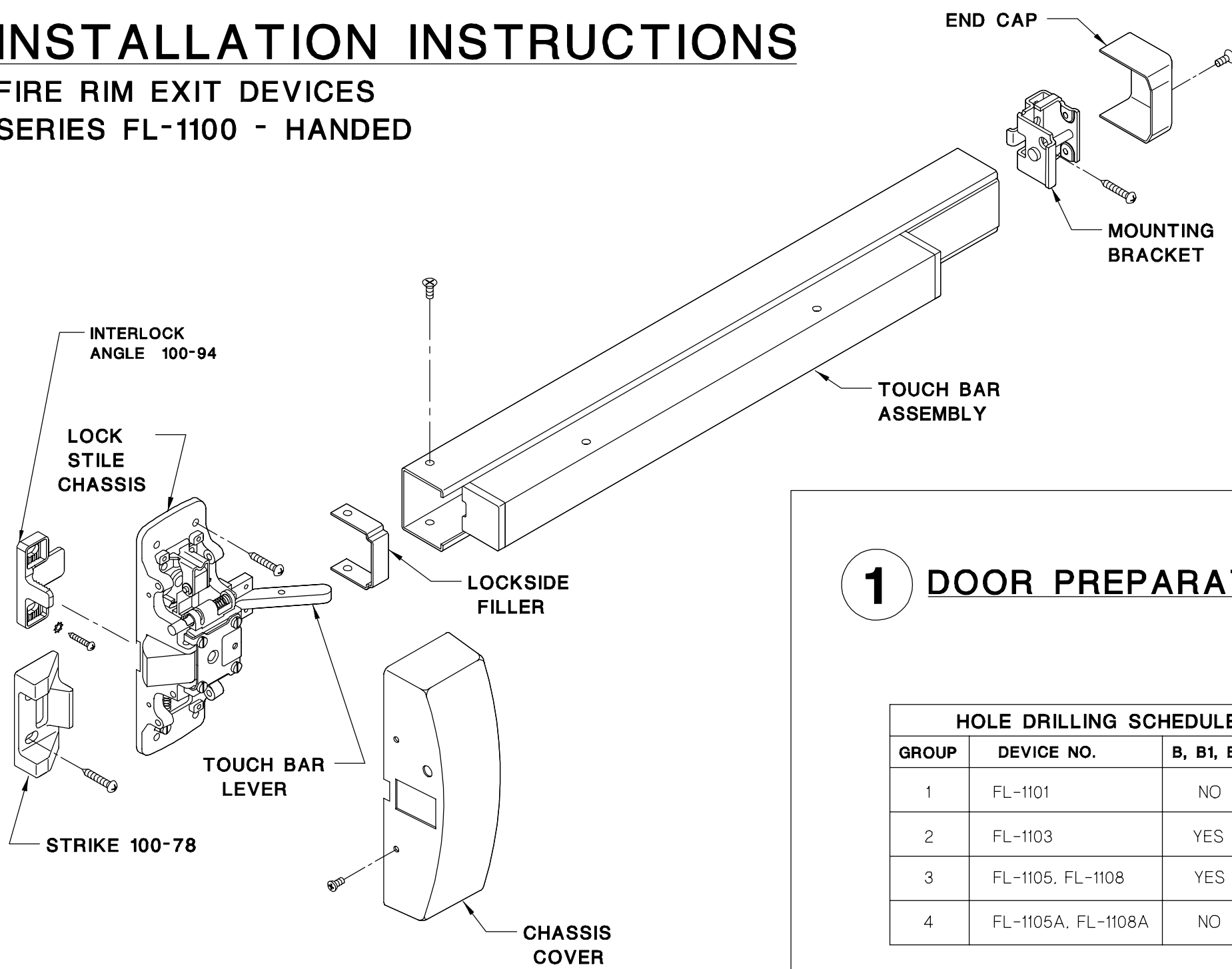


# INSTALLATION INSTRUCTIONS

## FIRE RIM EXIT DEVICES SERIES FL-1100 - HANDED

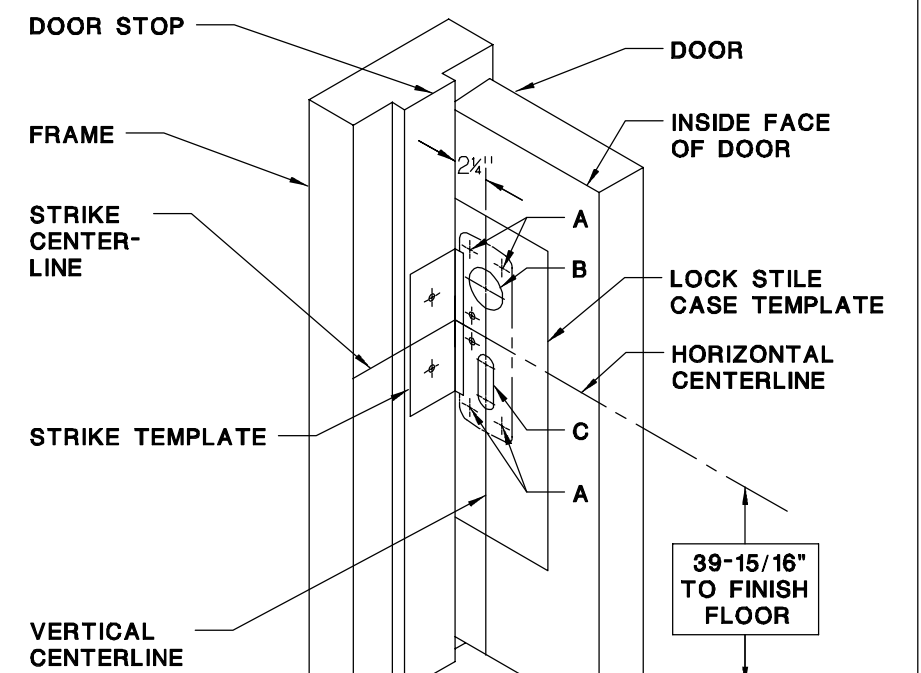


### FIRE EXIT DEVICE INSTALLATION SERIES FL-1100

The use of sex bolts or through bolts to mount the devices to the door is required for composite (wood or plastic covered) and wood core type fire doors unless an alternate mounting method is identified in the individual door manufacturer's listings (and installation instructions). The use of sex bolts to mount the devices to the door is required for steel covered composite type sheet-metal type or hollow-metal type fire doors provided without reinforcements. The use of steel machine screws to mount the devices to the door is required for steel covered composite type, sheet-metal type or hollow-metal type fire doors incorporating steel reinforcements.

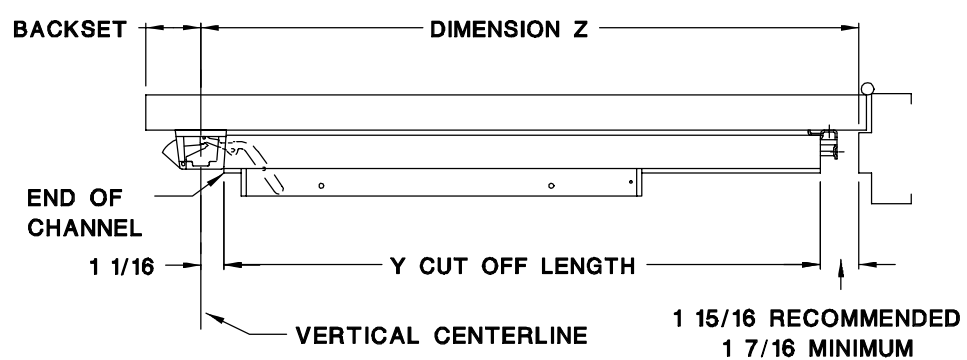
## 1 DOOR PREPARATION

HOLE DRILLING SCHEDULE			
GROUP	DEVICE NO.	B, B1, B2	C
1	FL-1101	NO	NO
2	FL-1103	YES	NO
3	FL-1105, FL-1108	YES	YES
4	FL-1105A, FL-1108A	NO	YES

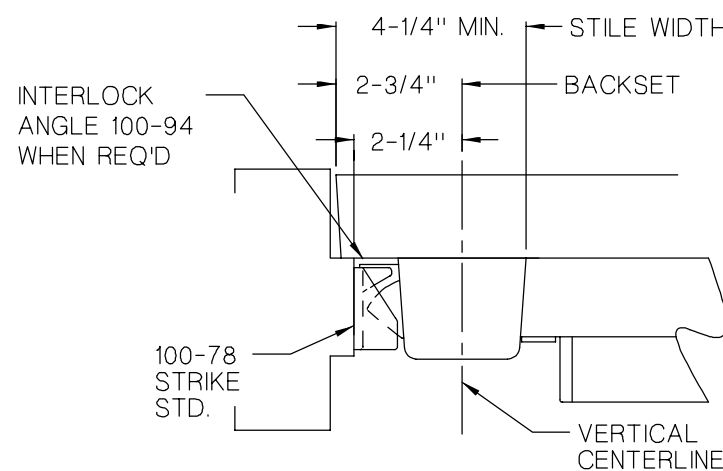
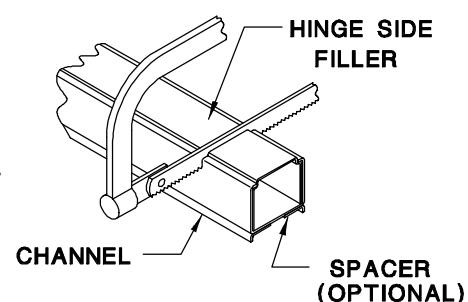


- Circle the following:  
A. **ILLUSTRATION 1** or **ILLUSTRATION 2** for appropriate installation.  
B. **DEVICE NO.** and **GROUP NO.** in 'HOLE DRILLING SCHEDULE'.
- Close door. Mark horizontal centerline on inside face of door and on lock side door stop 39-15/16" from finish floor as shown. (Continue horizontal centerline to outside face of door if Trim is specified.)
- Mark vertical centerline at lock side using dimension 2-1/4" (Mark vertical centerline at lock side using backset dimension on outside face of door if Trim is specified).  
**CAUTION:** Vertical centerlines on both sides of the door should be the same dimension from the edge of the door.
- Tape Lock Stile Case Template (and Trim Template if Trim specified) to the door so that centerlines on the Template line up with centerlines on door. Mark centers for the Holes required per the 'HOLE DRILLING SCHEDULE' (and Trim Template if Trim specified).
- Fold Strike Template. Place on door stop or mullion and against face of door as indicated on the template, aligning the horizontal centerline on template with horizontal centerlines on door stop and door. Mark centers for two strike screw holes on door stop or mullion.  
**NOTE:** For 3 hour rated pairs of doors or a 3 hour single door over 8' feet high, mark centers and drill two additional screw holes in face of door for mounting Interlock Angle 100-94.
- Drill holes in door and frame as directed on templates.
- For FL-1103 Device less Trim install cylinder with Cylinder Back Plate. Tailpiece length should be 1/4" to 5/16" (**SEE STEP 3**) from inside face of the door.

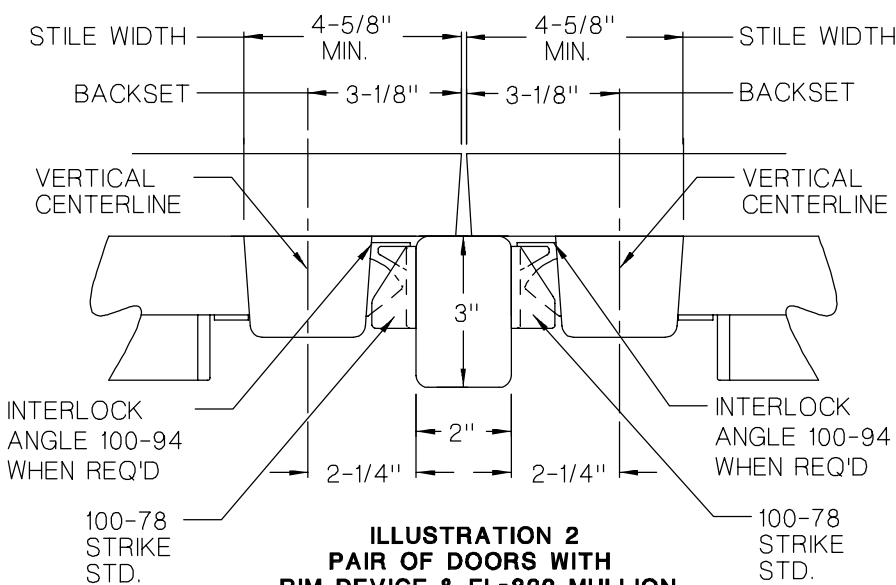
## 2 CUT DEVICE - IF REQUIRED



- Determine cut off length "Y" by subtracting 3" from dimension "Z".
- Mark cut off point (hinge side filler must be all the way inside of channel).
- Cut off channel, hinge side filler, spacer (if specified) and deburr.

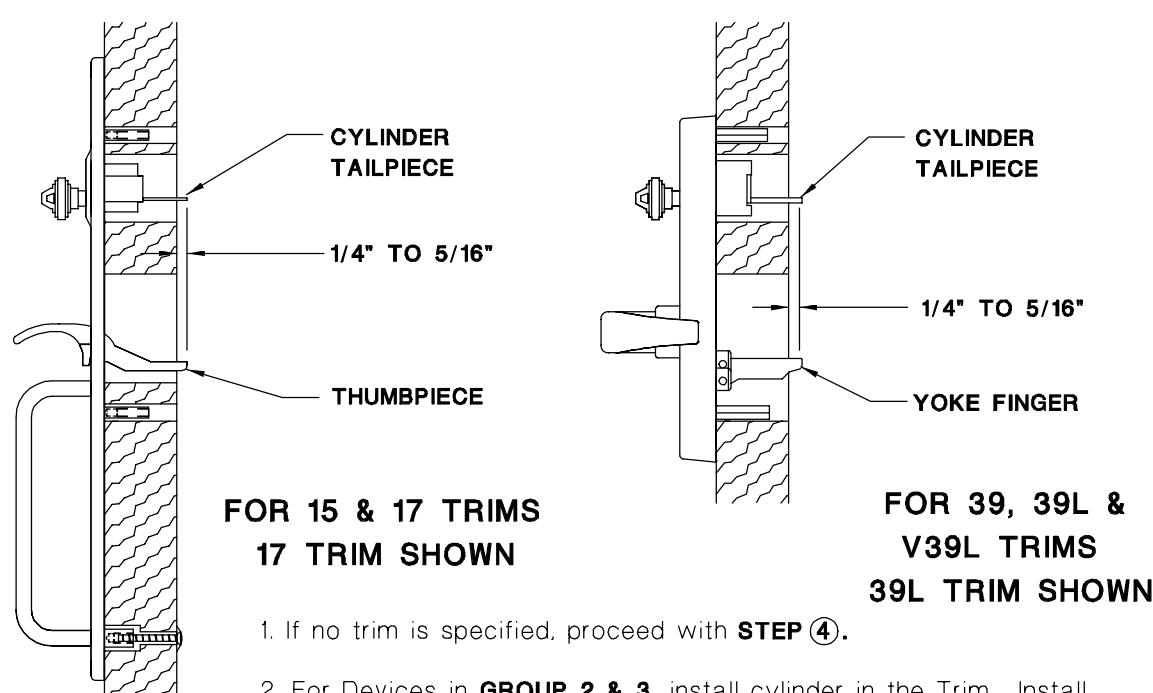


**ILLUSTRATION 1  
SINGLE HOLLOW METAL DOOR  
WITH RIM DEVICE**



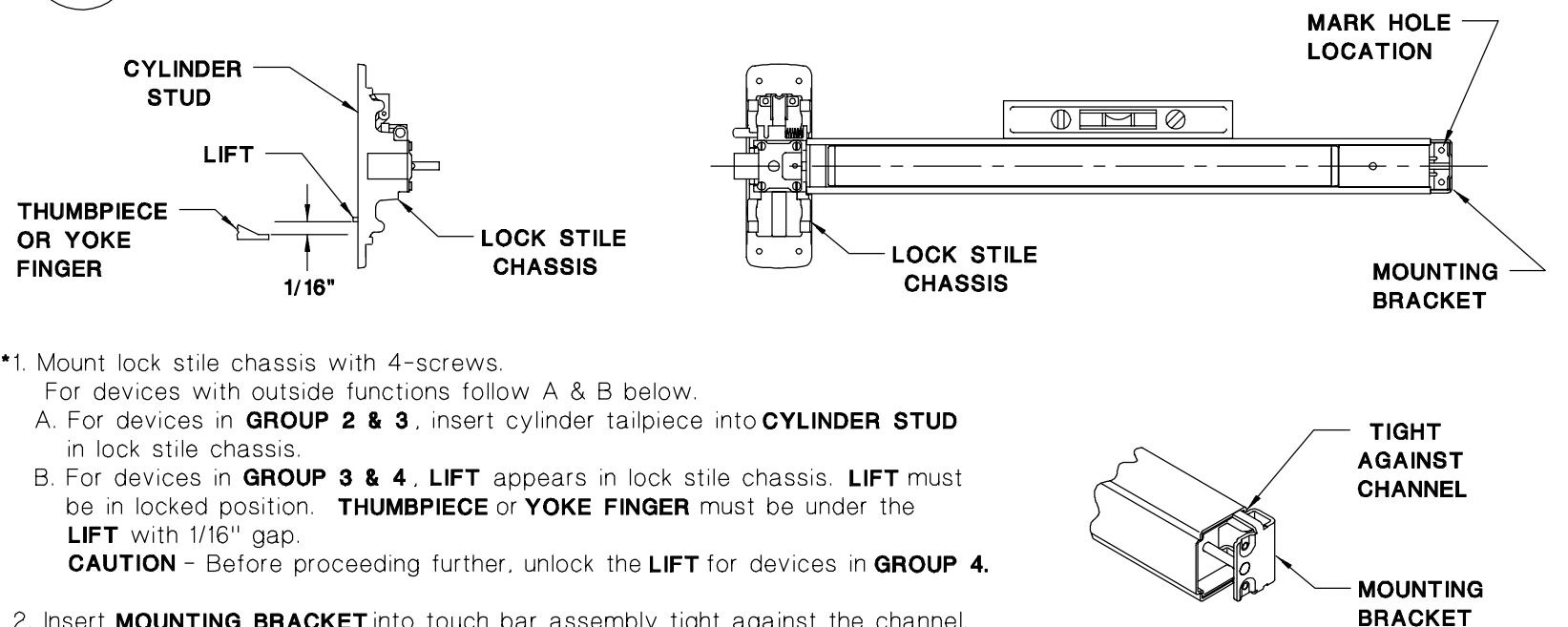
**ILLUSTRATION 2  
PAIR OF DOORS WITH  
RIM DEVICE & FL-822 MULLION**

## 3 APPLY TRIM - WHEN SPECIFIED



- If no trim is specified, proceed with **STEP 4**.
- For Devices in **GROUP 2 & 3**, install cylinder in the Trim. Install the Trim into the door and check length of cylinder tailpiece as shown.
- For Devices in **GROUP 3 & 4**, check length of **THUMBPIECE** or **YOKE FINGER**.

## 4 APPLY DEVICE



- Mount lock stile chassis with 4-screws.  
For devices with outside functions follow A & B below.  
A. For devices in **GROUP 2 & 3**, insert cylinder tailpiece into **CYLINDER STUD** in lock stile chassis.  
B. For devices in **GROUP 3 & 4**, **LIFT** appears in lock stile chassis. **LIFT** must be in locked position. **THUMBPIECE** or **YOKE FINGER** must be under the **LIFT** with 1/16" gap.  
**CAUTION** - Before proceeding further, unlock the **LIFT** for devices in **GROUP 4**.
  - Insert **MOUNTING BRACKET** into touch bar assembly tight against the channel. Level device, mark and drill 2 holes for #10 sheet metal screws or #10-24 machine screws. Fasten **MOUNTING BRACKET** to door and attach **END CAP** to **MOUNTING BRACKET** with 2-screws.
  - Fasten strike to frame and adjust strike so that device latches tightly without binding.
  - Attach cover to lock stile chassis.
- To remove or install, first depress latchbolt, then depress plunger, cover may now be removed or installed.