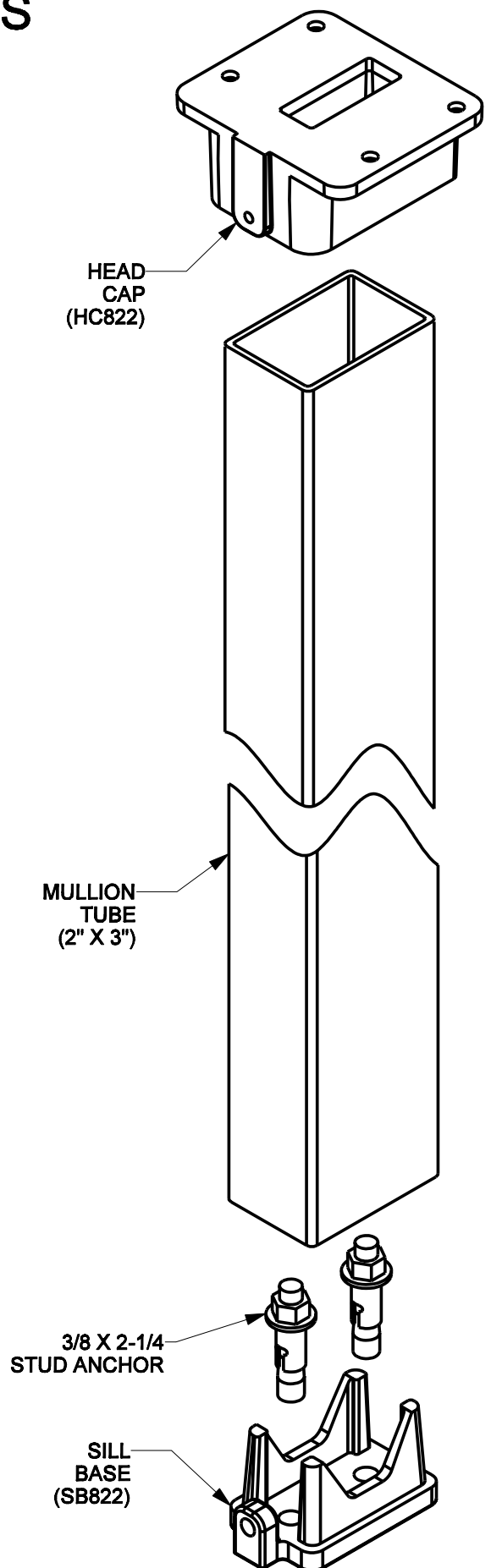


# INSTALLATION INSTRUCTIONS

## REMOVABLE MULLION: 822 & FL822

1. Center **SILL BASE** between doors and flush with closed doors (FIG 1A). Fasten in place with anchors and screws provided (FIG 1B).
2. Center **HEAD CAP** between door and flush with closed doors (FIG 2A). Mark centers for 3-mounting holes on frame, then drill and tap for 1/4-20 M.S. (FIG 2A).
3. Determine **MULLION LENGTH** (FIG 1B and 2B) Cut top of **MULLION** to determined length.
4. Place **HEAD CAP** on top of **MULLION**. Place **MULLION** around 4 locating posts on **SILL BASE** Make sure **MULLION** is seated on **SILL BASE** (FIG 1B). With **MULLION** in position fasten **HEAD CAP** to the frame (FIG 2B).
5. Tighten **SET SCREW** on the **HEAD CAP** and **SILL BASE** to secure **MULLION**.



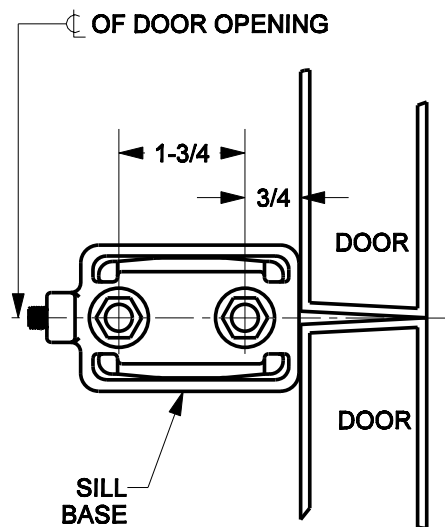
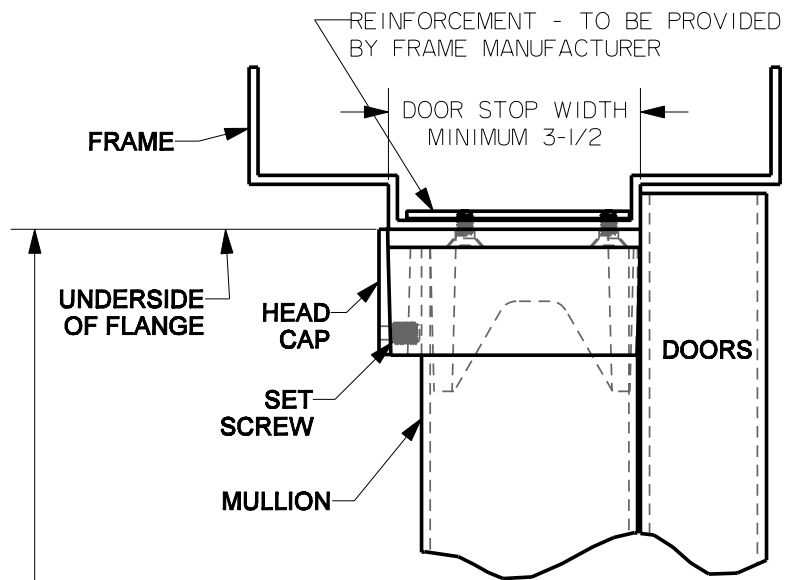


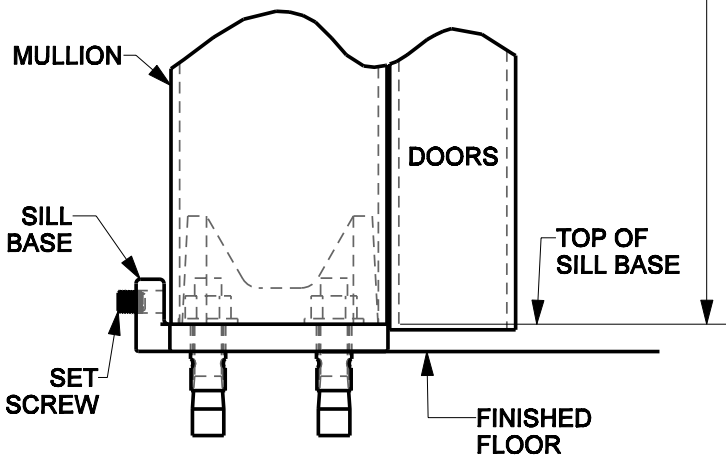
FIG 1A



NOTE:  
 For door stops less than 3-1/2 wide  
 a filler block must be provided.  
 (Not Standard) Head Cap Spacer HCS822

FIG 2B

MULLION LENGTH  
 MEASURE THIS DISTANCE  
 AND SUBTRACT 1-3/8



**THRESHOLD APPLICATION**  
 When **THRESHOLD** is used  
 apply **SILL BASE** to finished  
 floor and cut **THRESHOLD**  
 to fit around **SILL BASE**

FIG 1B

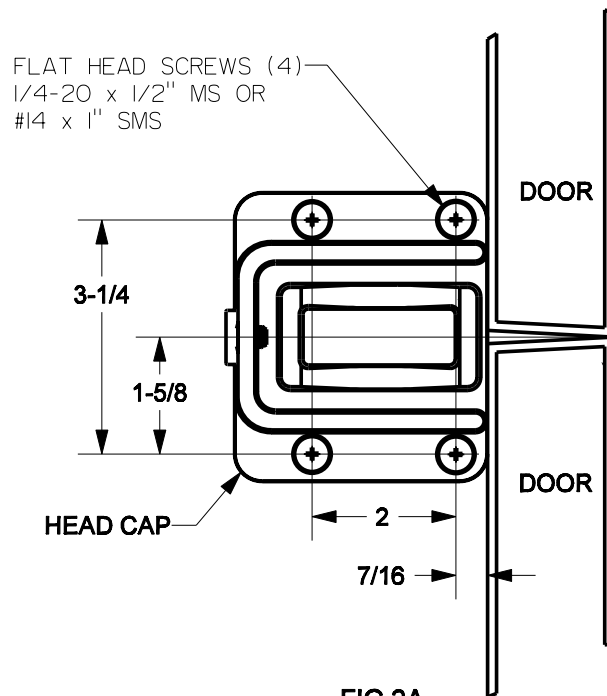


FIG 2A