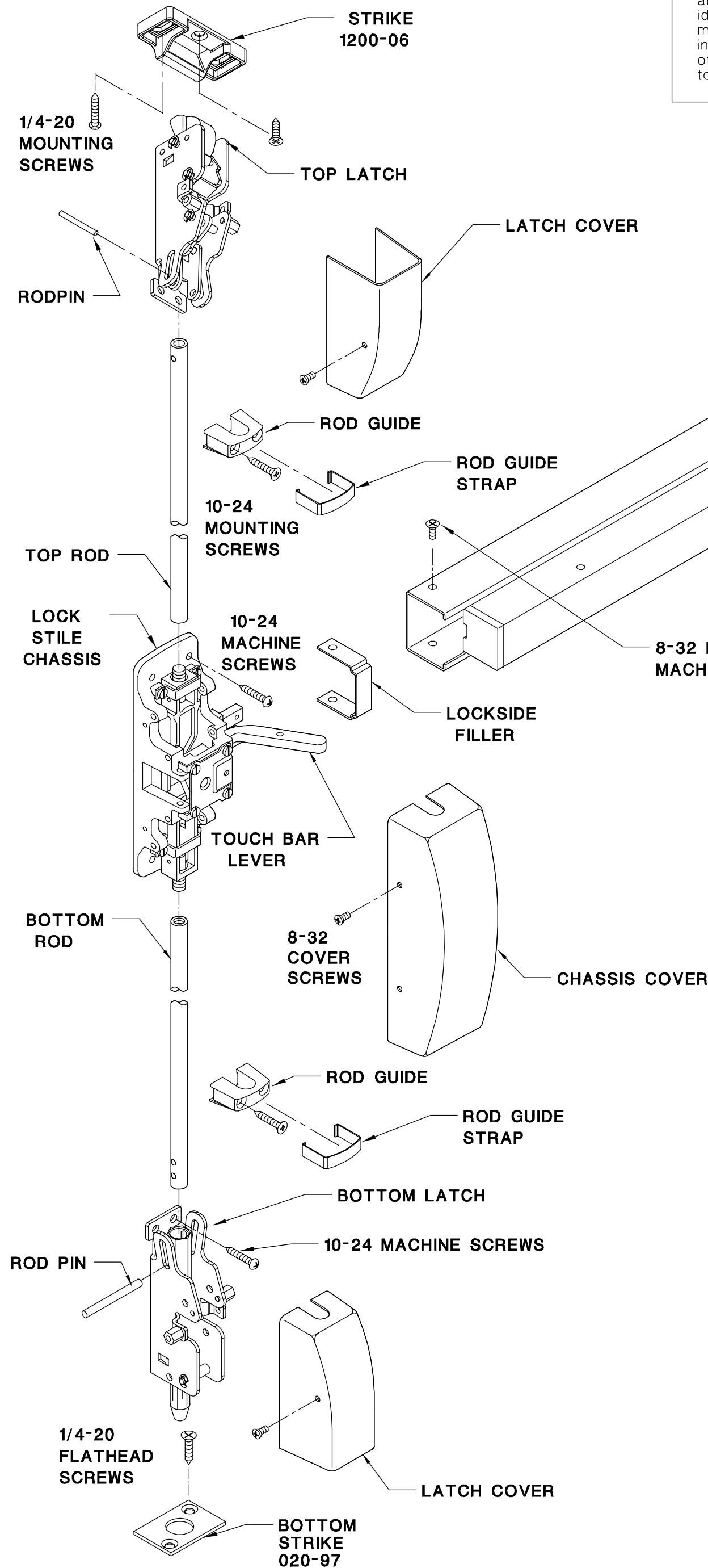


# INSTALLATION INSTRUCTIONS

## REVERSIBLE - VERTICAL ROD EXIT DEVICES SERIES 1200, FL-1200, 1200-LBR, FL-1200-LBR

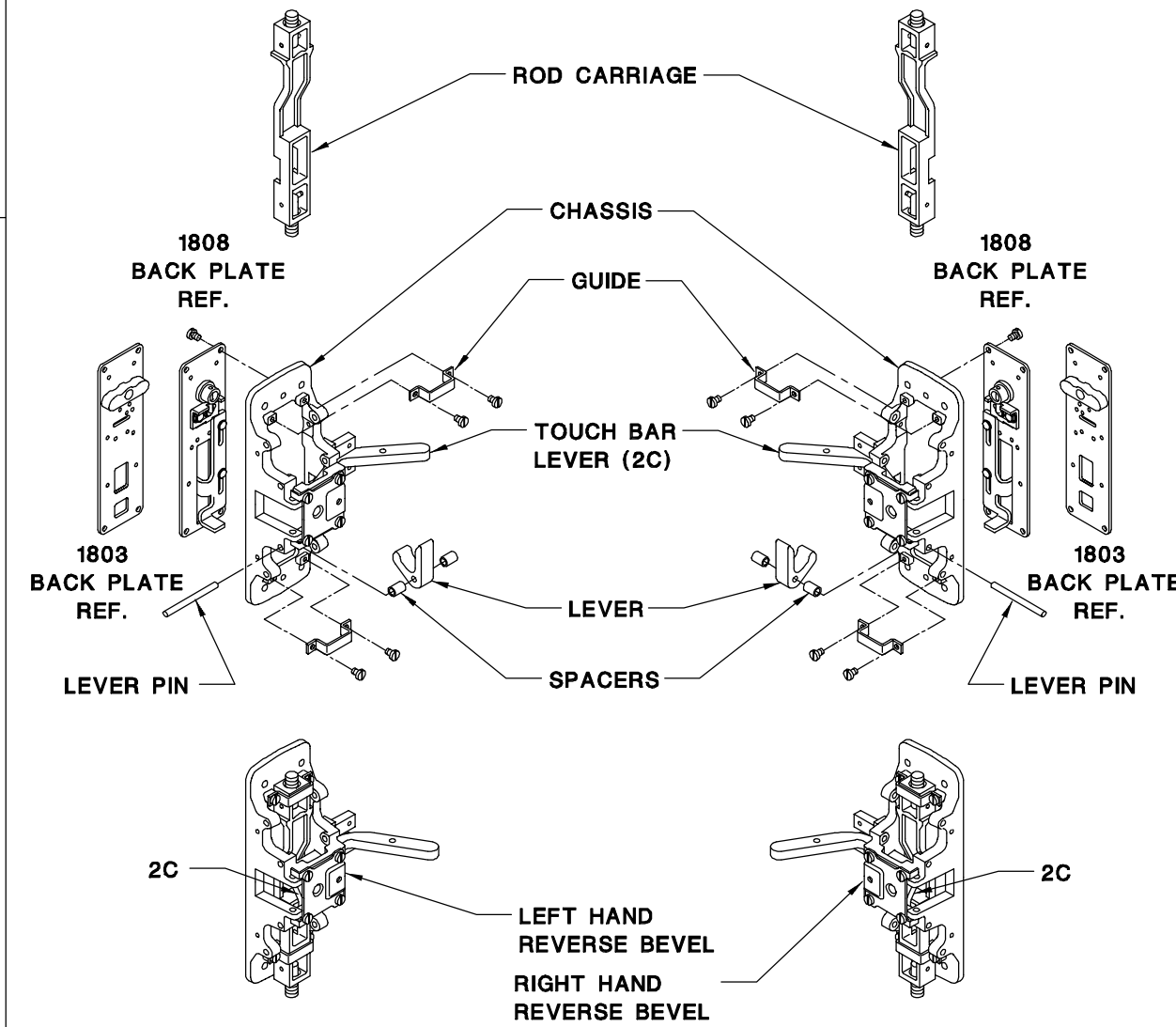


### FIRE EXIT DEVICE INSTALLATION SERIES FL-1200

The use of sex bolts or through bolts to mount the devices to the door is required for composite (wood or plastic covered) and wood core type fire doors unless an alternate mounting method is identified in the individual door manufacturer's listings (and installation instructions). The use of sex bolts to mount the devices to the door is required for steel

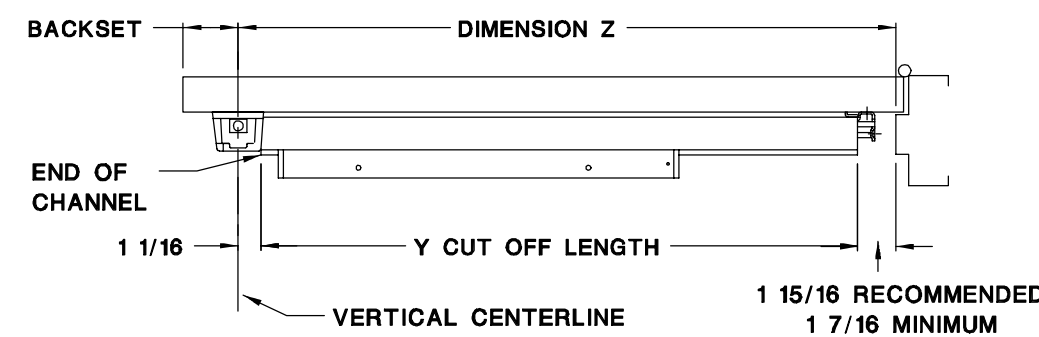
covered composite type sheet-metal type or hollow-metal type fire doors provided without reinforcements. The use of steel machine screws to mount the devices to the door is required for steel covered composite type, sheet-metal type or hollow-metal type fire doors incorporating steel reinforcements.

## INSTRUCTIONS TO CHANGE HAND



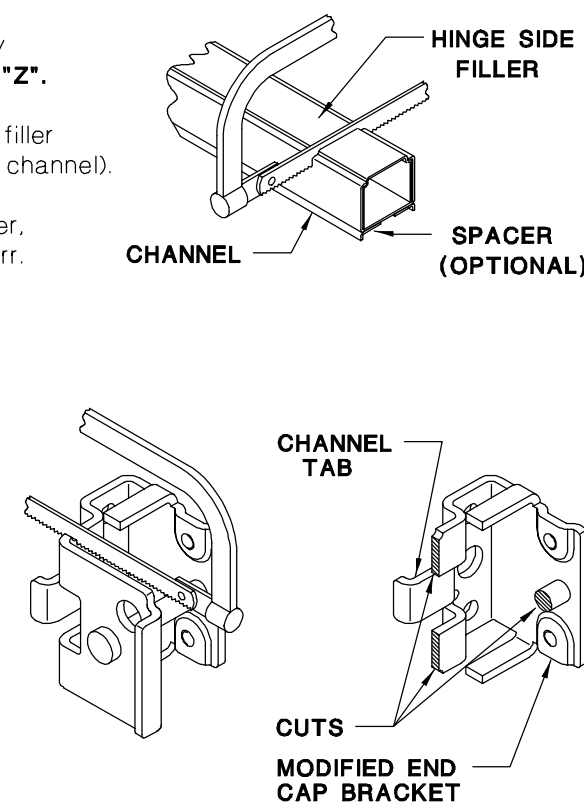
- TO CHANGE HAND:**
- Remove Parts:
    - FOR DEVICES WITH OUTSIDE FUNCTIONS ONLY. Remove Back Plate Assembly by removing 4 screws.
    - Remove guides by removing 4 screws.
    - Slide lever pin out and remove lever and spacers.
    - Remove rod carriage.
  - Reassemble Parts:
    - Rotate Chassis 180°
    - Insert rod carriage.
    - Assemble lever and spacers. (lever must be on top of Touch Bar lever)
    - Attach guides with 4 screws.
- 2E. FOR DEVICES WITH OUTSIDE FUNCTIONS ONLY. Attach Back Plate Assembly with 4 screws.

## CUT DEVICE - IF REQUIRED



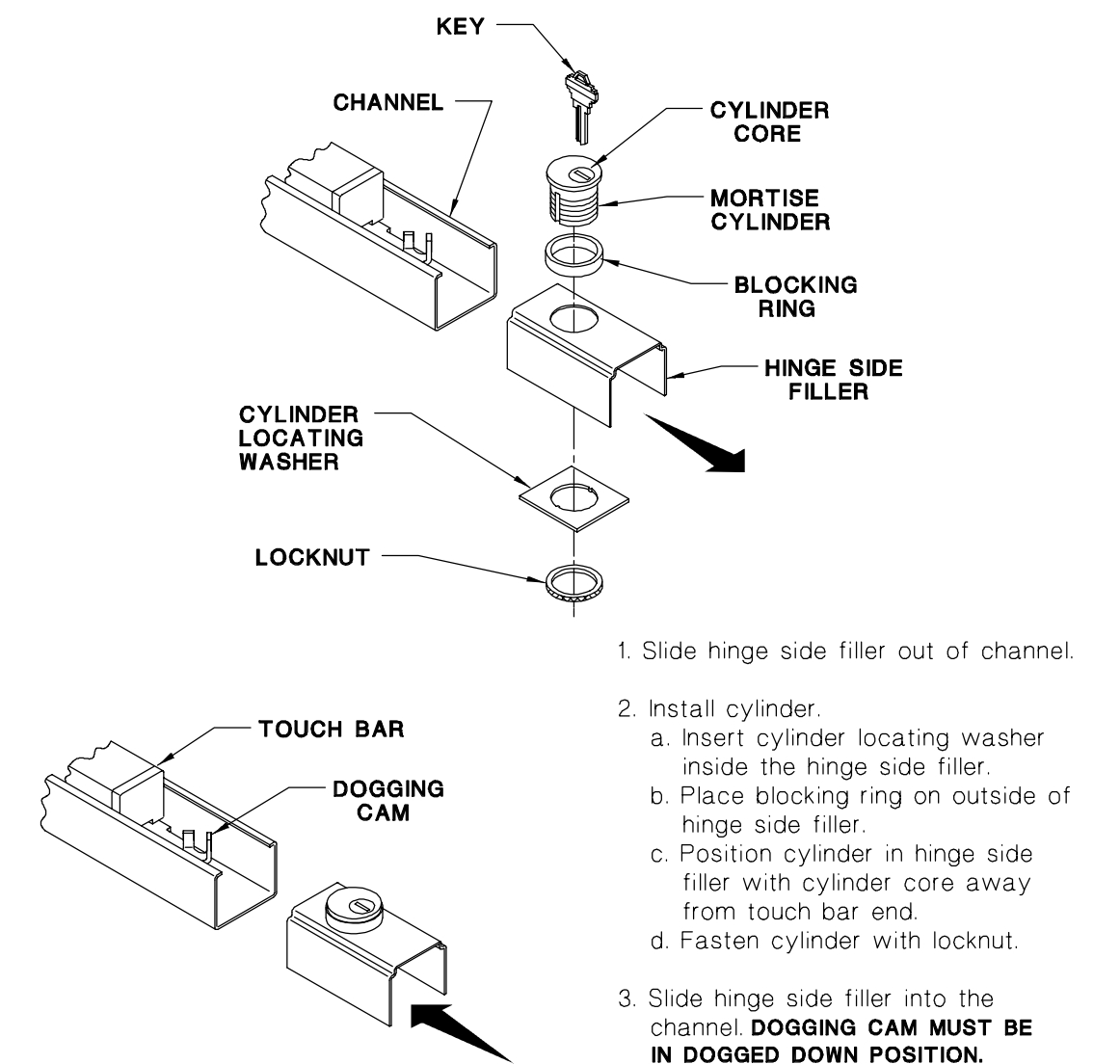
- Determine cut off length "Y" by subtracting 3" from dimension "Z".
- Mark cut off point (hinge side filler must be all the way inside of channel).
- Cut off channel, hinge side filler, spacer (if specified) and deburr.

**NOTE:** When preparing a device for a 2' 6" door the endcap bracket must be modified. Cut the bracket thru the three specified locations. (see illustration) **DO NOT** cut thru the Channel Tab. (Not required for Fire Exit Devices)



## OPTIONAL CYLINDER DOGGING

### CYLINDER INSTALLATION INSTRUCTIONS 1 1/4" LONG STANDARD MORTISE CYLINDER REQUIRED



- Slide hinge side filler out of channel.
- Install cylinder.
  - Insert cylinder locating washer inside the hinge side filler.
  - Place blocking ring on outside of hinge side filler.
  - Position cylinder in hinge side filler with cylinder core away from touch bar end.
  - Fasten cylinder with locknut.
- Slide hinge side filler into the channel. **DOGGING CAM MUST BE IN DOGGED DOWN POSITION.**