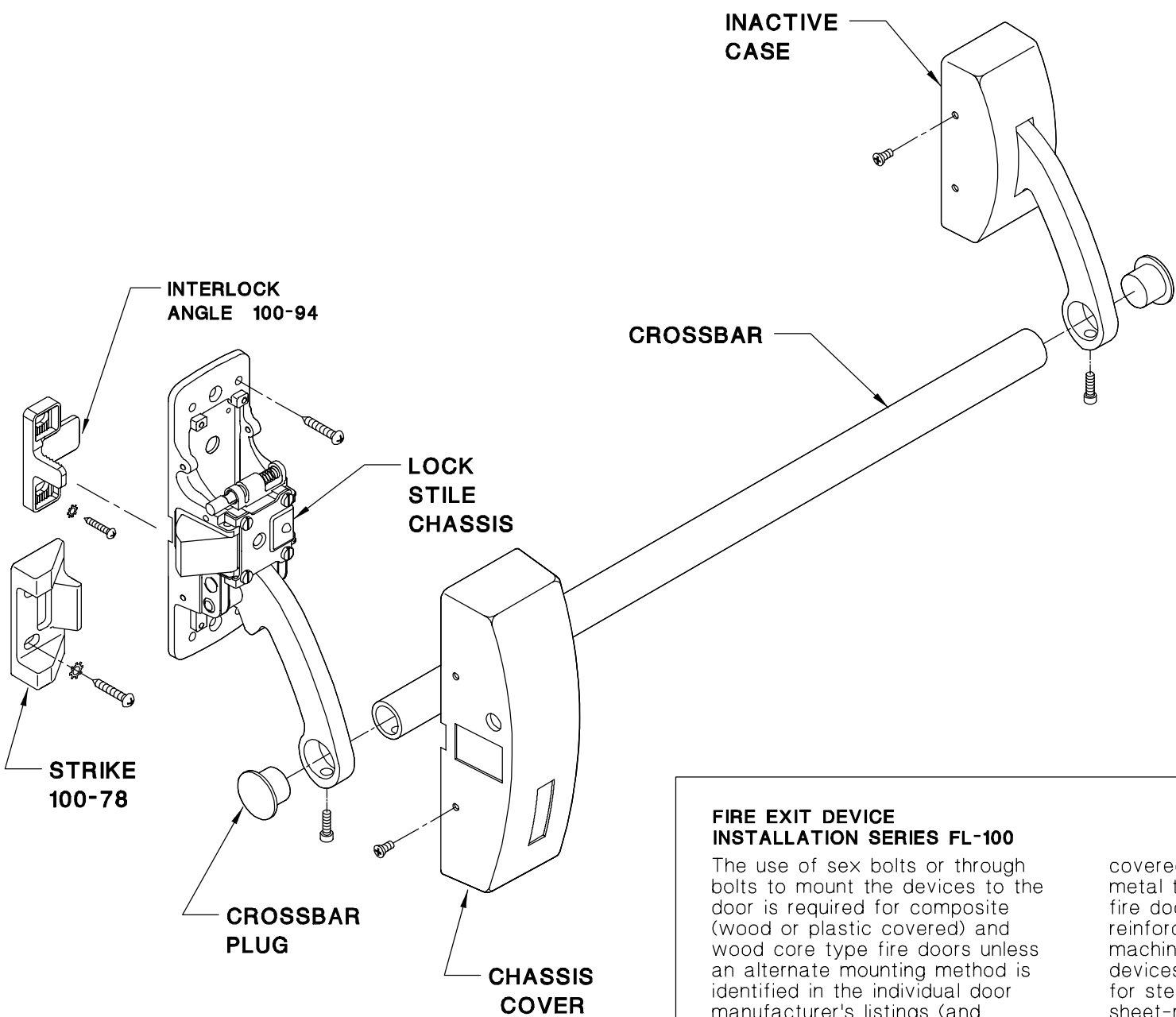


INSTALLATION INSTRUCTIONS

RIM EXIT DEVICES SERIES FL-100 - HANDED



FIRE EXIT DEVICE INSTALLATION SERIES FL-100
The use of sex bolts or through bolts to mount the devices to the door is required for composite (wood or plastic covered) and wood core type fire doors unless an alternate mounting method is identified in the individual door manufacturer's listings (and installation instructions). The use of sex bolts to mount the devices to the door is required for steel

covered composite type sheet-metal type or hollow-metal type fire doors provided without reinforcements. The use of steel machine screws to mount the devices to the door is required for steel covered composite type, sheet-metal type or hollow-metal type fire doors incorporating steel reinforcements.

1 DOOR PREPARATION

- Circle the following.
A. **ILLUSTRATION 1** or **ILLUSTRATION 2** for appropriate installation.
B. **DEVICE NO.** and **GROUP NO.** in 'HOLE DRILLING SCHEDULE'.
- Close door. Mark horizontal centerline on inside face of door and on lock side door stop 39-15/16" from finish floor as shown. (Continue horizontal centerline to outside face of door if Trim is specified.)
- Mark vertical centerline at lock side using dimension 2-1/4" (Mark vertical centerline at lock side using backset dimension on outside face of door if Trim is specified).
CAUTION: Vertical centerlines on both sides of the door should be the same dimension from the edge of the door.
- Mark vertical centerline on hinge side using dimension "Y" for door opening. To determine dimension "Y" see (SEE STEP 3).
- Tape Lock Stile Case and Hinge Stile Case Template (and Trim Template if Trim specified) to the door so that centerlines on the Template line up with centerlines on door. Mark centers for the Holes required per the "HOLE DRILLING SCHEDULE" (and Trim Template if Trim specified).
- Fold Strike Template. Place on door stop or mullion and against face of door as indicated on the template, aligning the horizontal centerline on template with horizontal centerlines on door stop and door. Mark centers for two strike screw holes on door stop or mullion. NOTE: For 3 hour rated pairs of doors or 3 hour single doors over 8' feet high, mark centers and drill two additional screw holes in face of door for mounting Interlock Angle 100-94.
- Drill holes in door and frame as directed on templates.
- For FL-103 or Device less Trim install cylinder with Cylinder Back Plate. Tailpiece length should be 1/4" to 5/16" (SEE STEP 2) from inside face of the door.

INTERLOCK ANGLE 100-94 WHEN REQ'D

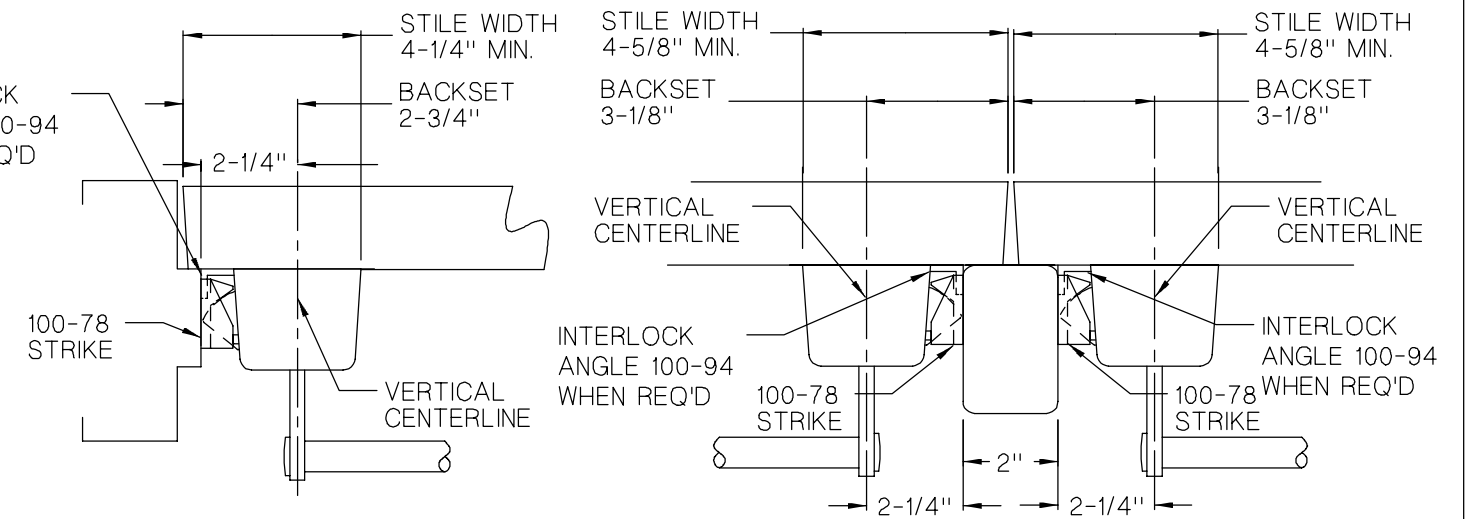
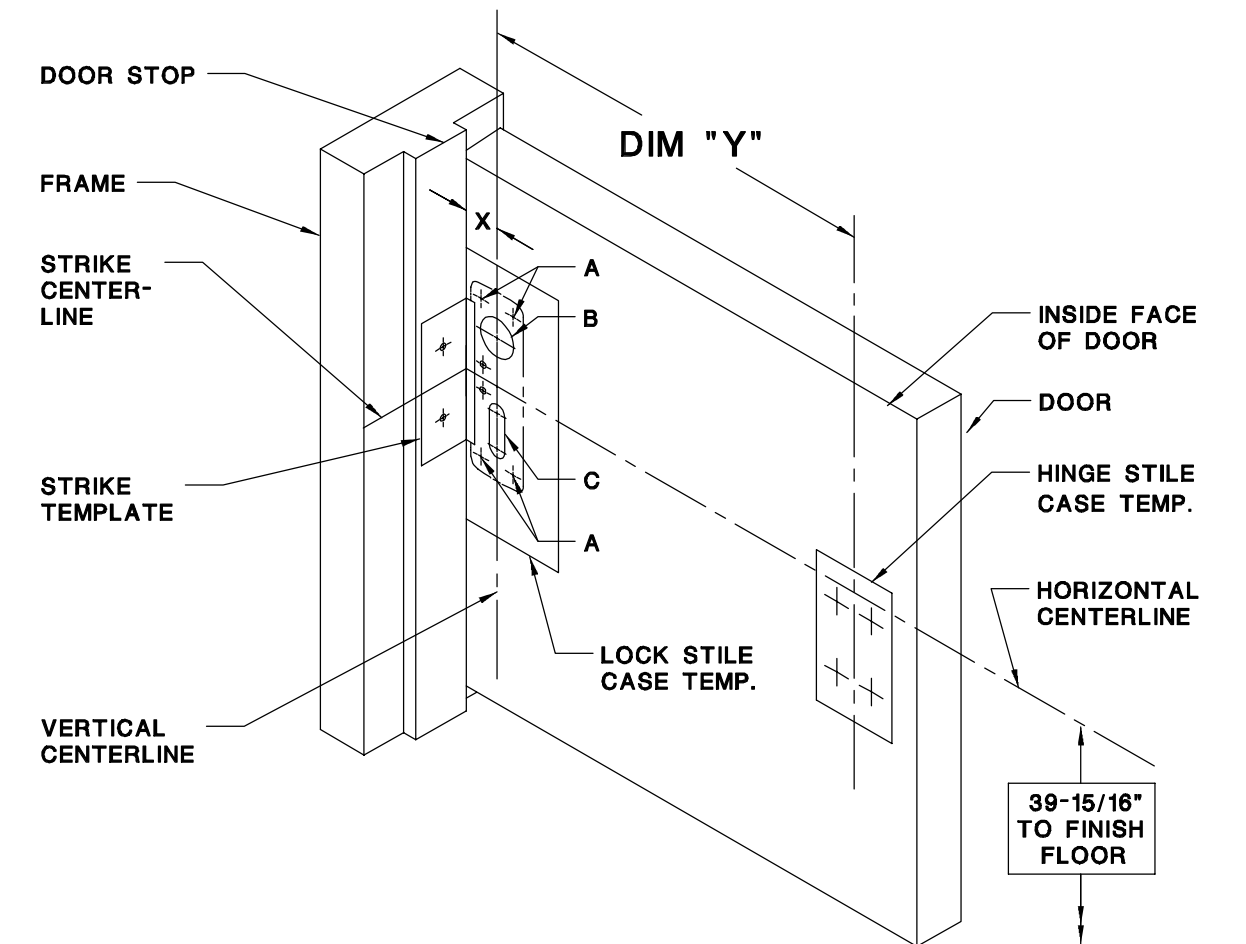


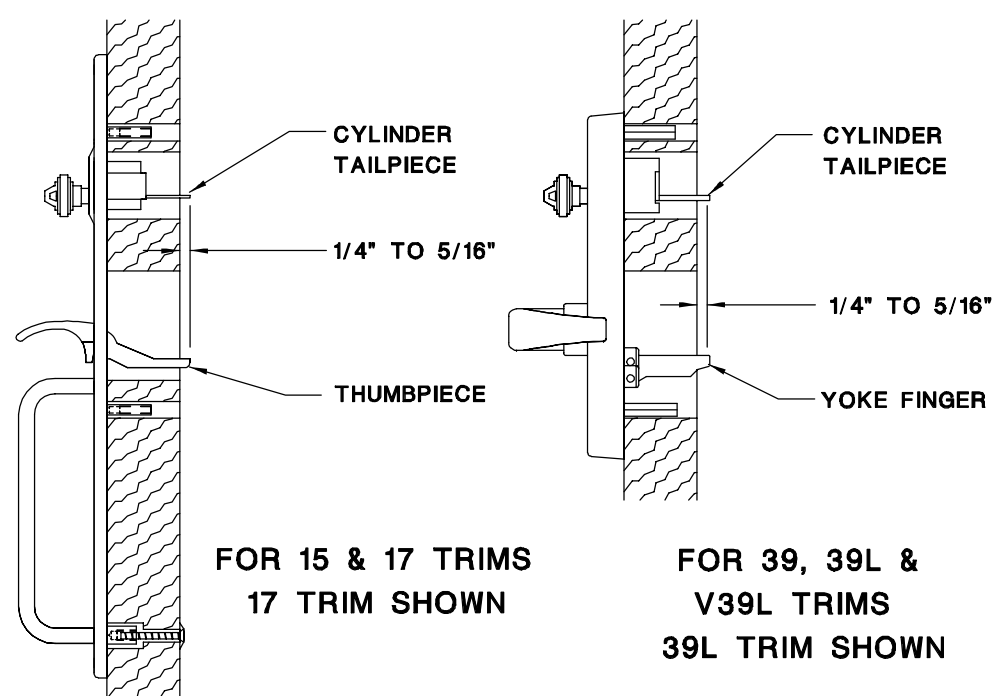
ILLUSTRATION 1
SINGLE HOLLOW METAL DOOR WITH RIM DEVICE

ILLUSTRATION 2
PAIR OF DOORS WITH RIM DEVICE & FL-822 MULLION



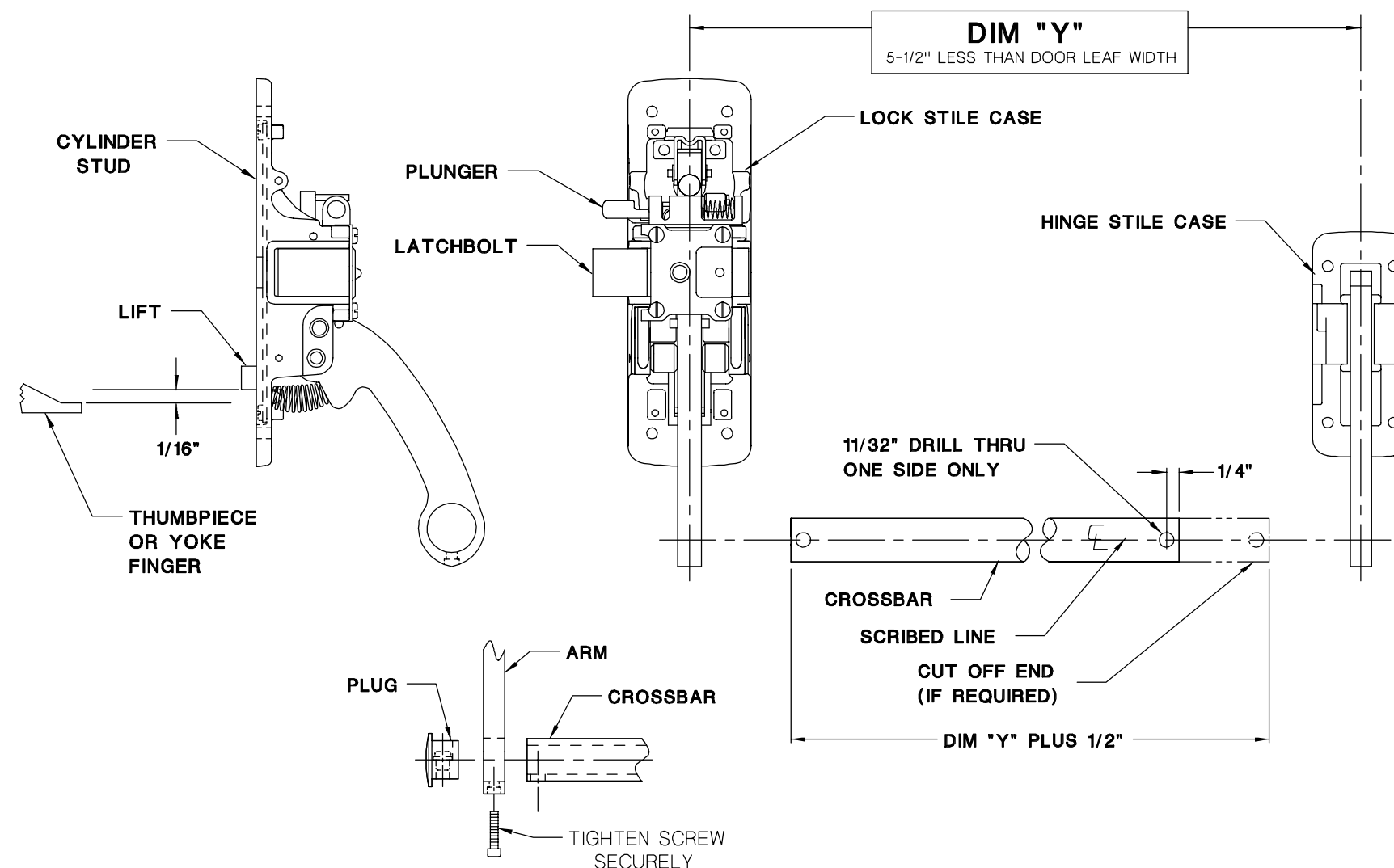
HOLE DRILLING SCHEDULE			
GROUP	DEVICE NO.	B, B1, B2	C
1	FL-101	NO	NO
2	FL-103	YES	NO
3	FL-105, FL-108	YES	YES
4	FL-105A, FL-108A	NO	YES

2 APPLY TRIM - WHEN SPECIFIED



- If no trim is specified, proceed with **STEP 3**.
- For Devices in **GROUP 2 & 3**, install cylinder in the Trim. Install the Trim into the door and check length of cylinder tailpiece as shown.
- For Devices in **GROUP 3 & 4**, check length of **THUMBPIECE** or **YOKE FINGER**.

3 APPLY DEVICE



- Lock stile case installation - Depress latchbolt, then plunger and remove cover. Mount lock stile case chassis with 4 screws. For devices with outside functions, follow A & B below.
A. For devices in **GROUP 2 & 3** insert cylinder tailpiece in to **CYLINDER STUD** in lock stile chassis. (SEE **LOCK STILE CASE**).
B. For devices in **GROUP 3 & 4** **LIFT** appears in lock stile chassis. **LIFT** must be in locked position. **THUMBPIECE** or **YOKE FINGER** must be under the **LIFT** with 1/16" gap. (SEE **LOCK STILE CASE**).
CAUTION: Before proceeding further, unlock the lift for devices in **GROUP 4**.
- Fasten Strike to frame and adjust strike so that device latches tightly without binding.
- Hinge stile case installation - Remove cover. Mount hinge stile case chassis with 4 screws.
- Attach Covers.
- Check cross bar length per illustration. Cut cross bar if required and install per illustration. Make sure screws are tightly secured.