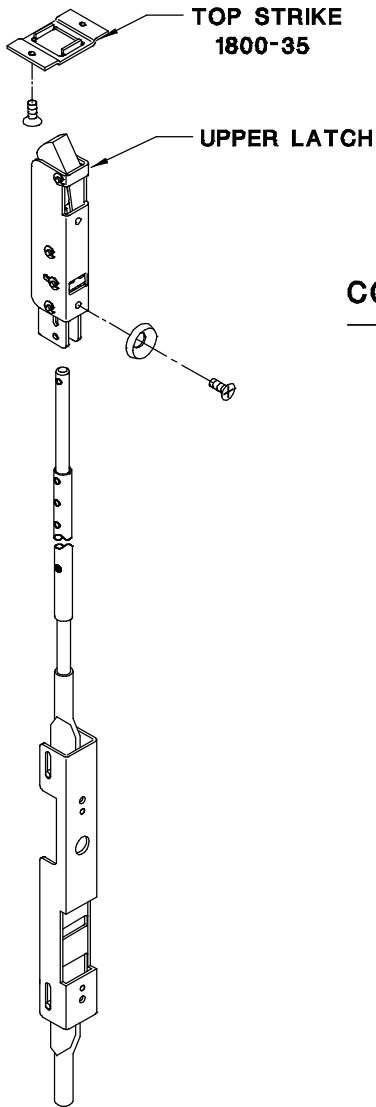


# 1800-35 TOP STRIKE CONVERSION

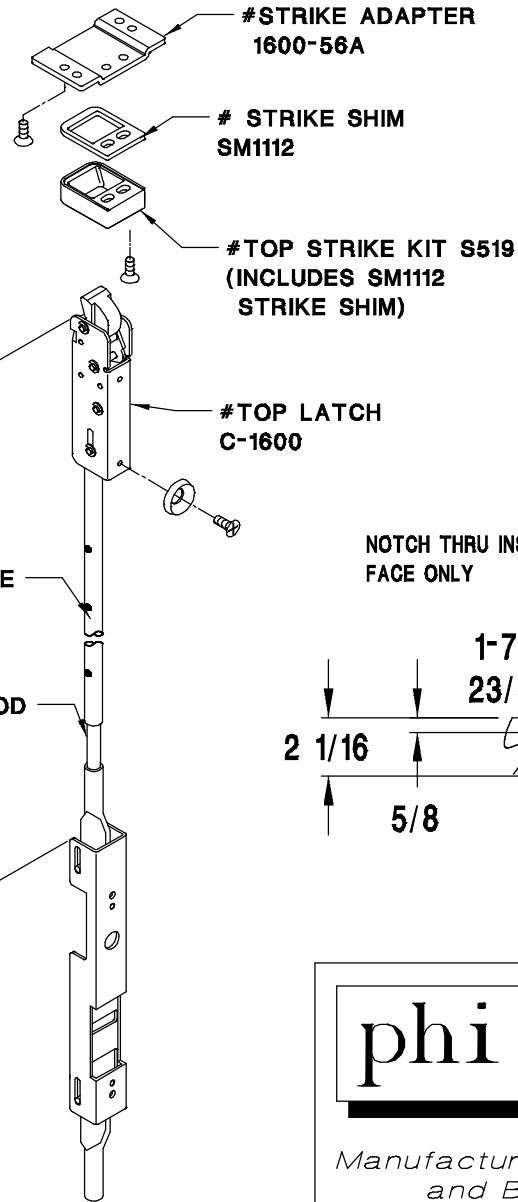
KIT No. RK-1800

**ORIGINAL STYLE**



CONVERTING TO

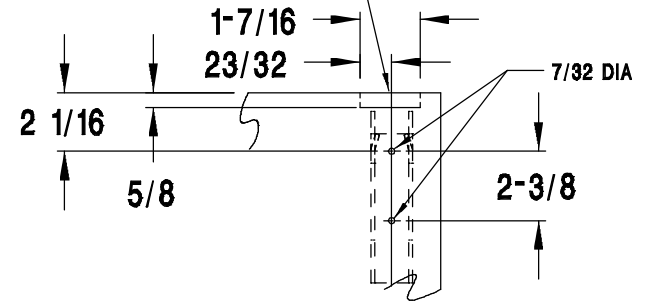
**NEW STYLE**



# PARTS INCLUDED WITH KIT

- 1) PREP TOP OF DOOR TO DIMENSIONS SPECIFIED BELOW.
- 2) ADJUST TOP ROD ASSEMBLY TO DIMENSION SHOWN.
- 3) FOR DOOR SIZES OTHER THAN 7', ADD OR SUBTRACT APPROPRIATE LENGTH.

NOTCH THRU INSIDE FACE ONLY



DRAWING AI-1800-1 DATE 01-09-03 REVISION B

**Precision Hardware, Inc.**  
P.O. Box 74040, Romulus, MI 48174

*Manufacturers of Panic Exit Devices and Builder's Hardware*