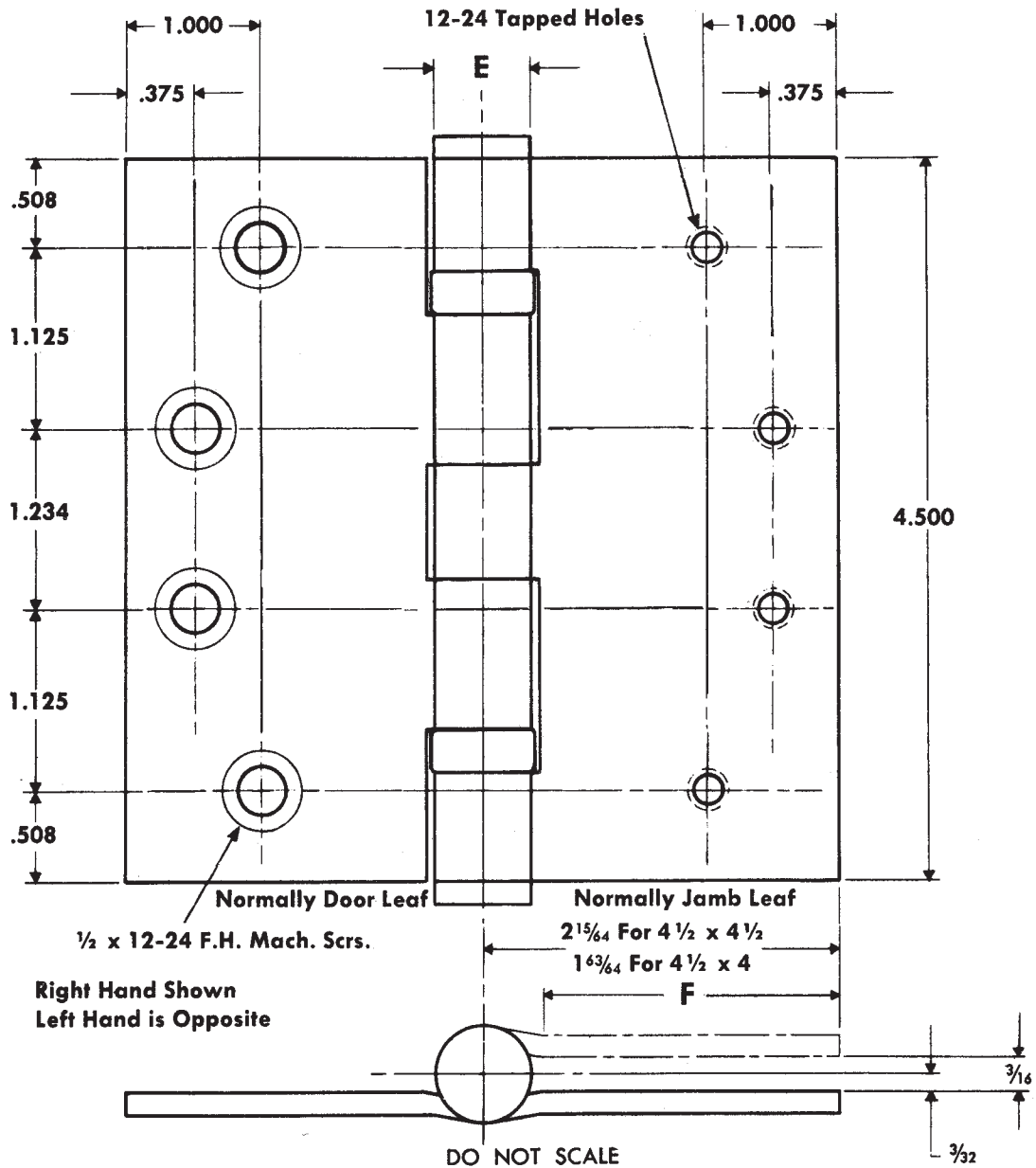


SLIP-IN FULL MORTISE TEMPLATE BUTT HINGES APPLICATION A

Sizes: 4½ × 4 and 4½ × 4½"



CLASS NUMBER		Gauge of Metal	(E) Outside Diameter	LOCATION FROM EDGE OF LEAF TO SWAGE LINE (F)	
Steel Hinges	Nonferrous Hinges			4½ × 4	4½ × 4½
Slip-in CB179	Slip-in CB191	0.134	0.625	1 41/64	1 57/64
Slip-in FBB179	Slip-in FBB191				
Application A	Application A	0.134	0.540	1 41/64	1 57/64
Slip-in CB1900	Slip-in CB1960				
Application A	Application A	0.134	0.625	1 41/64	1 57/64
Slip-in CB1900R	Slip-in CB1960R				
Application A	Application A				

Machine Screw Size — ½ × 12-24 F.H.