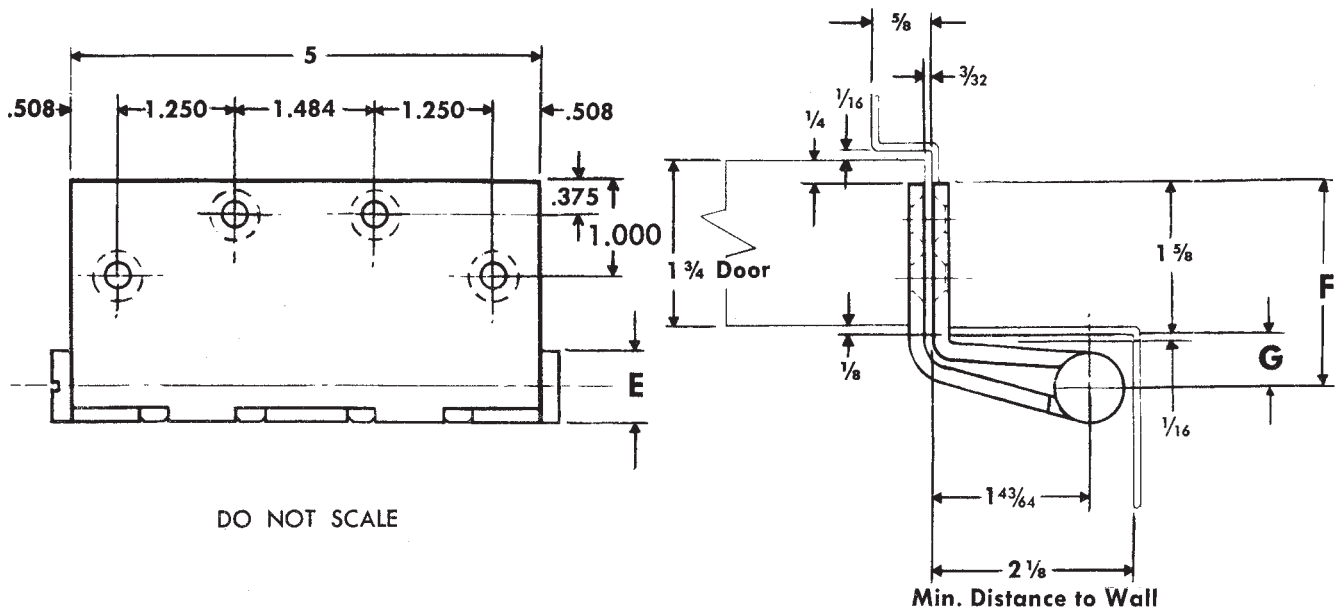


FULL MORTISE "SWING-CLEAR" TEMPLATE BUTT HINGES

Size: 5"



DO NOT SCALE

NOTES:

- 1 For doors thicker than 1 3/4, backsets on doors and frames should be increased by the amount of the additional door thickness.
- 2 1 3/4 doors will clear opening at 95°.
- 3 This hinge alters the normal pivot point of door. For door closers, friction or overhead door holders to be used in conjunction with this hinge, consult manufacturer of the device to be used for application details.

Class No.	Material	Gauge of Metal	(E) Outside Diameter	F	G
CB268	Steel	0.190	0.748	2 1/8	1/2
FBB268	Steel	0.190	0.748	2 1/8	1/2
CB1948	Steel	0.190	0.715	2 3/32	15/32
CB1948R	Steel	0.190	0.748	2 1/8	1/2

Template hinges of the hospital type conform to above screw hole location. Hospital type hinges are designated by prefix "HT" to class number.

Machine Screw Size — 1/2 x 12-24 F.H.

Wood Screw Size — 1 1/2 x No. 12 F.H.

Door Thickness	Backset on Door	Backset on Frame
1 3/4	1/4	5/16
2	1/2	9/16
2 1/4	3/4	13/16