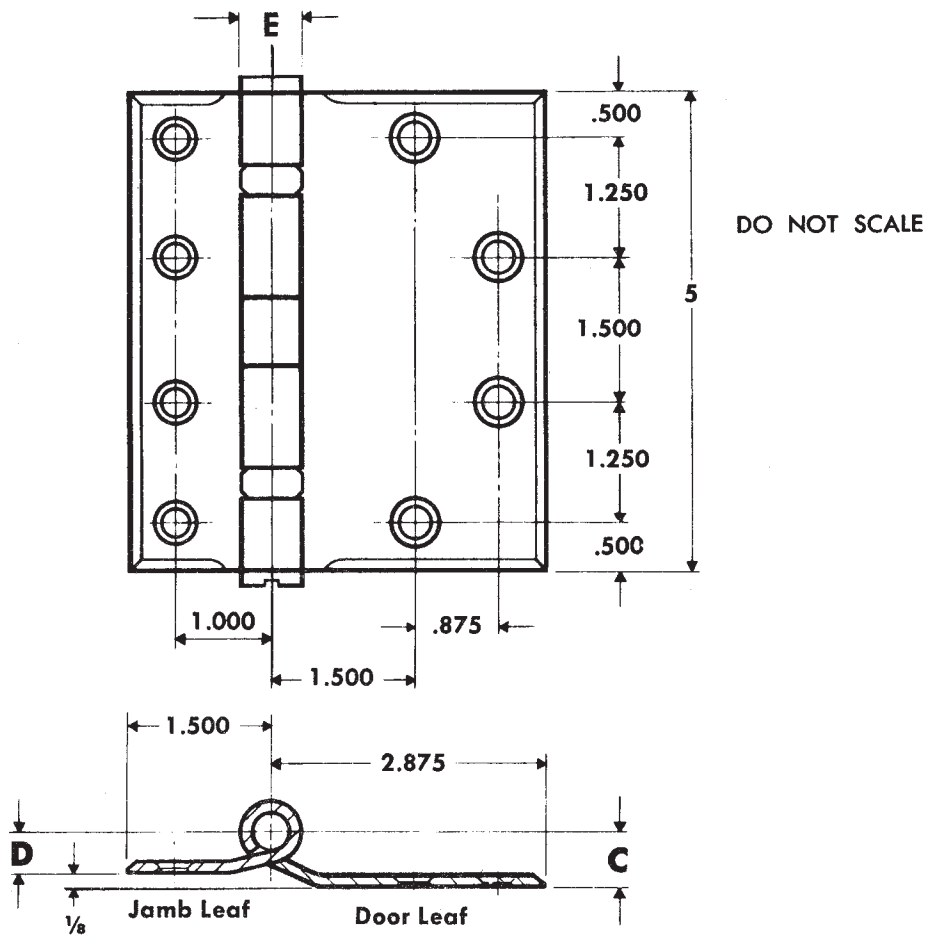


# FULL SURFACE TEMPLATE HINGE FOR MINERAL CORE DOORS WITH CHANNEL IRON JAMBS

Size: 5"



CLASS NUMBER		Gauge of Metal	(C)	(D)	(E)
Steel Hinges	Nonferrous Hinges		Door Leaf Offset	Jamb Leaf Offset	Outside Diameter
CB171	CB110	0.146	9/16	7/16	0.669
FBB171	FBB110	0.146	9/16	7/16	0.669
CB1930	CB1990	0.146	17/32	13/32	0.781
CB1930R	CB1990R	0.146	9/16	7/16	0.669
CB169	CB109	0.190	5/8	1/2	0.748
FBB169	FBB109	0.190	5/8	1/2	0.748
CB1931	CB1991	0.190	19/32	15/32	0.710
CB1931R	CB1991R	0.190	5/8	1/2	0.748

Template hinges of the hospital type conform to above screw hole location. Hospital type hinges are designated by prefix "HT" to class number.

Machine Screw Size — Jamb Leaf — 1/2 x 12-24 O.H.

Door Leaf — 2 x 1/4-20 O.H.M.S. with grommet nut

This template conforms with ANSI standard A156.7.