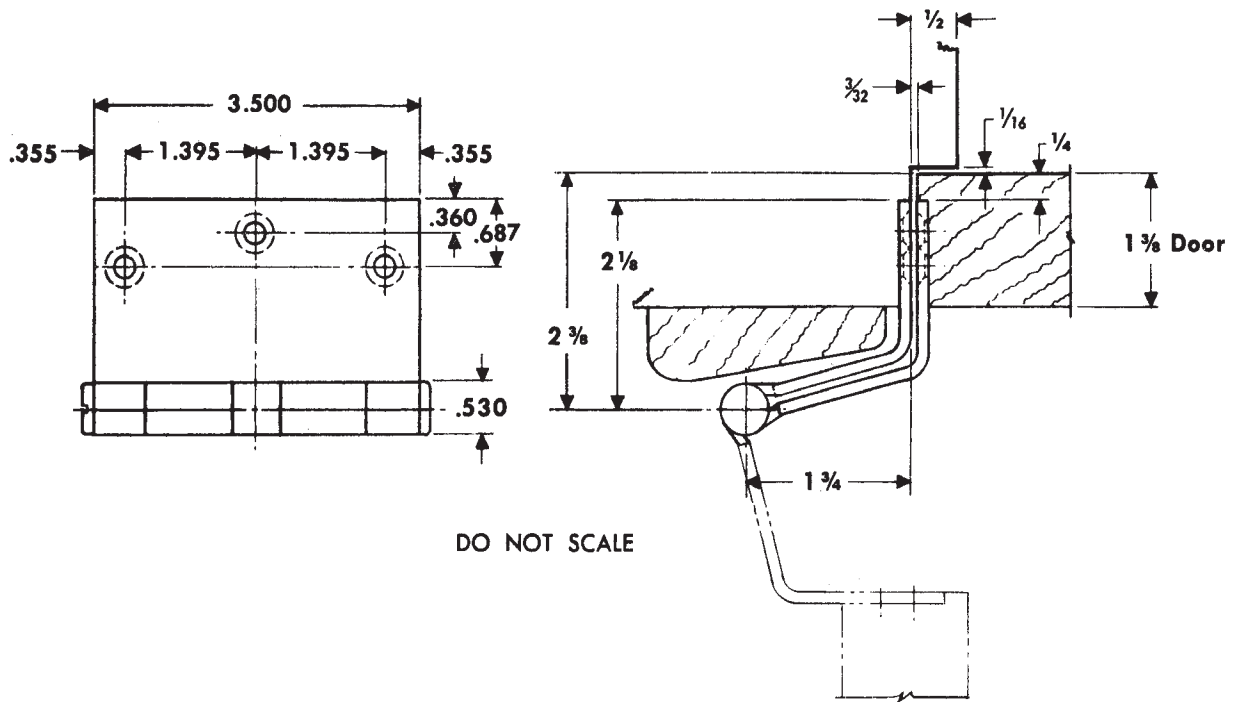


**FULL MORTISE "SWING-CLEAR" TEMPLATE BUTT HINGES**

Size: 3 1/2"



**NOTES:**

- 1 For doors thicker than 1 3/8, backsets on doors and frames should be increased by the amount of the additional door thickness.
- 2 1 3/8 doors will clear opening at 95°.

Class No.	Material	Gauge of Metal
F248	Steel	0.123
1947R	Steel	0.123

Template hinges of the hospital type conform to above screw hole location. Hospital type hinges are designated by prefix "H" to class number.

Wood Screw Size — 1 x #10 FL. HD. REC.