



## Installation Instructions for 34H–35H Single & Double Dummy Trim

To install 34H or 35H single or double dummy trim, use this instruction along with one of the following BEST templates:

- H09 — *Installation Template for 34H-37H Mortise Locks with A,B,C,D,H,& S Trim*
- H12 — *Installation Template for 34H-37H Mortise Locks with J Trim, or*
- H13 — *Installation Template for 34H-37H Mortise Locks with M & N Trim*

### To install single dummy trim (knob or lever mounted on one side only):

- 1 Use template H09, H12, or H13 to locate two holes labeled on the template as, "Through-bolt holes," BUT prepare the door for #8 sheet metal screws. DO NOT drill 3/8" diameter holes.
- 2 Insert the dummy trim plate through the inside chassis and align the countersunk holes in the chassis with the smaller holes in the dummy trim plate.
- 3 Secure the chassis and plate to the door using two #8 sheet metal screws.
- 4 Screw on the trim and secure the lever handle to the spindle with the set screw.

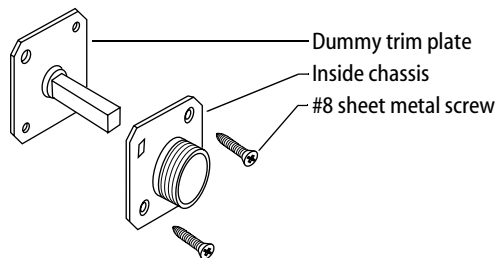


Figure 1 — Installing the single dummy trim chassis

*Over for instructions on double dummy trim*

**To install double dummy trim (knobs or levers mounted on both sides of the door):**

- 1 Use template H09, H12, or H13 to locate two holes labeled on the template as, "Through-bolt holes."
- 2 Prepare the door by drilling two 3/8" diameter holes as specified.
- 3 Insert the spindle of each dummy trim plate through the hub of each chassis.

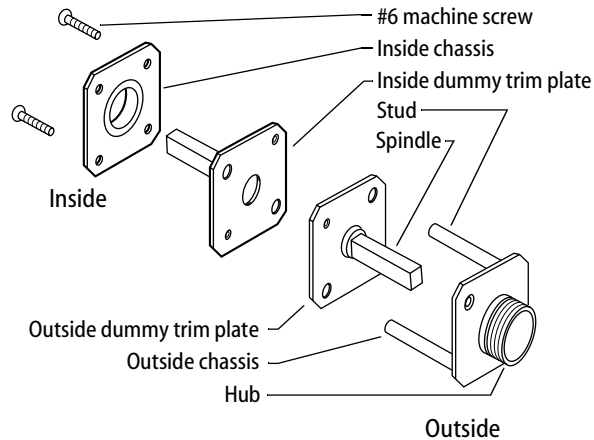


Figure 2 — Installing the double dummy trim chassis

- 4 Put the two studs of the outside chassis through the larger holes of the outside dummy trim plate.
- 5 Put the two #6 machine screws through the countersunk holes of the inside chassis and the smaller holes of the inside dummy trim plate.
- 6 From the outside of the door, put the studs into the two 3/8" diameter holes.
- 7 From the inside of the door, screw the #6 screws into the studs and tighten securely.
- 8 Screw on the trim pieces and secure the levers with set screws.