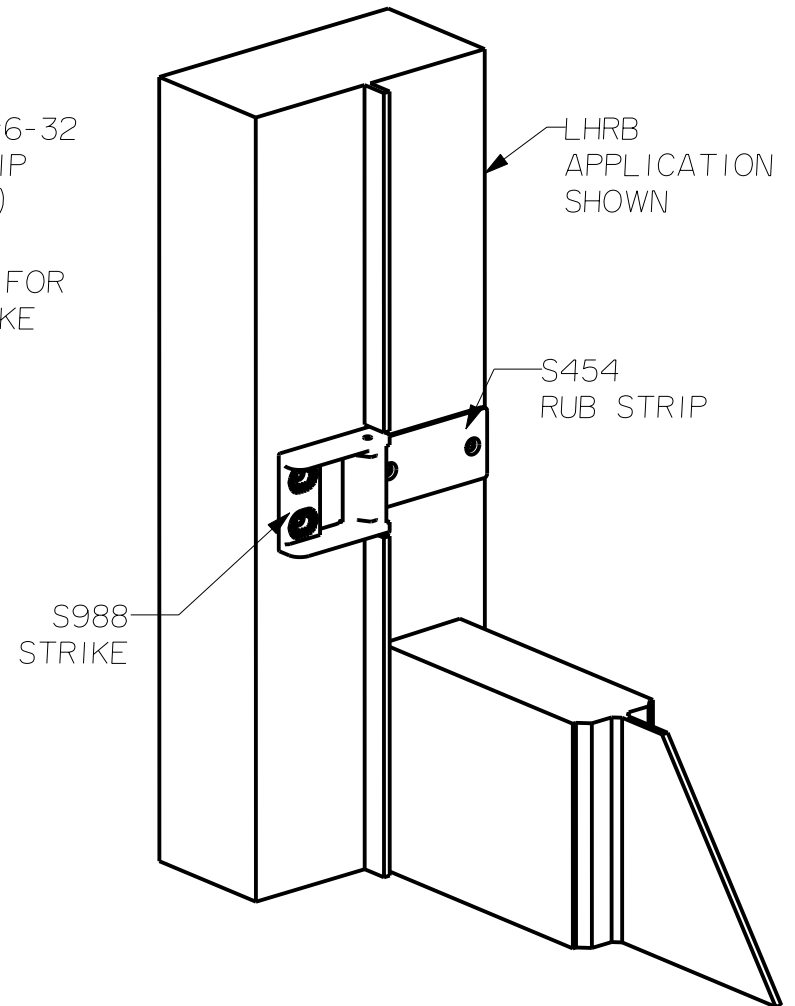
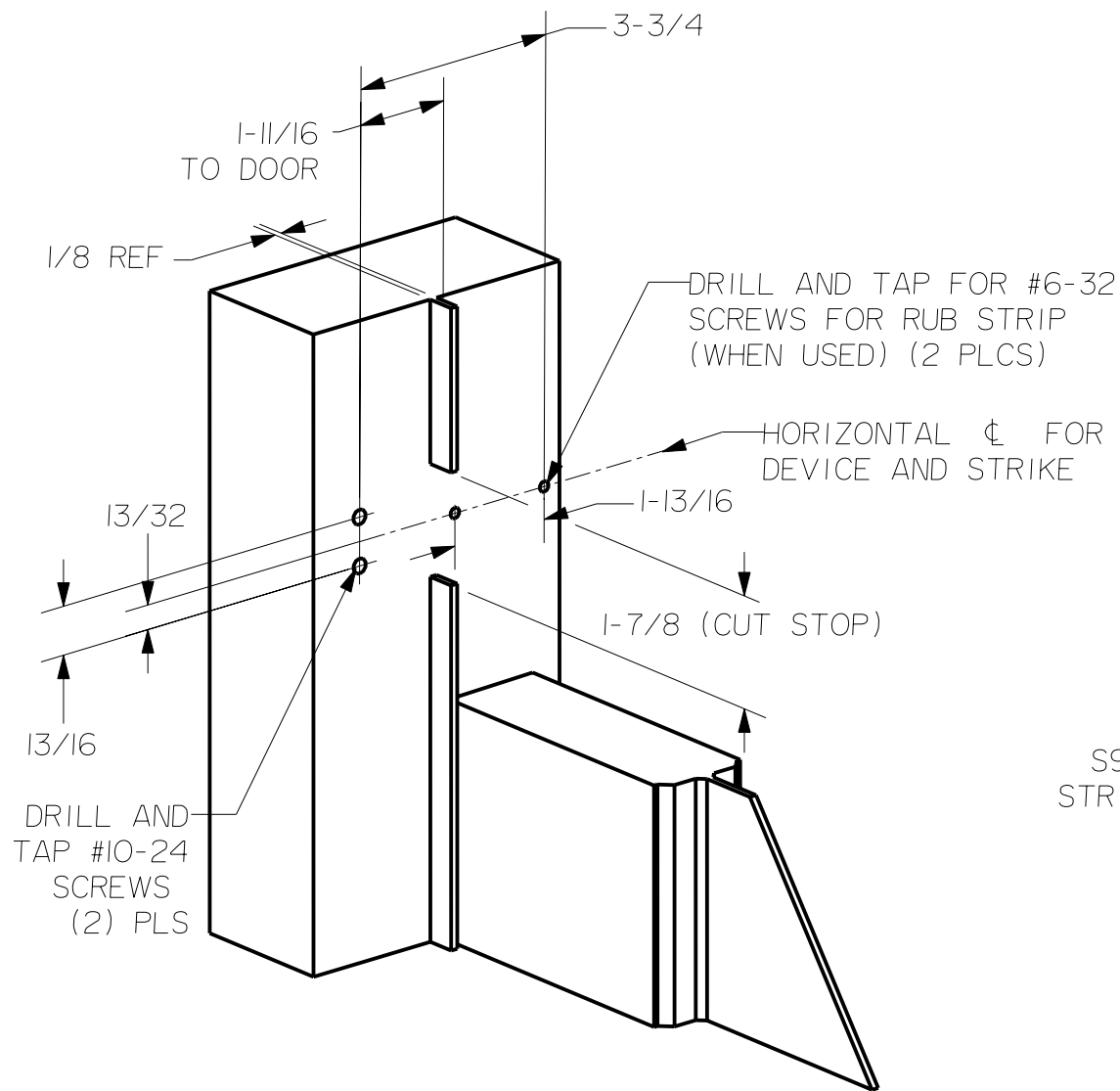


S988 STRIKE AND RUB STRIP INSTRUCTIONS



STANLEY

phi

DRWG
01795-11-000

DATE
4/15/03

REVISION
A

Precision Hardware
a Division of Stanley Security Solutions, Inc.
www.stanleysecuritysolutions.com