

## 1 Prepare gate

See the installation specifications for 6S gate locks, numbers S09 – S12.

## 2 Check handing

- 1 Unscrew the four case cover screws and lift off the case cover.
- 2 Check to see if you need to change the handing of the case. See the figures below.

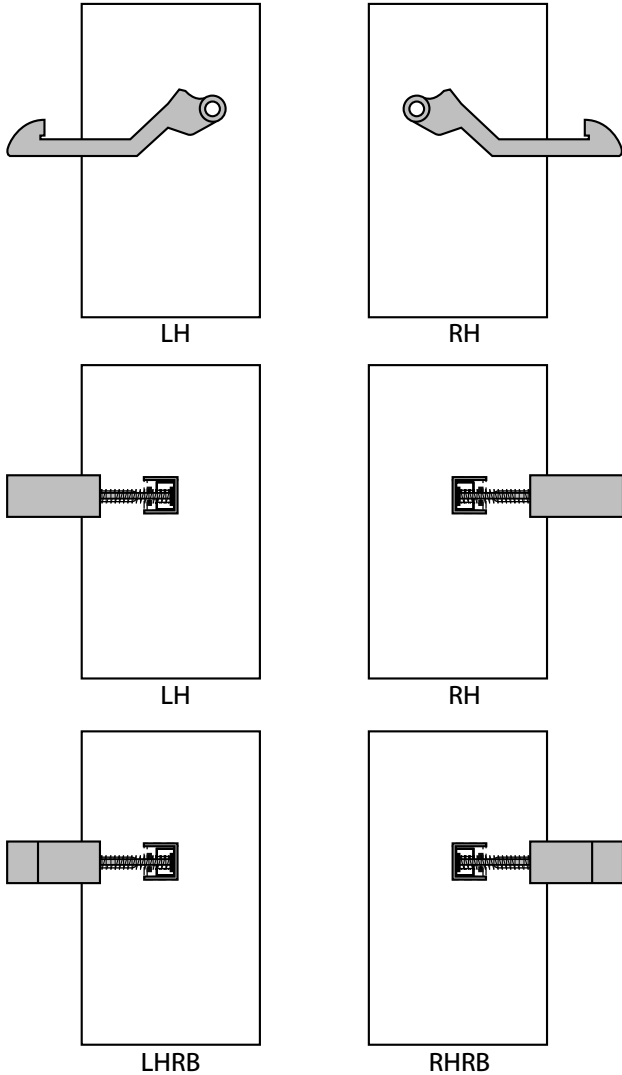


Figure 1

### To change a sliding gate lock handing

- 1 While compressing the spring on the latch, pull the latch off of the post. See Figure 2.

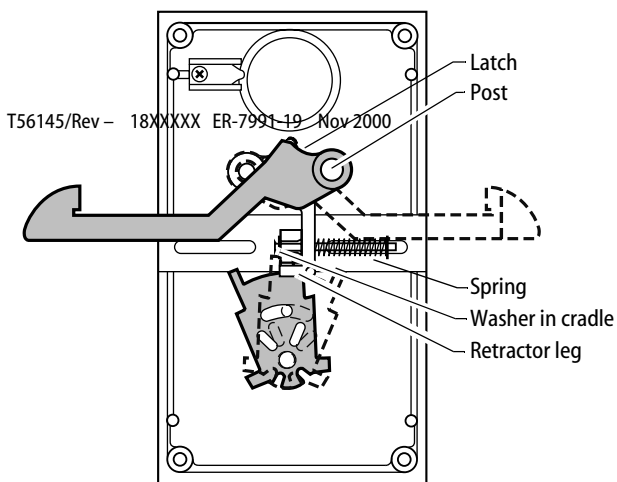


Figure 2

- 2 Turn the latch over and put the latch on the opposite post. See Figure 2.

- 3 Make sure that the washer fits into the recess of the cradle when the spring is released. See Figure 2.
- 4 Position the retractor leg so that it contacts and retracts the latch. See Figure 2.

### To change swinging gate lock handing

- 1 Compress the spring on the latch and pull the latch out of the cradle. See Figure 3.

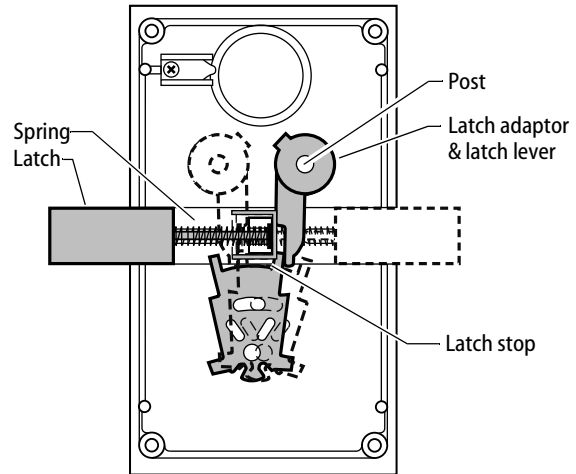


Figure 3

- 2 Pull the latch adaptor and latch lever off of the post. See Figure 3.
- 3 Turn the latch lever over and reengage the latch lever to the latch adaptor using the same slot. When switched the position should be a mirror image of the original. See Figure 4.

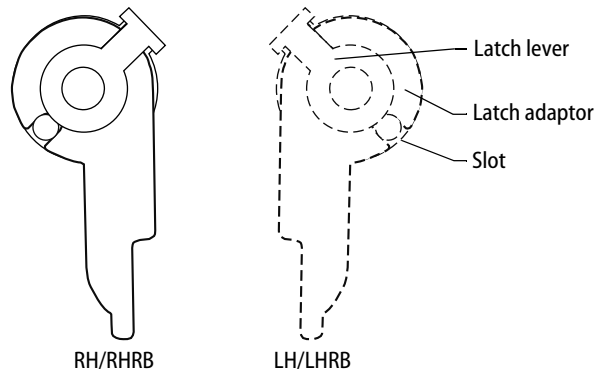


Figure 4

- 4 Push the latch adaptor and lever onto the opposite post.
- 5 Make sure that the latch lever is on the outside of the fork leg. See Figure 5.

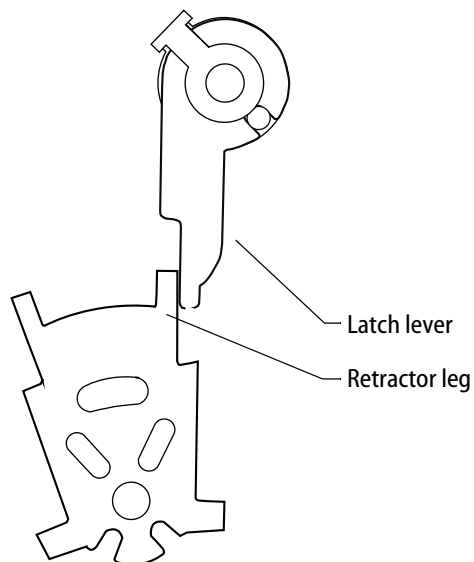


Figure 5

- 6 Position the latch bevel for the correct swing of the gate. See Figure 1.
- 7 Compress the latch spring and place the latch into the cradle.

- 8 Make sure that the washer fits into the recess of the cradle when the spring is released. See Figure 3.
- 9 Make sure that the latch stop fits over the edge of the latch lever. See Figure 3.

### 3 Install outside cylinder & ring

- 1 With the cam in the vertical position, tighten the cylinder retainer screw as shown in Figure 6. If possible, use an ED211 cylinder wrench.

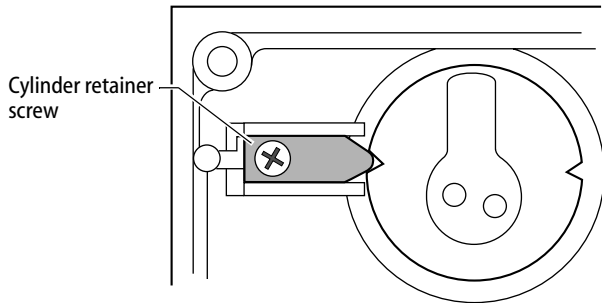


Figure 6

- 2 Tighten the cylinder set screw as shown in Figure 7.

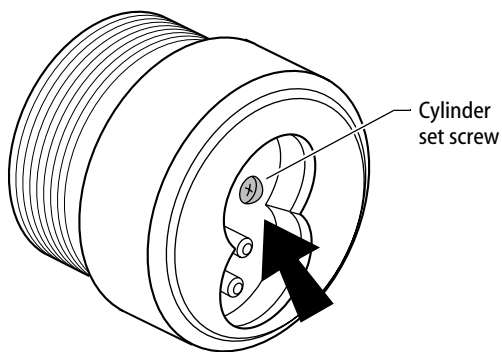


Figure 7

### 4 Install case

- Fasten the lock case into the frame of the gate.

### 5 Install cover

#### For single cylinder locks

- While rotating thumb piece, place the cover onto the case. Make sure that the thumb piece tabs engage the slots in the case retractor and that the cover fits snugly onto the case. See Figure 8.

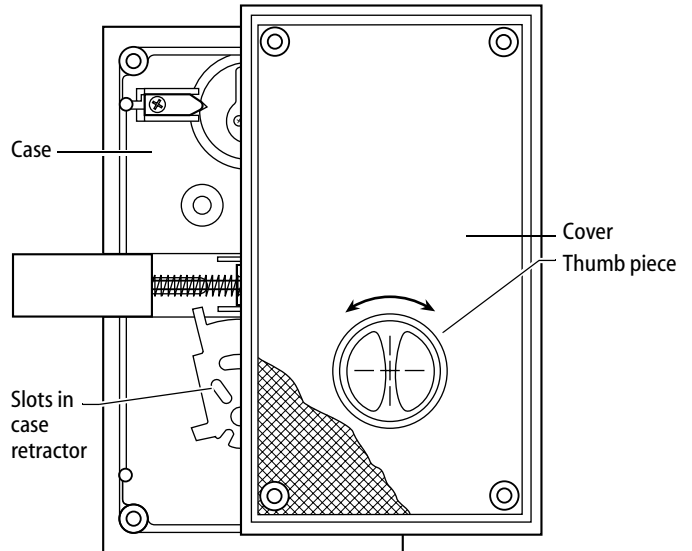


Figure 8

#### For double cylinder locks

- 1 Install the cylinder and ring onto the cover. With the cam in the vertical position, tighten both cover set screws into the cylinder grooves. See Figure 9.

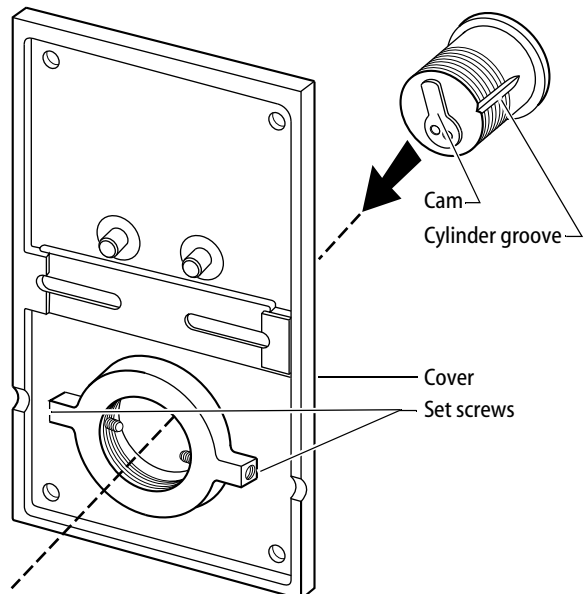


Figure 9

- 2 Place the cover onto the lock and tighten the cover set screws.

### 6 Test lock

- With the gate open make sure that the lock operates properly.