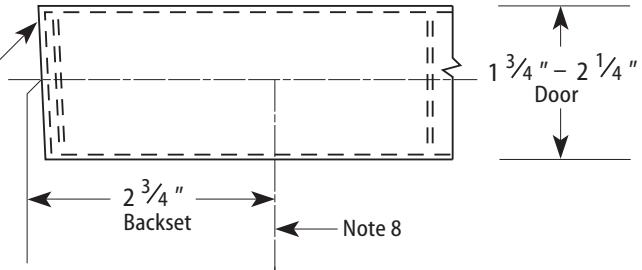


Notes

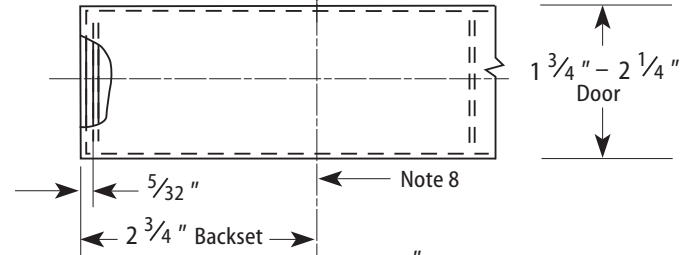
- 1 Also see the *Q05 Template—Installation Template for 93KQ Cylindrical Locks*.
- 2 Allow plus tolerance for clearance per ANSI A115.5. The general tolerance is $\pm 1/64$ ".
- 3 The lock and latch case support are required from the door manufacturer.
- 4 The plaster guard is required from the frame manufacturer.
- 5 Prepare for a #8–32 screw.
- 6 Prepare for a #12–24 screw.
- 7 When a strike box is used, $9/64$ ".
- 8 For backsets other than $2\ 3/4$ ", position the vertical centerline of the lock appropriately.
- 9 Drill the 1" hole $1\ 3/4$ " deep.
- 10 Drill the 1" hole 1" deep.

Bevel angle = $1/8$ " in 2"

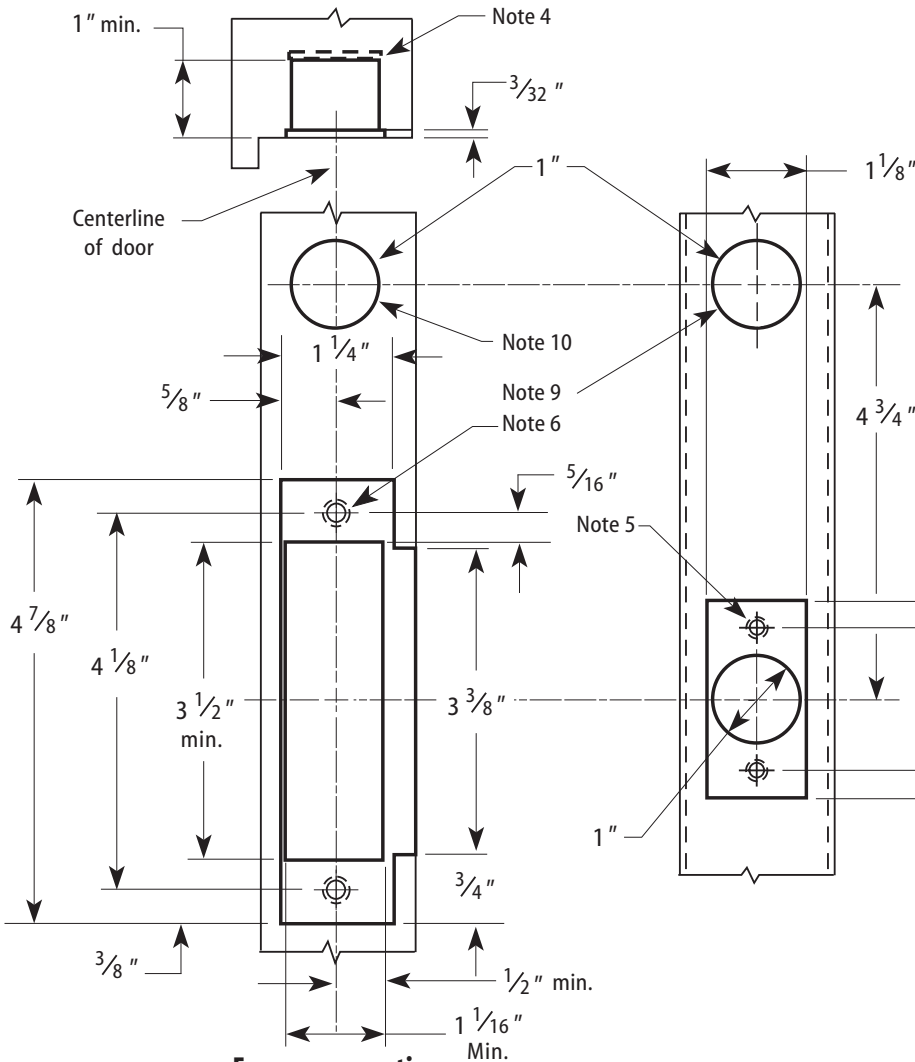
Beveled edge door



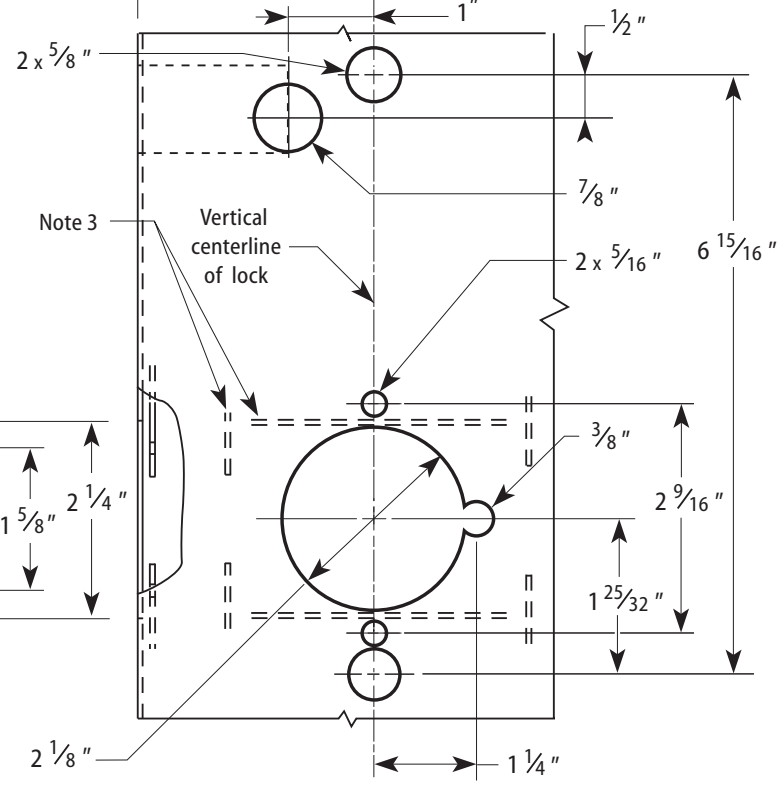
Universal or square edge door



Strike box — overhead view



Frame preparation



$2\ 3/4$ " Backset door preparation

Title Installation Specifications for 93KQ Cylindrical Locks with Large Strike

Series 93KQ

Backset 2 3/4", 3 3/4", 5"

Trim style DV, MS, PH, PM

Door thickness 1 3/4"–2 1/4"

Rev date 7/2008

Template number Q02

Rev A

BEST ACCESS SYSTEMS