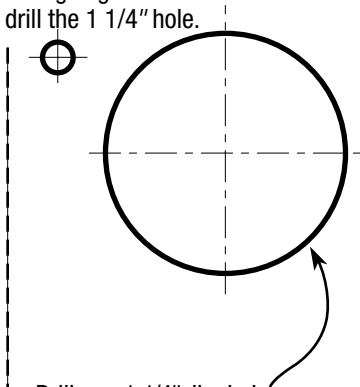


Template for 23F766 Sequence Lock with 180° Rotation Outside Cyl

- 1 Use the back plate to locate and drill the three 9/64" dia. holes making sure that you allow enough space for the strike to be located next to the back plate.
- 2 Aligning the three holes to the template, mark and drill the 1 1/4" hole.



Drill one 1 1/4" dia. hole
through the door.

Drill three 9/64" dia. holes
7/8" deep.



Best Access Systems
Indianapolis, Indiana