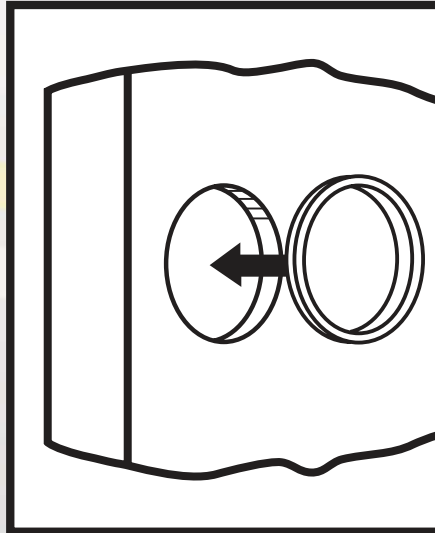
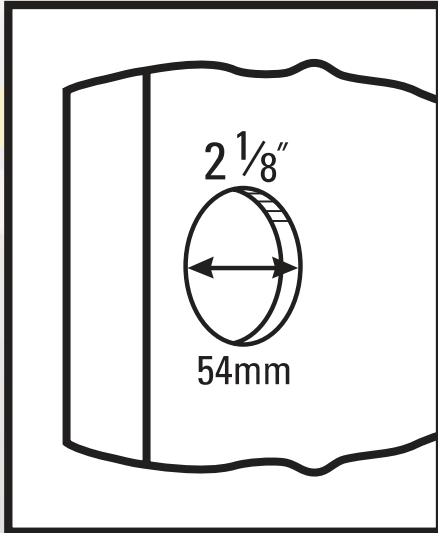




Wear Safety Goggles



1. Mark pull location.
2. Bore two 2-1/8" holes, 5/16" deep.
3. Carefully tap pull into place.  
Only clean with soft cloth, mild soap and water.