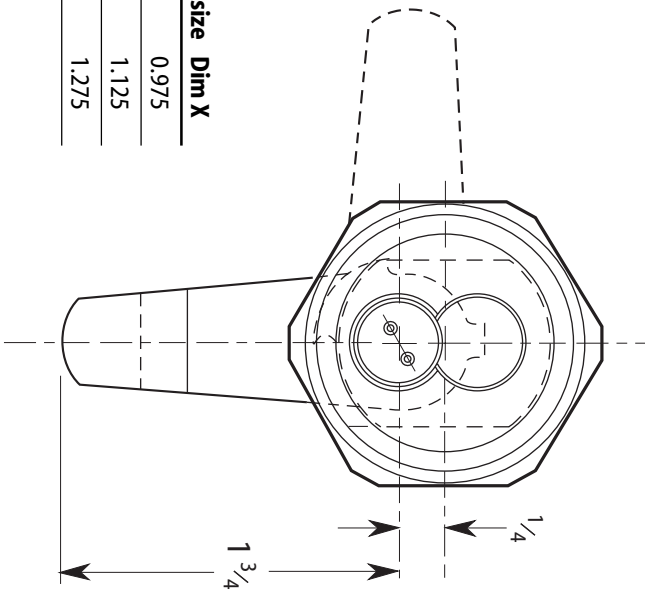


Pin size	Dim X
5	0.975
6	1.125
7	1.275



Title Template for 1E_E4 Cylinders				BEST ACCESS SYSTEMS		
Series 1E_E4	Backset	Trim style	Door thickness	Rev date 11/2008	Template number E03	Rev C