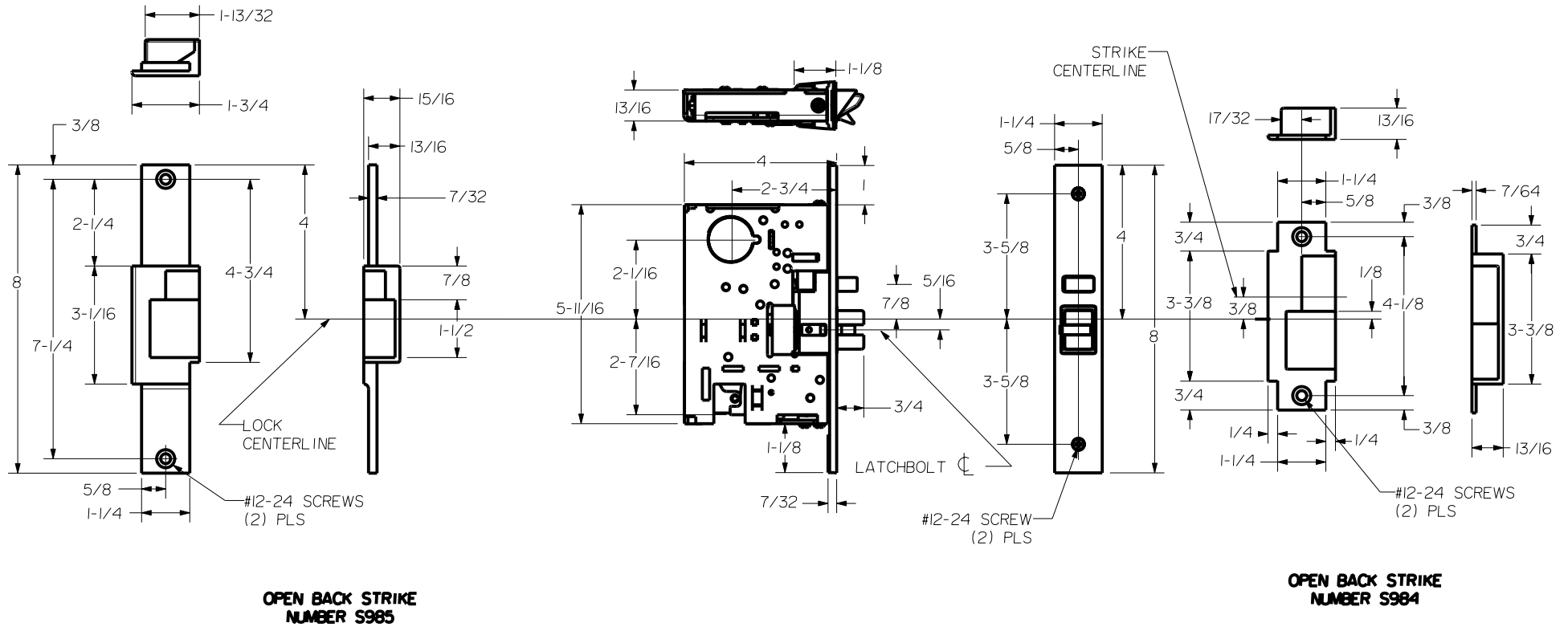




REINFORCEMENT REQUIREMENTS

PROVIDE ADEQUATE REINFORCEMENT TO METAL COVERED COMPOSITE AND HOLLOW METAL DOORS FOR THE DRILLING AND TAPPING FOR THE MACHINE SCREWS.



FOR LOCK STILE MACHINING SEE APPROPRIATE HOLLOW METAL TEMPLATE

		Precision Hardware a Division of Stanley Security Solutions, Inc. www.stanleysecuritysolutions.com	
			
DEVICE SERIES		TRIM SERIES	
2300, FL2300, 300, FL300		N/A	
STRIKE NO.	RELEASED DATE	TEMPLATE NO.	REV
S985, S984	04/01/03	HM-S985	A