

**REINFORCEMENT REQUIREMENTS**

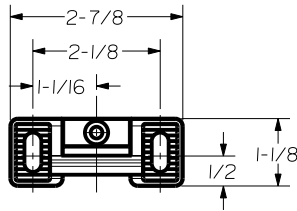
PROVIDE ADEQUATE REINFORCEMENT TO METAL COVERED COMPOSITE AND HOLLOW METAL DOORS FOR THE DRILLING AND TAPPING FOR THE MACHINE SCREWS.

**SEX NUTS AND BOLTS**

SEX BOLTS ARE REQUIRED FOR PLASTIC, WOOD, METAL COVERED COMPOSITE AND HOLLOW METAL DOORS WITHOUT REINFORCEMENT

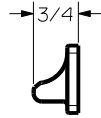
**SEX BOLT MACHINING**

DRILL 1/4 DIA. INSIDE  
DRILL 3/8 DIA. OUTSIDE

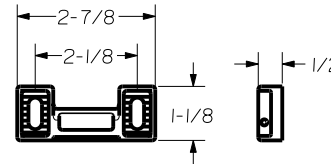


**STRIKE S300 (STANDARD)**

ROLLER STRIKE S30I (OPTIONAL)

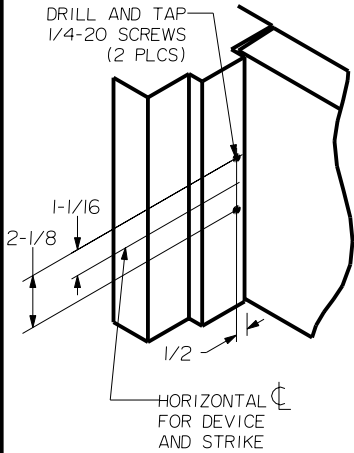


NOTE: FITS STOCK DOORS WITH ANSI A115.17 (16I) AND ANSI A115.18 CUT-OUTS. REQUIRE TRIM THRU BOLT HOLES AT DEVICE INSTALLATION.

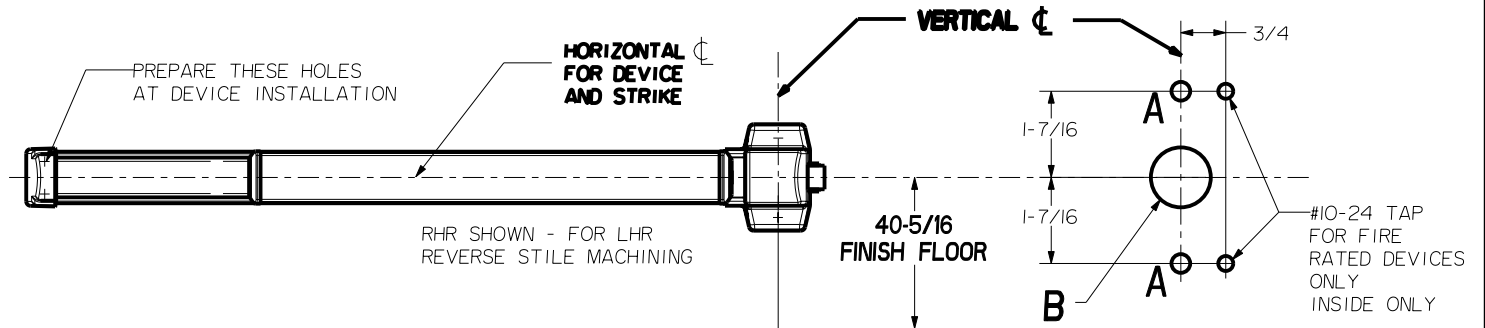


ROLLER STRIKE S458 (OPTIONAL)

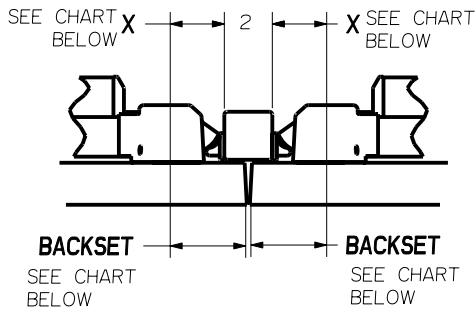
DEVICES	TRIMS	HOLE A (2) PLS	HOLE B
5108, FL5108	808	5/16 DIA THRU DOOR	1" DIA. THRU DOOR
5114, FL5114	814		



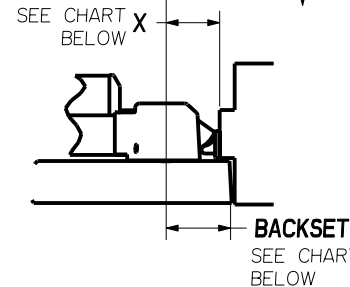
**SINGLE DOOR WITH 5/8 STOP**



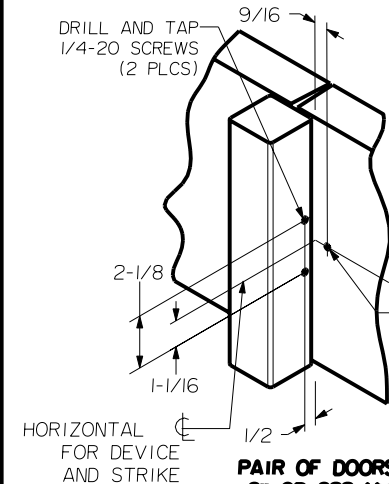
**LOCK STILE MACHINING**



**PAIR OF DOORS WITH  
811 OR 822 MULLION**



**SINGLE DOOR WITH 5/8 STOP**



**PAIR OF DOORS WITH  
811 OR 822 MULLION**

1/4-20 TAP  
FOR INTERLOCK ANGLE  
WITH S300, S30I STRIKES  
(FIRE EXIT DEVICES ONLY)

STRIKE	APPLICATION	BACKSET	MIN. STILE	DIM X
S300 S30I	SINGLE DOOR	2-3/4	4-1/2	2-1/4
	PAIR OF DOORS	3-1/8	4-7/8	
S458	SINGLE DOOR	2-9/16	4-1/4	2-1/16
	PAIR OF DOORS	2-15/16	4-5/8	

<p><b>Precision Hardware</b> a Division of Stanley Security Solutions, Inc. www.stanleysecuritysolutions.com</p>			
DEVICE SERIES		TRIM SERIES	
5100, FL5100		808, 814	
STRIKE NO.	RELEASED DATE	TEMPLATE NO.	REV
S300, S30I, S458	5/01/05	HM-5100B	C