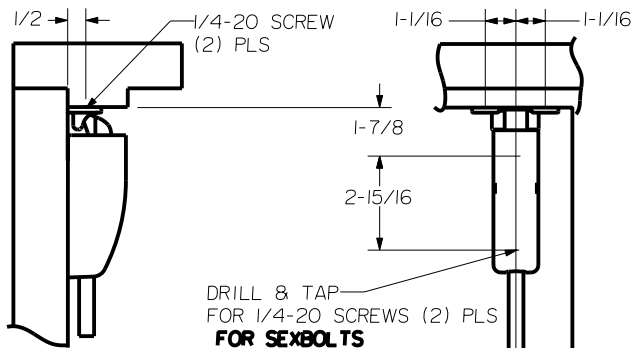


REINFORCEMENT REQUIREMENTS
 PROVIDE ADEQUATE REINFORCEMENT TO METAL COVERED COMPOSITE AND HOLLOW METAL DOORS FOR THE DRILLING AND TAPPING OF THE MACHINE SCREWS.

SEX NUTS AND BOLTS
 SEX BOLTS ARE REQUIRED FOR PLASTIC, WOOD, METAL COVERED COMPOSITE AND HOLLOW METAL DOORS WITHOUT REINFORCEMENT

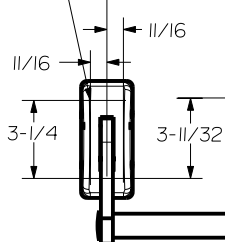
SEX BOLT MACHINING
 HOLE "A" (4) PLS AND INACTIVE CASE
 DRILL 1/4 DIA. INSIDE
 DRILL 3/8 DIA. OUTSIDE



DRILL & TAP FOR 1/4-20 SCREWS (2) PLS FOR SEXBOLTS
 9/32 DIA. INSIDE
 3/8 DIA OUTSIDE

DRILL AND TAP #10-24 SCREW (4 PLCS - INACTIVE CASE)

CENTER DISTANCE BETWEEN CASES
 5-1/2 LESS THAN DOOR LEAF WIDTH

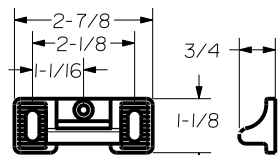
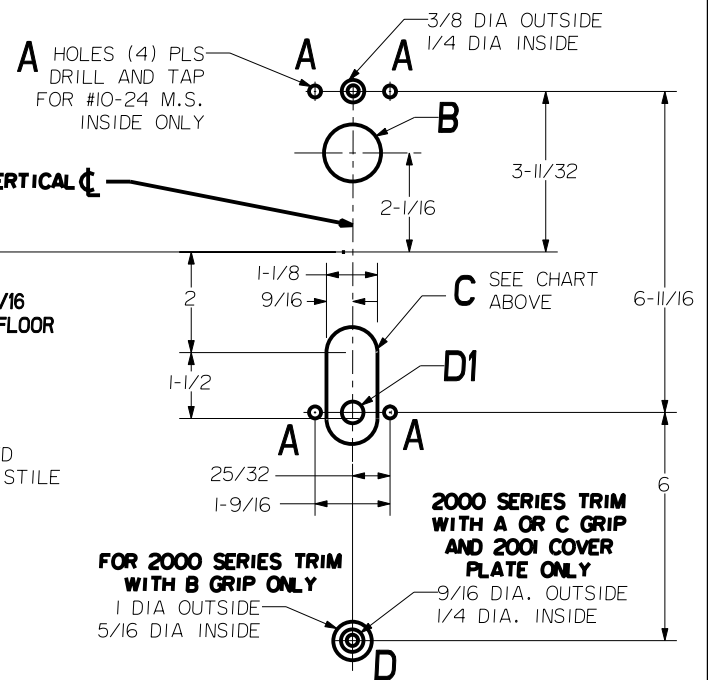


HORIZONTAL CL FOR DEVICE

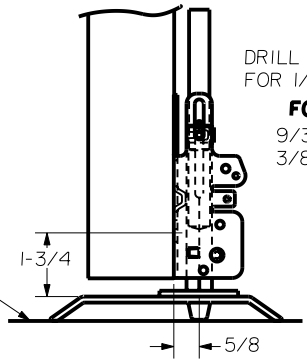
RHR SHOWN - FOR LHR REVERSE STILE MACHINING

DEVICES	TRIMS	HOLE B 1-3/8 DIA. THRU DOOR	SLOT C THRU DOOR	D1
201.FL201	2001	NO	NO	3/8 DIA OUTSIDE 1/4 DIA INSIDE
202.FL202	2002			
203.FL203	2003			
205.FL205	Y2005	YES	YES	NO
215.FL215	Y2015	NO		

LOCK STILE MACHINING

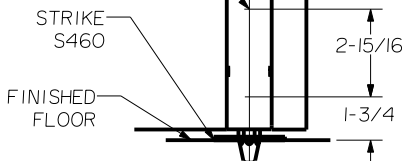


STRIKE S300 (STANDARD)
 ROLLER STRIKE S301 (OPTIONAL)




THRESHOLD APPLICATION

DRILL & TAP FOR 1/4-20 SCREWS (2) PLS FOR SEXBOLTS
 9/32 DIA. INSIDE
 3/8 DIA OUTSIDE



LBR DEVICES:
 OMIT BOTTOM BOLT MACHINING.
 FIRE BOLT REQ'D FOR FL DEVICES
 SEE DRAWING 01297-II-000 FOR DETAILS

NOTE:
 "LETTER" AT END OF TRIM MODEL NO. DESIGNATES GRIP STYLE. EXCEPT AS NOTED, GRIP STYLE HAS NO EFFECT ON STILE MACHINING.

 Precision Hardware a Division of Stanley Security Solutions, Inc. www.stanleysecuritysolutions.com			
DEVICE SERIES		TRIM SERIES	
200, FL200, 200LBR, FL200LBR		2000	
STRIKE NO.	RELEASED DATE	TEMPLATE NO.	REV
S300, S301, S460	5/01/05	HM-200B	C