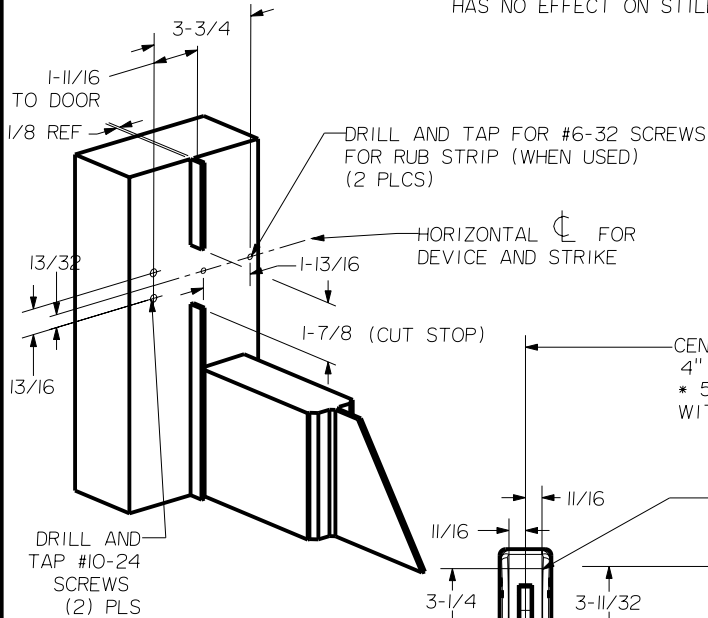


**SEX BOLT MACHINING**

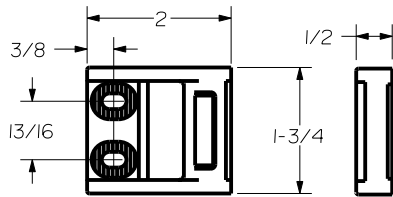
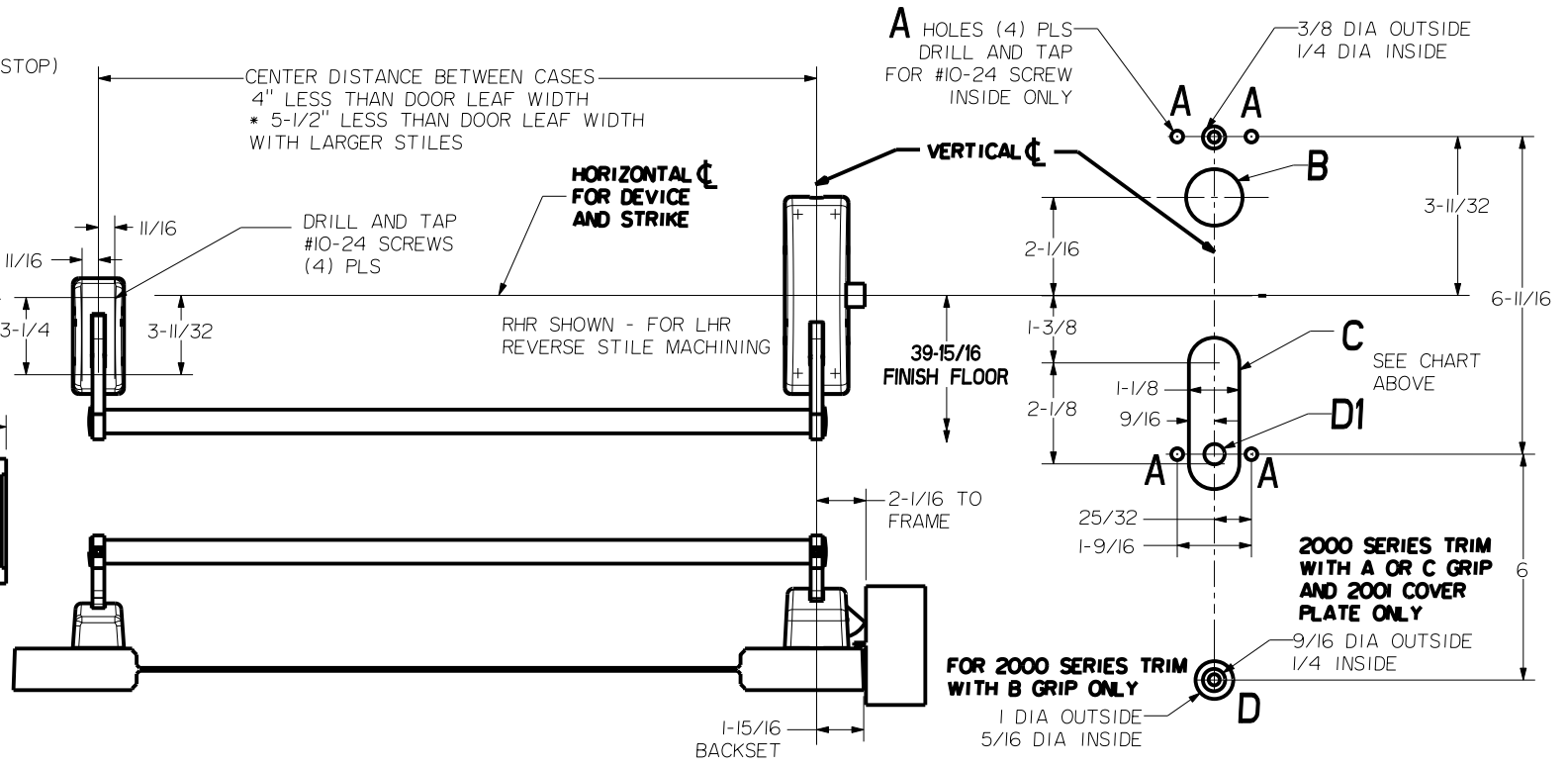
DRILL 1/4 DIA. INSIDE  
DRILL 3/8 DIA. OUTSIDE



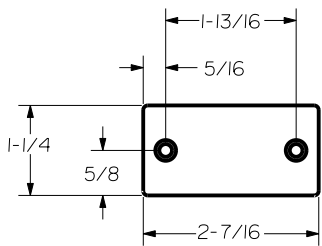
NOTE:  
"LETTER" AT END OF TRIM MODEL NO. DESIGNATES GRIP STYLE. EXCEPT AS NOTED, GRIP STYLE HAS NO EFFECT ON STILE MACHINING.

DEVICES	TRIMS	HOLE B 1-3/8 DIA. THRU DOOR	SLOT C THRU DOOR	D1
101, R101	2001	NO	NO	3/8 DIA OUTSIDE 1/4 DIA INSIDE
102, R102	2002			
103, R103	2003			
105, R105	Y2005	YES	YES	NO
115, R115	Y2015	NO		

**LOCK STILE MACHINING**



ROLLER STRIKE S988 (STANDARD)



RUB STRIP S454 (STANDARD)

ALUMINUM DOOR AND FRAME WITH BLADE OR APPLIED STOP		
MIN. STILES	DEVICE SIZE	DOOR WIDTH
3-1/2"	3'-0"	2'-6" TO 2'-10"
	4'-0"	3'-0" TO 3'-10"
4-3/4" OR FLUSH DOOR	3'-0"	2'-7" TO 3'-0"
	4'-0"	3'-1" TO 4'-0"

\*

STANLEY  
**phi**  
Precision Hardware  
a Division of Stanley Security Solutions, Inc.  
www.stanleysecuritysolutions.com

DEVICE SERIES		TRIM SERIES	
100, R100		2000	
STRIKE NO.	RELEASED DATE	TEMPLATE NO.	REV
S988	5/01/05	AL-100B	C