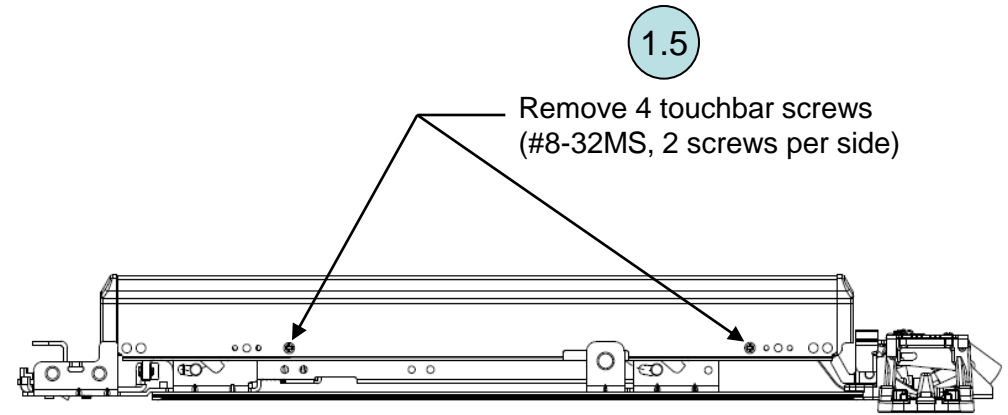
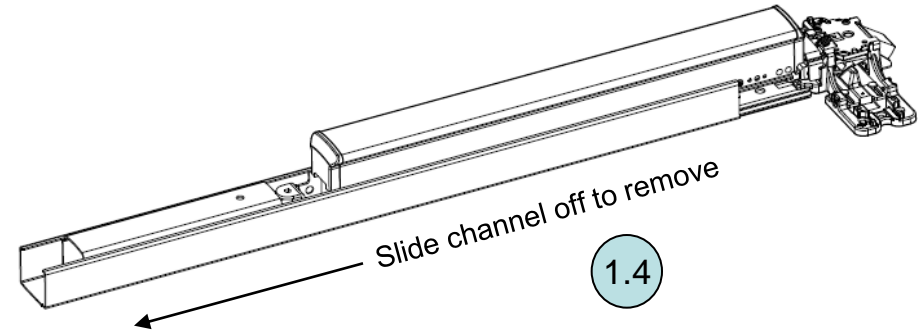
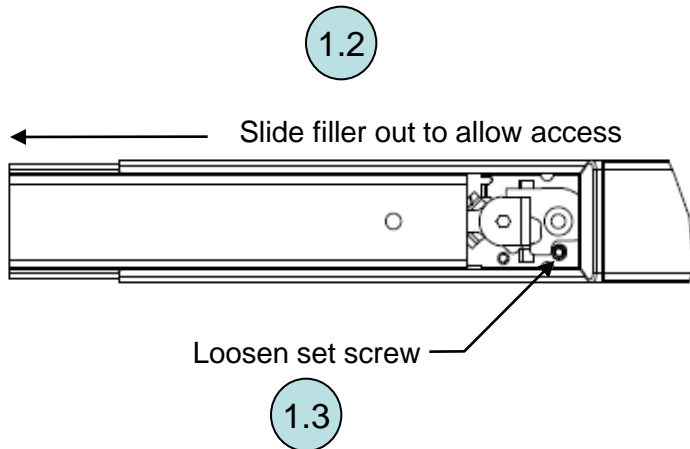
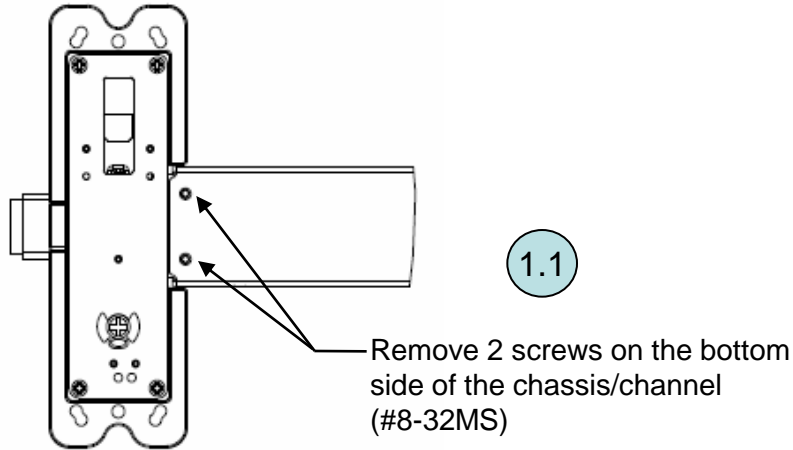


# Q Option Upgrade Kit Installation Instructions

## QSRK5267 / QSVK5268 Conversion Kits

### (1) Disassemble Channel and Touchbar



*Note: Hex-dogging rim assembly is shown as example only.*

Q Option Upgrade Kit Installation Instructions  
QSRK5267 / QSVK5268 Conversion Kits Page 1 of 3

**STANLEY**

**phi**

DRWG

05269-11-000

DATE

12/4/2008

REV

B

**Precision Hardware**

a Division of Stanley Security Solutions, Inc.

[www.stanleysecuritysolutions.com](http://www.stanleysecuritysolutions.com)

## (2) Install Touchbar Switch Assembly and Route Wires

### Q Touchbar Switch

Assembly  
(wires not shown)

2 Screws  
(#8-32MS)

Plastic Washers

2.3

Route harness as shown, keeping it clear of lower lip to avoid pinching.

Route harness through switch bracket.

2.2

**VERTICAL**  
(2203, 2703, 2803)

or  
**RIM**  
(2103)

Lever Arm

Dress harness clear of lever arm and lower lip to avoid pinching.

2.5

Route harness up through lock side filler as shown. Keep clear of moving parts and cover.

2.6 (VERTICAL)

Mount Q Touchbar Switch with 2 screws (#8-32MS) provided. Use plastic washers as spacers in-between the assembly and bracket.

2.1

Mount and adjust Bolt & Nut appropriately for switch activation.

Route harness through 2 holes at either end of subplate as shown and pull it snug.

2.4

Position harness in center and tape down underneath subplate.

2.6 (RIM)

\*Route harness through wire hole in chassis. Keep clear of moving parts.

(\* - If no hole in chassis available, disassemble and drill a thru hole)

#7 Drill (ø.201")  
for LHRB device

#7 Drill (ø.201")  
for RHRB device

.925"

**Note: ELR assembly is shown as example only.**

### Q Option Upgrade Kit Installation Instructions

QSRK5267 / QSVK5268 Conversion Kits Page 2 of 3

**STANLEY**

**phi**

DRWG

DATE

REV

05269-11-000

12/4/2008

B

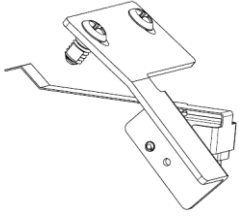
**Precision Hardware**

a Division of Stanley Security Solutions, Inc.

www.stanleysecuritysolutions.com

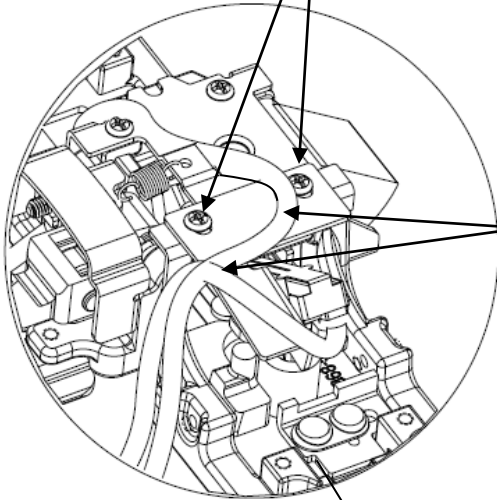
**For RIM applications (2103)**  
**(3) Install Latchbolt Switch Assembly**

**Q RIM Latchbolt Switch Assembly**  
 (wires not shown)



3.1

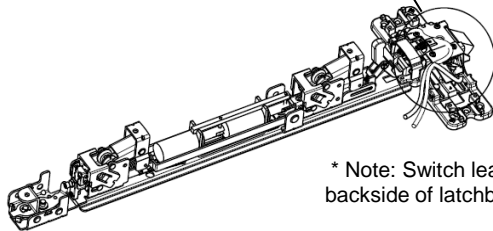
\* Mount Q Rim Latchbolt Switch Assembly to chassis with 2 screws (#8-32MS) provided.



3.2

Dress harnesses as shown, keeping them clear of moving parts. Secure harnesses with cable clamp or tape to top of chassis.

LHRB handing is shown. Mount switch on opposite side for RHRB.



\* Note: Switch leaf should be positioned under backside of latchbolt when mounted.

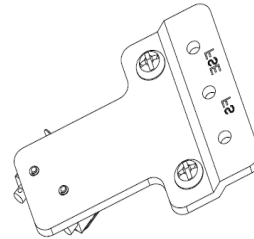
**Note: ELR assembly is shown as example only.**

**(4) Reassemble device by reversing steps 1.1 to 1.5**

Note: Refer to EXQ trim installation instructions for wire connections.

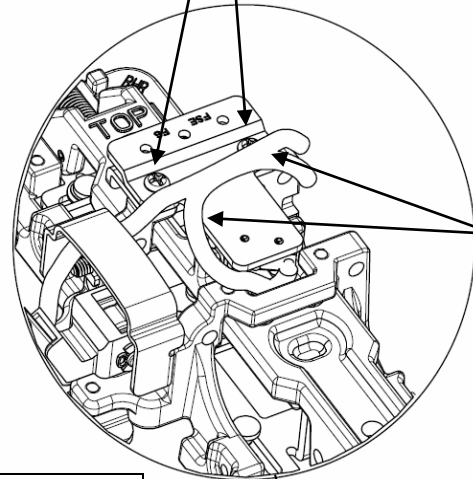
**For Vertical applications (2203, 2703, 2803)**  
**(3) Install Latchbolt Switch Assembly**

**Q Vertical Latchbolt Switch Assembly**  
 (wires not shown)



3.1

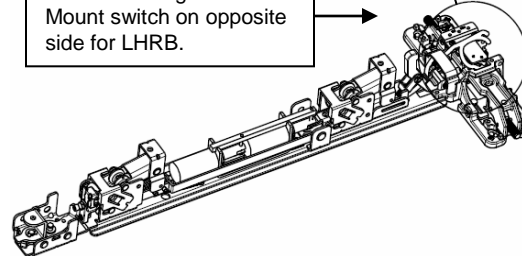
\*\* Mount Q Vertical Latchbolt Switch Assembly to chassis with 2 screws (#8-32MS) provided. Keep existing cam bracket assembly held in place while adding this assembly.



3.2

Dress harnesses as shown, keeping them clear of moving parts. Secure harnesses with cable clamp or tape to top of chassis.

RHRB handing is shown. Mount switch on opposite side for LHRB.



\*\* Note: Switch leaf should be positioned in front of rod carriage features when mounted.

