

INSTALLATION INSTRUCTIONS

DOUBLE CYLINDER (10 FUNCTION) - MORTISE SERIES MDC-10

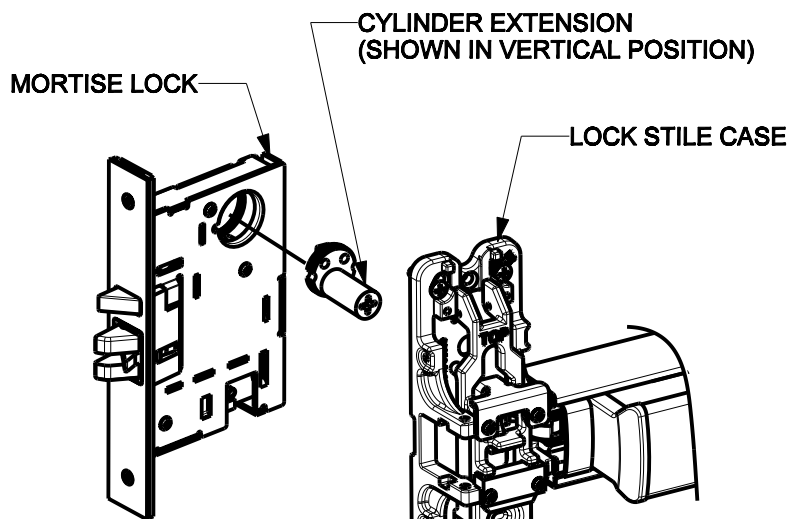
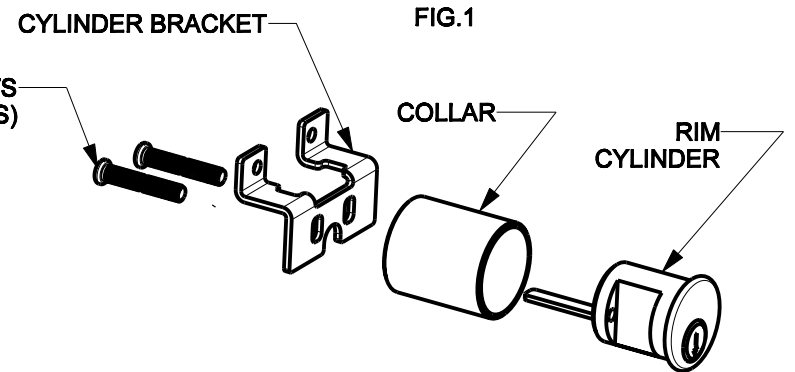
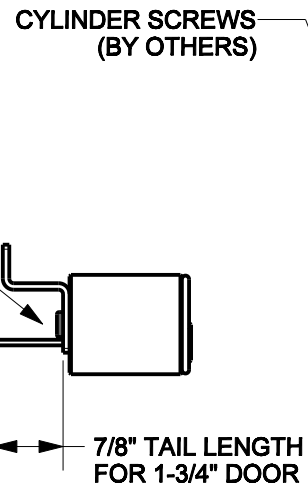
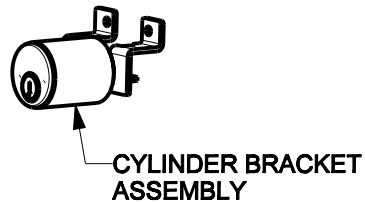
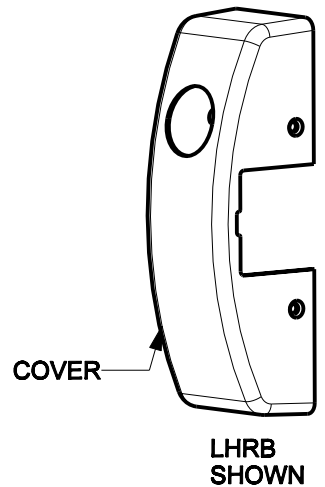


FIG.2

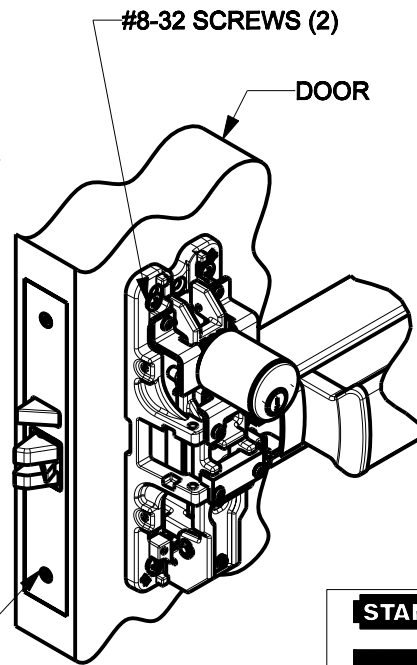


FIG.3

1. Assemble the cylinder assembly. FIG.1
2. Install mortise lock into opening.
3. Thread cylinder extension into mortise lock as shown. Cam on cylinder extension must rotate freely inside mortise lock. Tighten screw provided in lock to secure assembly. Note: Cam must be in vertical position. See Fig. 2
4. Attach Lock stile case to door.
5. Secure cylinder bracket assembly onto Lockstile case using 2 screws provided. Rim cylinder tail must engage cross cut in mortise cylinder extension. Note: Cylinder tail may have to be cut to length.
6. Assemble Cover.

NOTE: MI705, M3908, or VM3908 Trim- See installation instructions packaged with trim

STANLEY

phi

DRWG 01950-11-000 DATE 4/28/04 REVISION B

Precision Hardware
a Division of Stanley Security Solutions, Inc.
www.stanleysecuritysolutions.com