

INSTALLATION INSTRUCTIONS

DOUBLE CYLINDER (10 FUNCTION) - RIM SERIES RDC-10

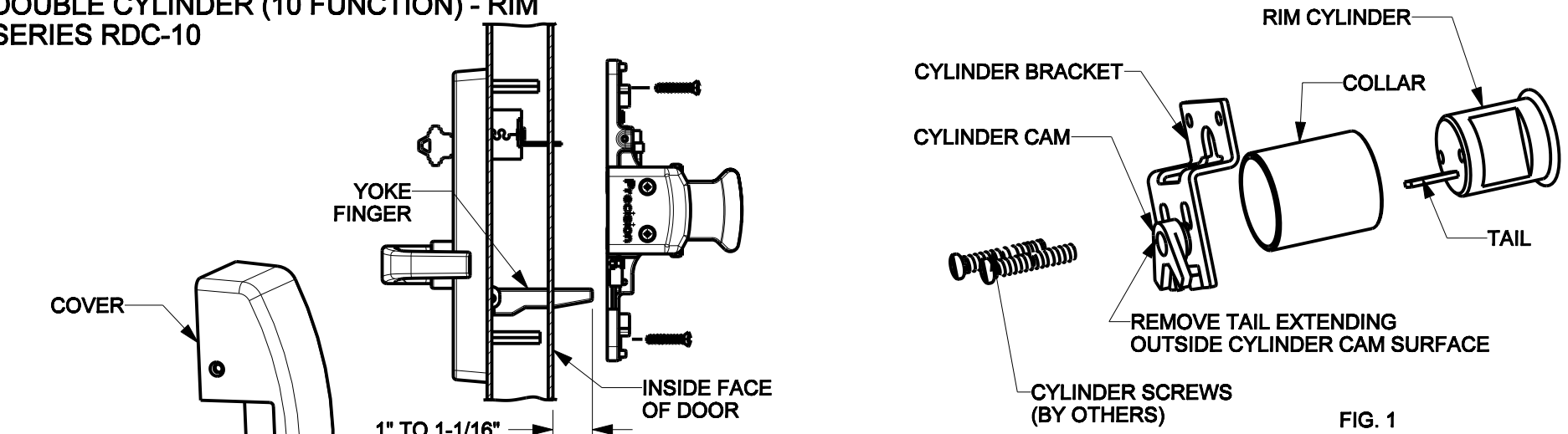
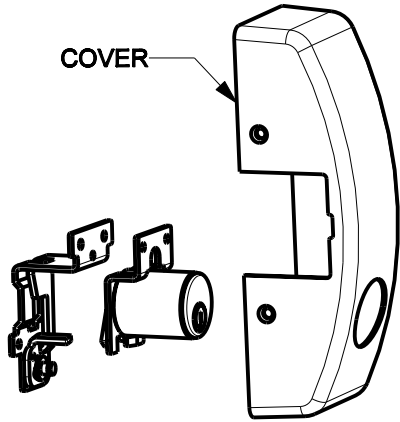


FIG. 1



RHRB SHOWN

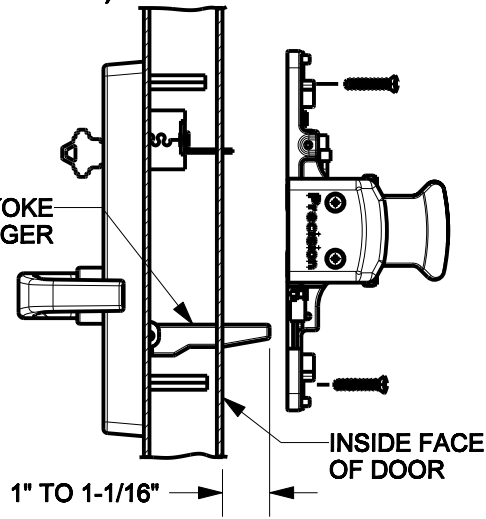


FIG. 4

DO NOT REMOVE THESE SCREWS

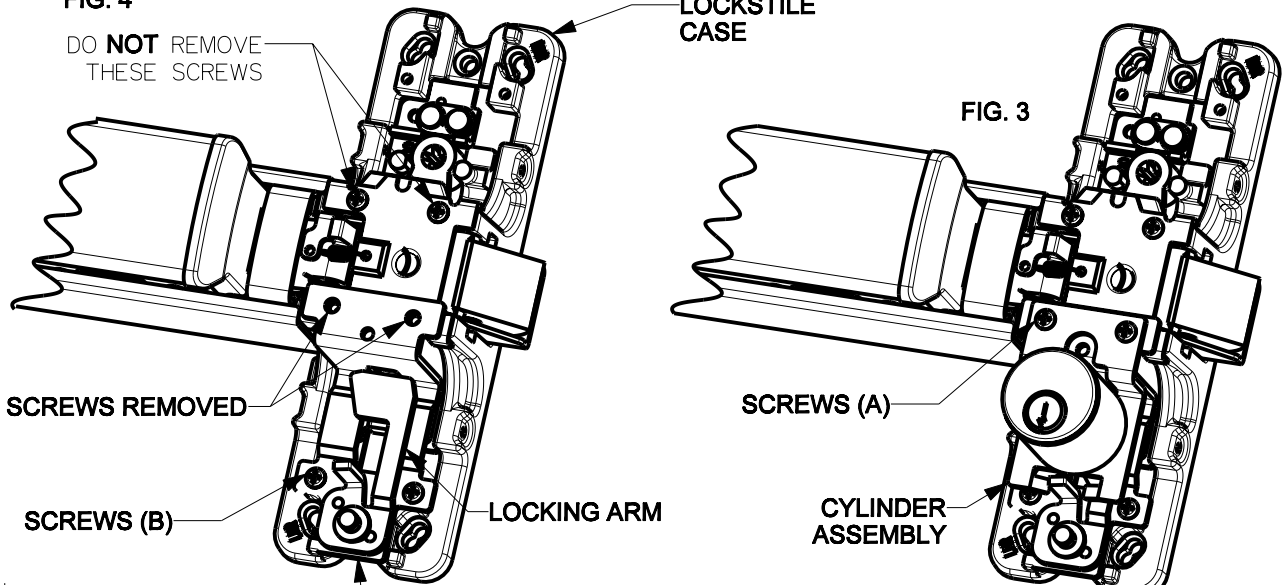


FIG. 3

FIG. 2

- 1 - Assemble the Cylinder Assembly. Fig.1
The Cylinder Tail must engage the Cylinder Cam, but not protrude outside Cam.
- 2 - Remove the 2 screws and install the Trim Locking assembly by mounting the screws at location "B" . Fig.2
- 3 - Secure the Cylinder Assembly to the Lock Stile Case with two screws at location "A". Fig. 3
- 4- Attach lock stile case to door
Note: Trim finger must not be longer than 1-1/16" past door surface. Fig. 4
5. Assemble cover.

NOTE: I705,3908, or V3908 Trim- See installation instructions packaged with trim

STANLEY

phi

DRWG 01867-11-000 DATE 5/01/04 REVISION B

Precision Hardware
a Division of Stanley Security Solutions, Inc.
www.stanleysecuritysolutions.com