

REINFORCEMENT REQUIREMENTS

PROVIDE ADEQUATE REINFORCEMENT TO METAL COVERED COMPOSITE AND HOLLOW METAL DOORS FOR THE DRILLING AND TAPPING FOR THE MACHINE SCREWS.

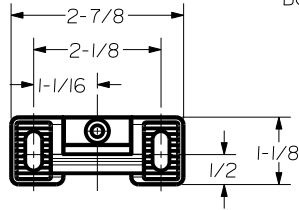
SEX NUTS AND BOLTS

SEX BOLTS ARE REQUIRED FOR PLASTIC, WOOD, METAL COVERED COMPOSITE AND HOLLOW METAL DOORS WITHOUT REINFORCEMENT

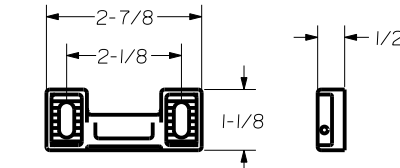
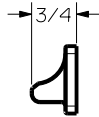
SEX BOLT MACHINING

DRILL 1/4 DIA. INSIDE
DRILL 3/8 DIA. OUTSIDE

NOTE: FITS STOCK DOORS WITH ANSI A115.17 (16I) AND ANSI A115.18 CUT-OUTS, REQUIRE TRIM THRU BOLT HOLES AT DEVICE INSTALLATION.

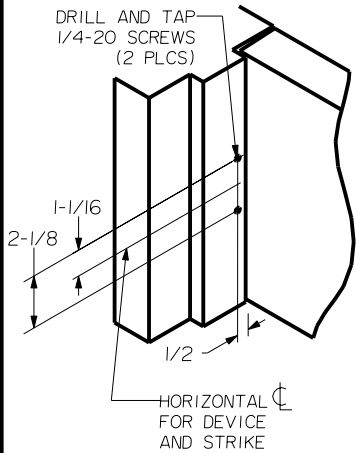


STRIKE S300 (STANDARD)
ROLLER STRIKE S301 (OPTIONAL)

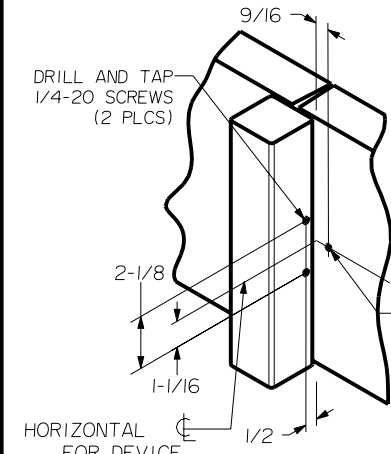


ROLLER STRIKE S458 (OPTIONAL)

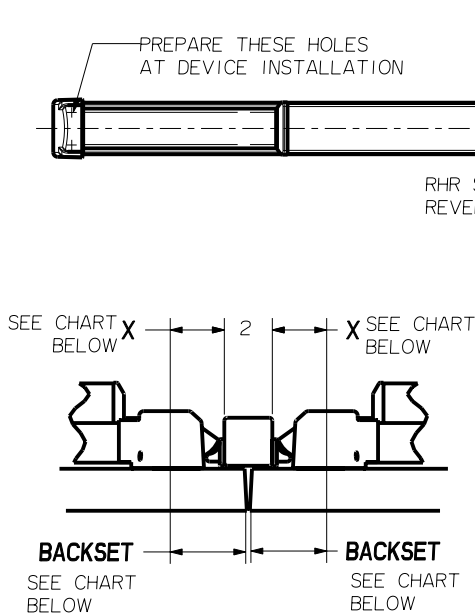
DEVICES	TRIMS	HOLE (2) PLS A	HOLE B
510I,FL510I	EXIT ONLY	#10-24 TAP INSIDE ONLY	NO
5103,FL5103	CYL ONLY		1-3/16 DIA OUTSIDE 1-3/8 DIA INSIDE
510I,FL510I	501	5/16 DIA. THRU	NO
5102,FL5102	602		1-3/8 DIA THRU
5103,FL5103	603		NO
5102,FL5102	702		1-3/8 DIA THRU
5103,FL5103	703		1-3/8 DIA THRU



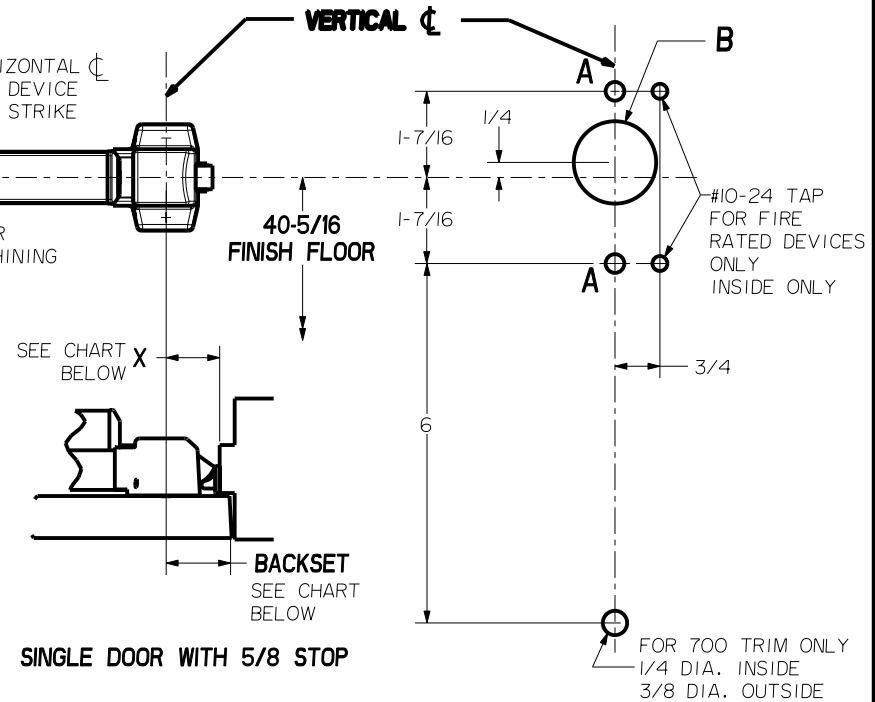
SINGLE DOOR WITH 5/8 STOP



PAIR OF DOORS WITH 811 OR 822 MULLION



PAIR OF DOORS WITH 811 OR 822 MULLION



SINGLE DOOR WITH 5/8 STOP

STRIKE	APPLICATION	BACKSET	MIN. STILE	DIM X
S300 S301	SINGLE DOOR	2-3/4	4-1/2	2-1/4
	PAIR OF DOORS	3-1/8	4-7/8	
S458	SINGLE DOOR	2-9/16	4-1/4	2-1/16
	PAIR OF DOORS	2-15/16	4-5/8	

STANLEY
phi
Precision Hardware
a Division of Stanley Security Solutions, Inc.
www.stanleysecuritysolutions.com

DEVICE SERIES		TRIM SERIES	
5100, FL5100		EXIT ONLY, CYL ONLY 501, 602, 603, 702, 703	
STRIKE NO.	RELEASED DATE	TEMPLATE NO.	REV
S300, S301, S458	5/01/05	HM-5100A	C