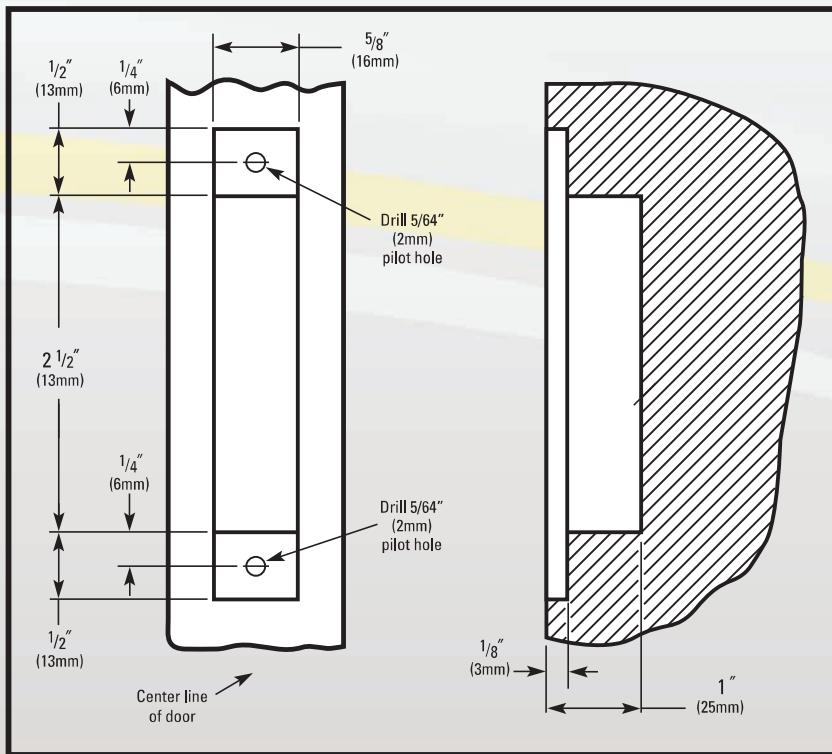




Wear Safety Goggles



1. Mortise door edge.
 2. Mark screw locations.
 3. Drill 5/64" pilot holes.
 4. Insert pull and fasten screws.
- Only clean with soft cloth, mild soap and water.

