

Barrier-Free Active Case & Touchbar (Narrow Stile Exit Device)

Series BF2400 | BF2600

Installation Instructions

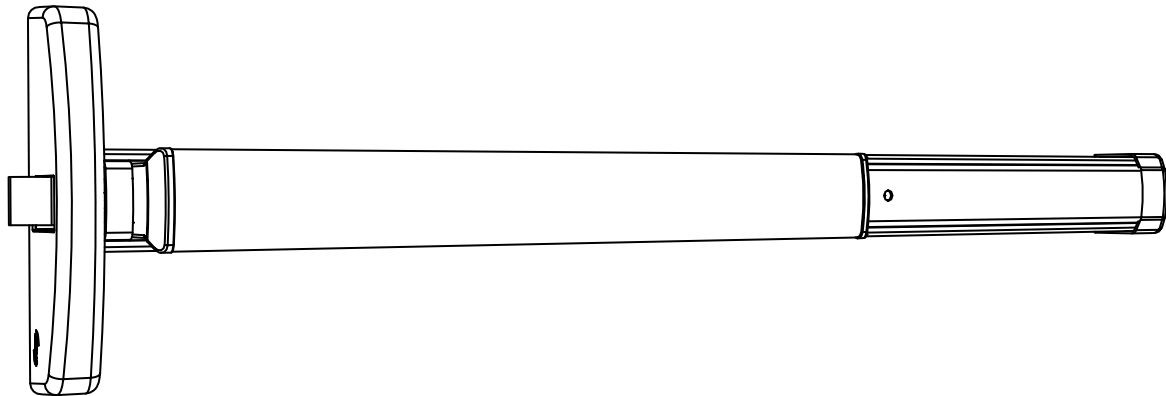


Table of contents

1	Important safety information	3
1.1	Safety warnings	4
2	Technical specifications	4
2.1	Tools needed	4
2.2	Measurements	4
2.3	Overview and parts list	5
3	Disassembly instructions	5
3.1	Removing endcap and loosening endcap bracket	5
3.2	Removing device cover and exit device	6
3.3	Removing device channel	6
3.4	Removing touchpad	7
3.5	Removing chassis from touchbar mechanism	7
4	Reassembly instructions	8
4.1	Reconnecting chassis to touchbar mechanism	8
4.2	Installing touchpad	8
4.3	Installing device channel	9
4.4	Installing device cover and mounting exit device onto door	9
4.5	Installing endcap and tightening endcap bracket	10

1 Important safety information

1.1 Safety warnings

1.1.1 Safety instructions: To reduce risk of injury or damage, carefully read and follow safety warnings, cautions and notices provided.

1.1.2 Safety warnings: Indicates a hazardous situation which, if not avoided, could result in death or serious injury.

 **WARNING**

1.1.3 Safety cautions: Indicates a hazardous situation which, if not avoided, could result in minor or moderate injury.

 **CAUTION**

- Device channel and touchbar assembly may have sharp edges.
- Hand pinch point and sharp edge hazards during install. When handling sharp or pointed components, wear protective gloves.
- Installation should be serviced by trained installers. Installer should be familiar with applicable local and national building code requirements of current ANSI/BHMA standards.

1.1.4 Notice: Indicates information considered important but not directly hazard-related.

NOTICE

- Mechanical dogging is not permitted on fire rated openings. Doing so will void fire rating.
- Install according to instructions or device will not function and panic or fire label will be void.
- Damage to equipment or incorrect equipment operation may result from an incorrect installation.
- Hazard to mechanical processes by use of control settings, elements, or procedures not documented in this set of instructions.

2 Technical specifications

2.1 Tools needed

Table 1

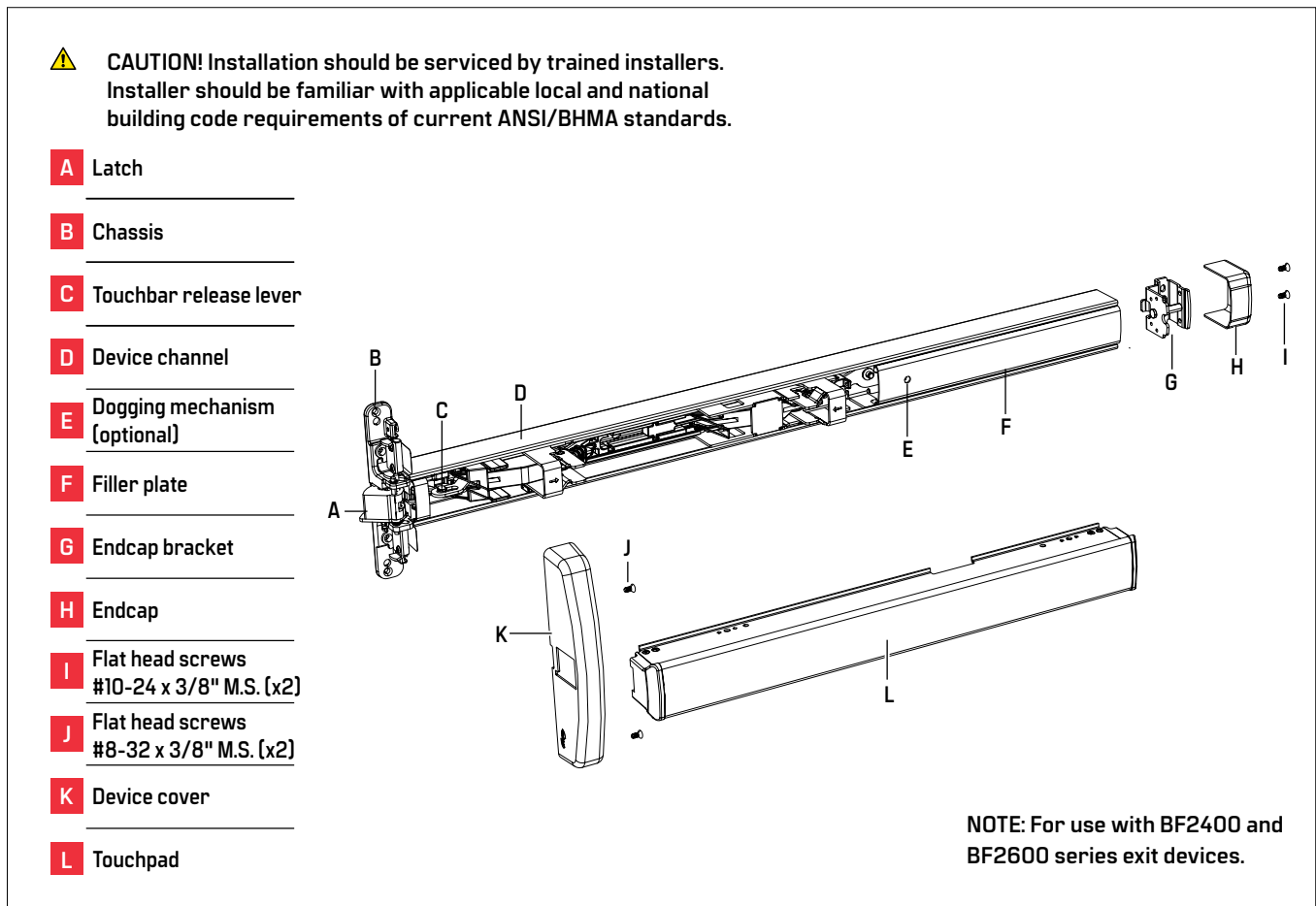
Magnetic #2 Phillips head screwdriver	Level
Slotted screwdriver	Gloves

2.2 Measurements

2.2.1 All dimensions are given in inches [millimeters].

2.3 Overview and parts list

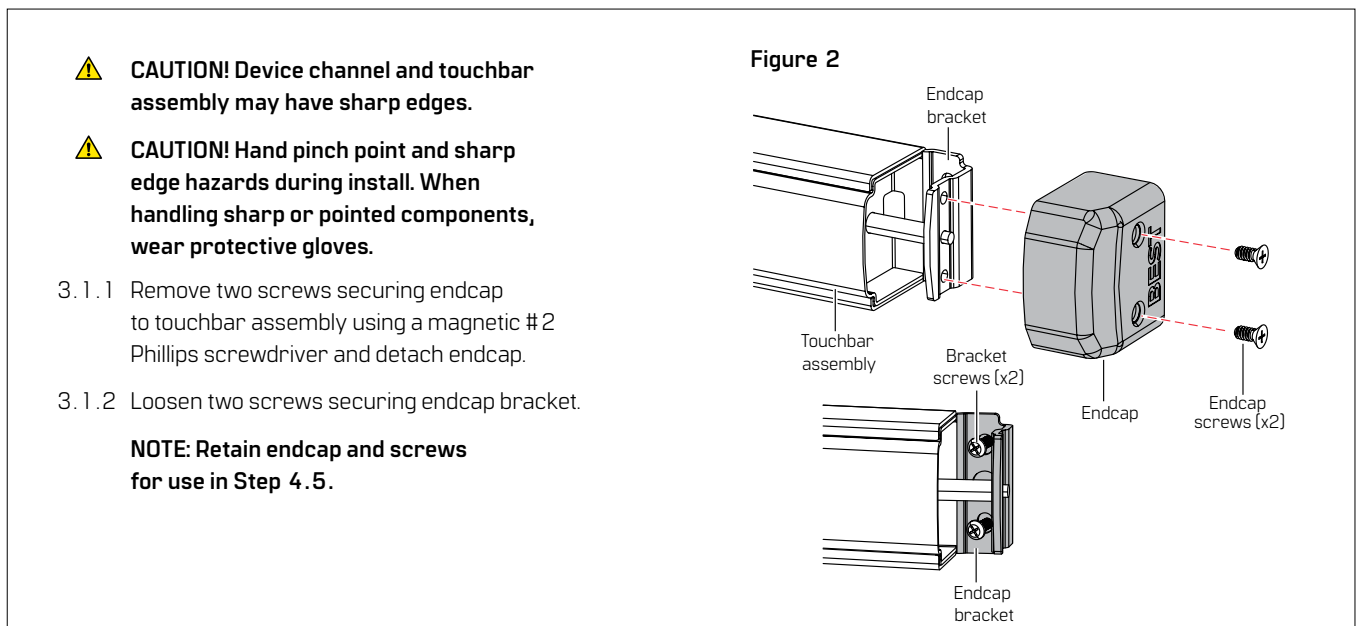
Fig. 1



3 Disassembly instructions

3.1 Removing endcap and loosening endcap bracket

Fig. 2



3.2 Removing device cover and exit device

Fig. 3

3.2.1 Remove two screws securing device cover to chassis and detach device cover.

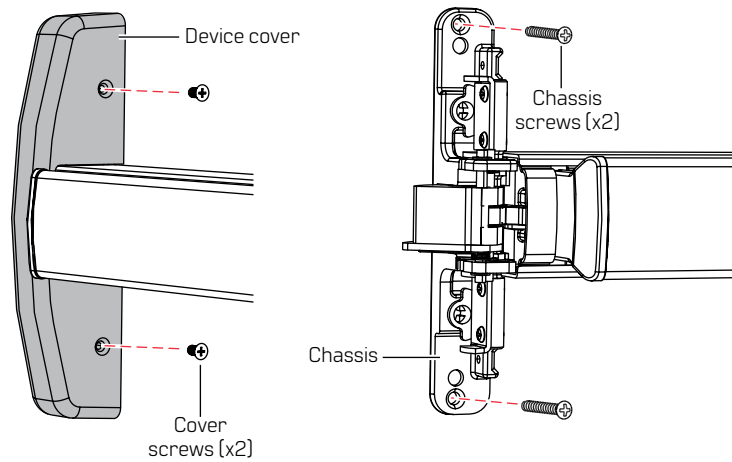
3.2.2 Remove two screws securing chassis to outside trim.

NOTE: Secure outside trim prior to exit device removal if necessary.

3.2.3 Remove exit device from door.

NOTE: Retain device cover and screws for use in Step 4.4.

Figure 3



3.3 Removing device channel

Fig. 4

3.3.1 Turn exit device face down.

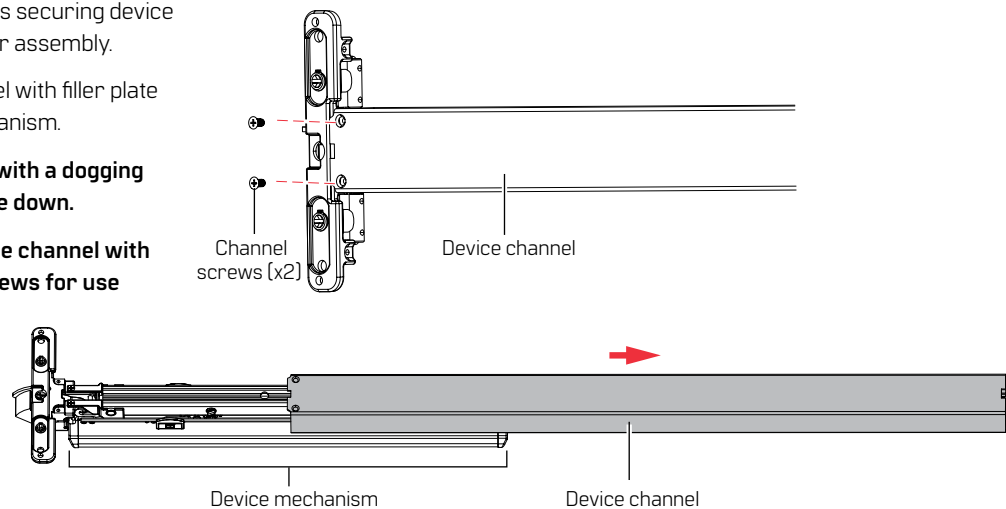
3.3.2 Remove two screws securing device channel to touchbar assembly.

3.3.3 Slide device channel with filler plate off touchbar mechanism.

NOTE: If equipped with a dogging feature, dog device down.

NOTE: Retain device channel with filler plate and screws for use in Step 4.3.

Figure 4



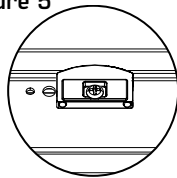
3.4 Removing touchpad

Fig. 5, Fig. 6

- 3.4.1 Turn exit device onto its side.
- 3.4.2 Remove two screws and two bumpers securing touchpad.
- 3.4.3 Flip exit device to opposite side and remove remaining two screws and two bumpers.
- 3.4.4 Turn exit device face up and lift off touchpad.

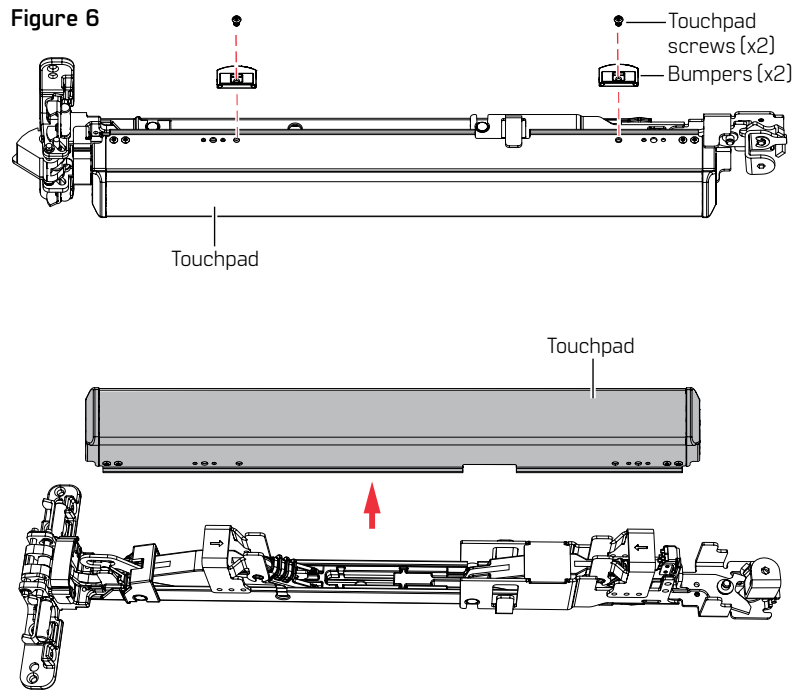
NOTE: Observe screw-bumper orientation for reassembly.

Figure 5



NOTE: Retain touchpad, screws and bumpers for use in Step 4.2.

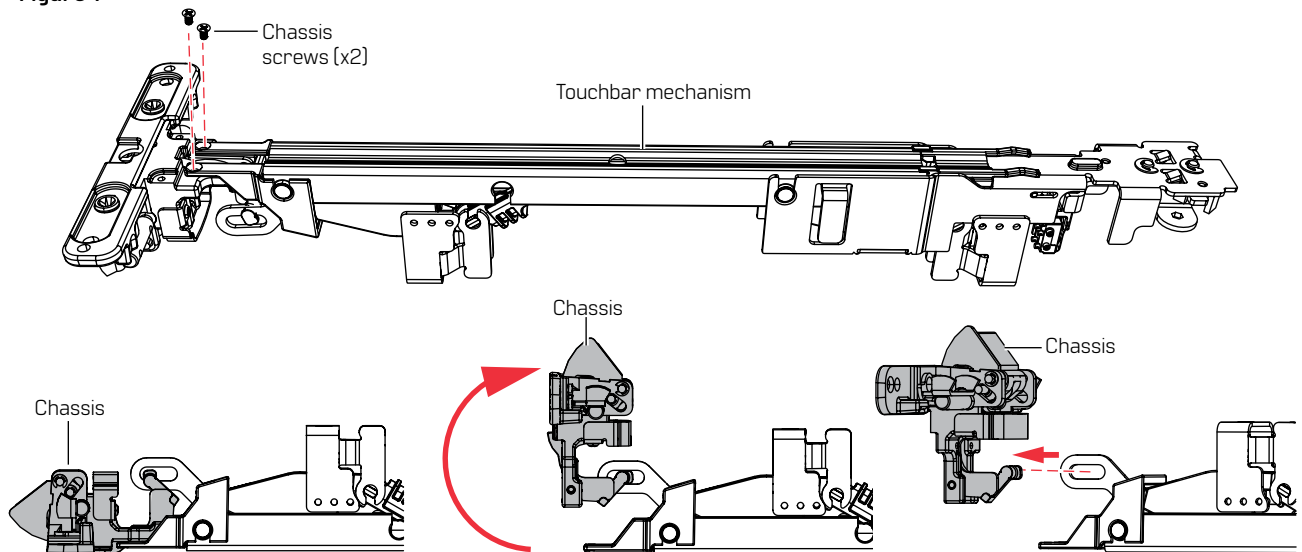
Figure 6



3.5 Removing chassis from touchbar mechanism

Fig. 7

Figure 7



- 3.5.1 Turn exit device face down.
- 3.5.2 Remove two screws from touchbar mechanism securing chassis to touchbar assembly and detach chassis.
- 3.5.3 Turn exit device face up.

- 3.5.4 Rotate chassis 90° and disengage release lever from touchbar mechanism.
- 3.5.5 Discard existing touchbar mechanism assembly or chassis, as required.

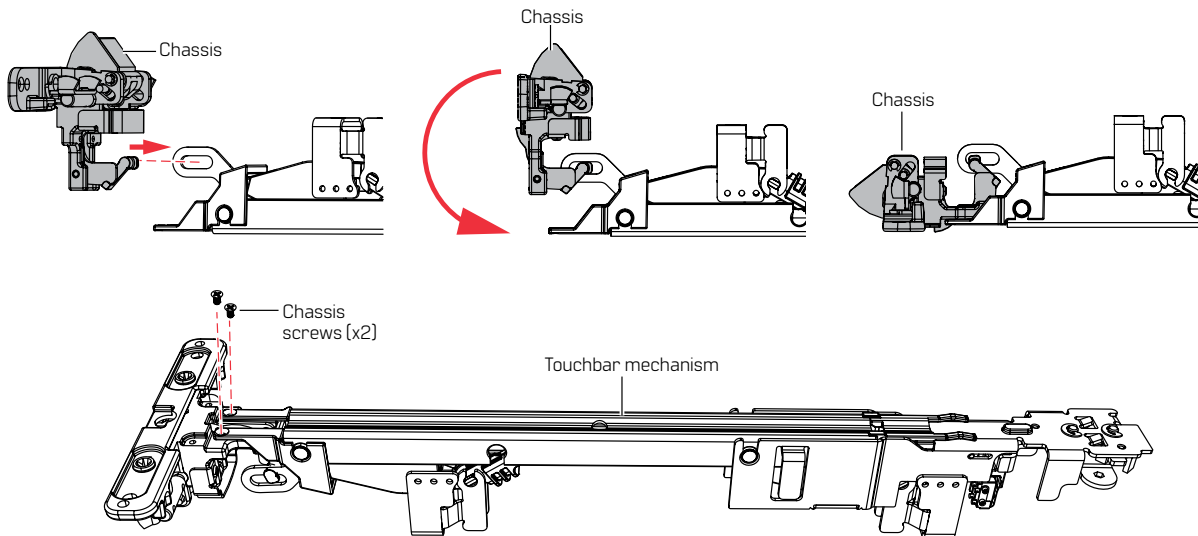
NOTE: Retain touchbar mechanism and screws for use in Step 4.1.

4 Reassembly instructions

4.1 Reconnecting chassis to touchbar mechanism

Fig. 8

Figure 8



4.1.1 Turn exit device face up.

4.1.2 Engage release lever by inserting it into oval hole of touchbar mechanism.

4.1.3 Rotate chassis 90° to align chassis with touchbar mechanism.

4.1.4 Turn exit device face down.

4.1.5 Align screw holes of touchbar mechanism with chassis.

4.1.6 Install two screws through touchbar mechanism into chassis and secure.

NOTE: Use touchbar mechanism or chassis and screws retained from Step 3.5.

4.2 Installing touchpad

Fig. 9, Fig. 10

4.2.1 Turn exit device face up.

4.2.2 Position touchpad onto touchbar mechanism, aligning screw holes.

NOTE: Compress touchpad onto touchbar prior to bumper installation.

4.2.3 Turn exit device onto its side and install two screws and two bumpers.

4.2.4 Flip exit device to opposite side and install remaining two screws and two bumpers.

4.2.5 Tighten all four screws to securely attach touchpad.

NOTE: Ensure screw pads are oriented correctly, matching their original configuration.

Figure 9

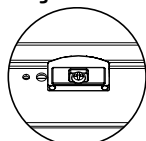
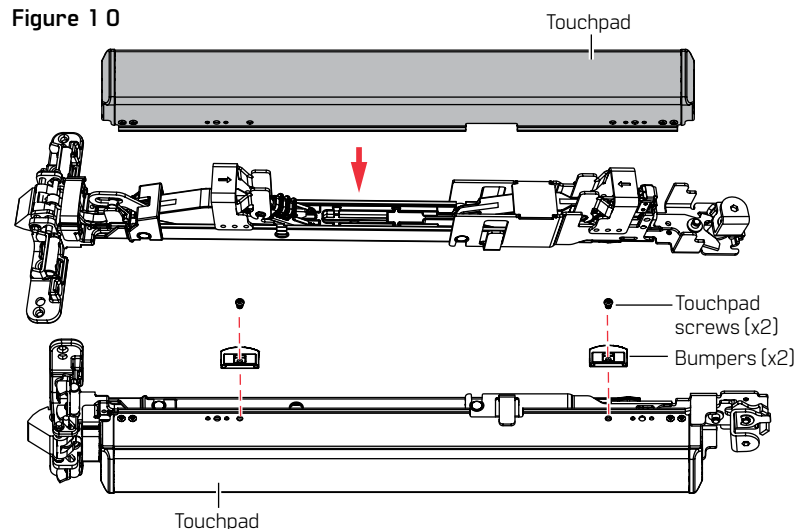


Figure 10

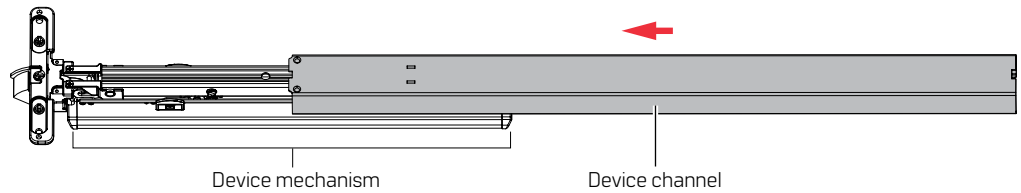


NOTE: Use touchpad, screws, and bumpers retained from Step 3.4.

4.3 Installing device channel

Fig. 1 1

Figure 1 1



- 4.3.1 Turn exit device face down.

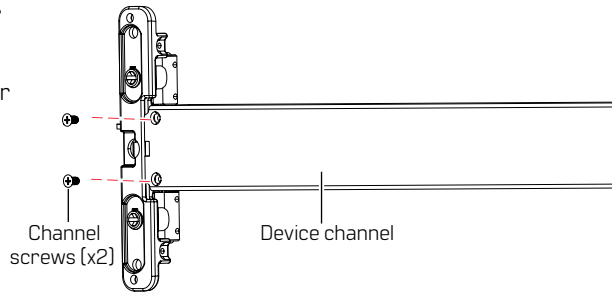
NOTE: Compress touchpad onto touchbar prior to installing device channel with filler plate.

- 4.3.2 Slide device channel with filler plate onto touchbar mechanism aligning screw holes.

- 4.3.3 Install two screws through device channel into touchbar mechanism and secure.

NOTE: If equipped with a dogging feature, dog device down.

NOTE: Use device channel and screws retained from Step 3.3.



4.4 Installing device cover and mounting exit device onto door

Fig. 1 2

- 4.4.1 Slide touchbar assembly onto endcap bracket.

NOTE: Use device cover and screws retained from Step 3.2.

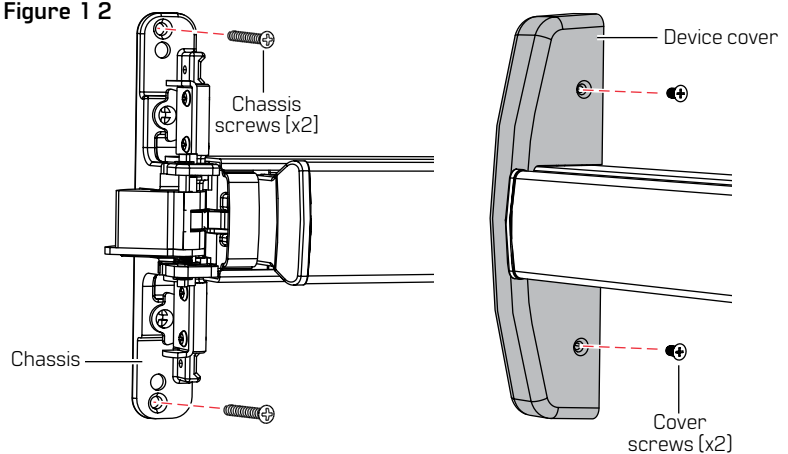
- 4.4.2 Position chassis on door aligning mounting holes to outside trim.

- 4.4.3 Install two screws through chassis into trim and secure if necessary.

- 4.4.4 Position device cover over chassis, aligning screw holes.

- 4.4.5 Install two screws through device cover into chassis and secure.

Figure 1 2



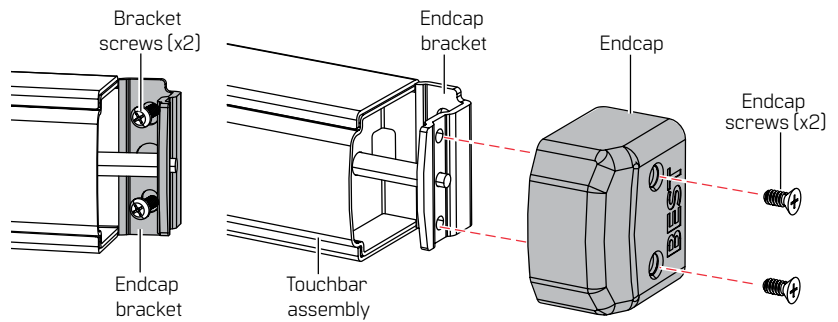
4.5 Installing endcap and tightening endcap bracket

Fig. 1 3

- 4.5.1 Tighten two screws securing endcap bracket.
- 4.5.2 Position endcap over endcap bracket, aligning screw holes.
- 4.5.3 Install two screws through endcap into endcap bracket and secure.

NOTE: Use endcap and screws retained from Step 3.1.

Figure 1 3



NOTE: For installation assistance, visit the Knowledge Base and reference documents T93616_B and T93644_B.



Document translations available.

Scan for product details and downloads.

Call 1-800-392-5209 or visit

<https://dhwsupport.dormakaba.com/hc/en-us>

for assistance and warranty information.

⚠ WARNING! This Manufacturer advises that no lock can provide complete security by itself. This lock may be defeated by forcible or technical means, or evaded by entry elsewhere on the property. No lock can substitute for caution, awareness of your environment, and common sense. Builder's hardware is available in multiple performance grades to suit the application. In order to enhance security and reduce risk, you should consult a qualified locksmith or other security professional.