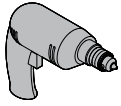


Series: 2600, 2700, 2800 Exit Device – Longer Bottom Rod Modification and Assembly – Installation Instructions

TOOLS NEEDED:

Drill

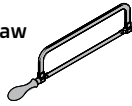


Drill bit



3/16" [4.76]

Hacksaw



Pencil



Ruler



1 DETERMINING INSTALLATION HEIGHT

These instructions explain how to modify an extra-length bottom rod for the Precision 2600, 2700 and 2800 exit devices.

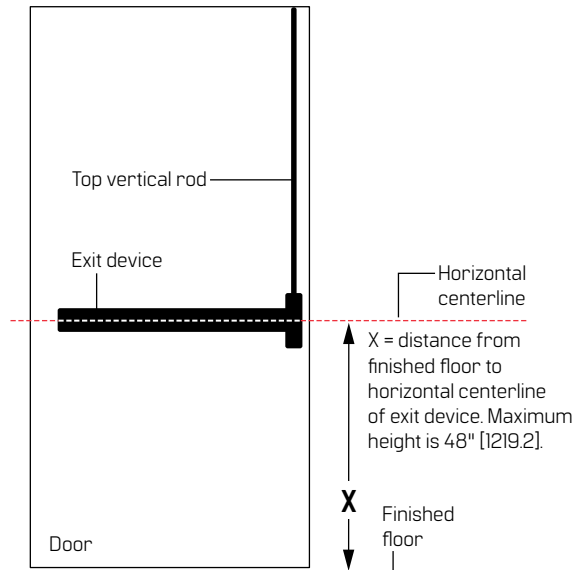
Follow these steps to cut and assemble the correct-length bottom rod for the device. Refer to installation instructions provided with the exit device for complete installation details.

This procedure is necessary only when installing an exit device above the standard mounting height of 39-15/16" [1014.4] from finished floor.

- 1.1 If exit device is already installed on door, measure from finished floor to horizontal centerline of exit device, as shown in Fig. 1.

NOTE: If exit device is not yet installed, determine mounting height by referencing device installation instructions and consulting with proper authorities.

Figure 1



NOTE: According to ADA requirements, maximum allowable installation height for an exit device is 48" [1219.2].

2 DETERMINING LENGTH OF BOTTOM ROD

- 2.1 Use table below to determine correct length of bottom rod.

NOTE: All measurements are in inches and millimeters.

NOTICE: Identify device model before determining bottom rod length.

- 2.2 For fractional X mounting heights, use following formula to determine bottom rod length:

[X is mounting height of exit device.]

• 2600 and 2800 rod length = $X - 12"$ [304.8]

• 2700 rod length = $X - 5 - 7/8"$ [149.23]

Example: For a 2600 exit device, with a mounting height of 44.50" [1130.3], calculate rod length as follows:

• **2600 rod length** = 44.50" [1130.3] - 12" [304.8] = **32.50" [825.5]**

Table 1

Mounting height (X) from finished floor to centerline	Rod length for 2600 and 2800 devices	Rod length for 2700 devices
39-15/16" [1014.4]	Original rod	Original rod
41" [1041.4]	29" [736.6]	35-1/8" [892.18]
42" [1066.8]	30" [762.0]	36-1/8" [917.58]
43" [1092.2]	31" [787.4]	37-1/8" [942.98]
44" [1117.6]	32" [812.8]	38-1/8" [968.38]
45" [1143.0]	33" [838.2]	39-1/8" [993.78]
46" [1168.4]	34" [863.6]	40-1/8" [1019.18]
47" [1193.8]	35" [889.0]	41-1/8" [1044.58]
48" [1219.2]	36" [914.4]	42-1/8" [1069.98]

3 MODIFYING LENGTH OF LONGER BOTTOM ROD

For 2600 and 2800 exit devices:

- 3.1 Cut rod to length determined in previous steps by removing material opposite from end with threads.

IMPORTANT: Do not cut into threads or cut threads off.

- 3.2 Drill a .187, 3/16", [4.76] hole, .31" [7.87] from end, as shown in Fig. 2.

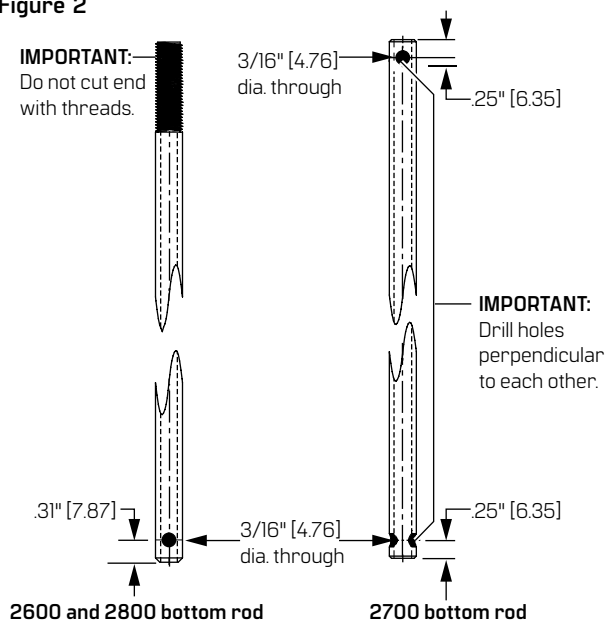
For 2700 exit devices:

- 3.1 Cut rod to length determined in previous steps by removing material from one (either) end.

- 3.2 Drill a .187, 3/16", [4.76] hole, .25" [6.35] from end, as shown in Fig. 2.

IMPORTANT: Ensure drill holes are perpendicular to each other (see Fig. 2).

Figure 2



4 ASSEMBLING LONGER BOTTOM ROD

For 2600 and 2800 exit devices

- 4.1 Disassemble standard bottom rod by removing C pin securing shot bolt, as shown in Fig. 3.
- 4.2 Reassemble modified longer bottom rod, as shown in Fig. 3.

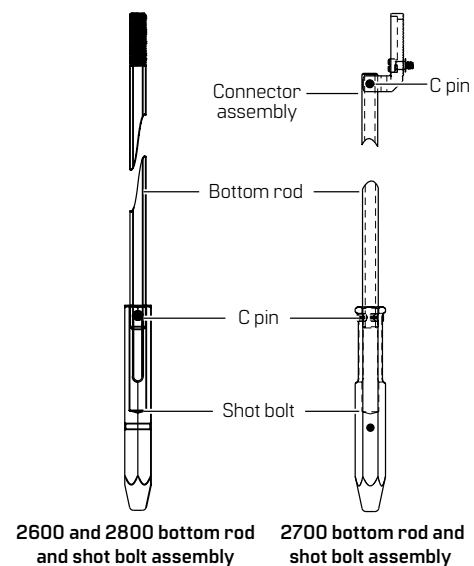
For 2700 exit devices

- 4.1 Disassemble standard bottom rod by removing C pins securing shot bolt and connector assembly, as shown in Fig. 3.
- 4.2 Reassemble modified longer bottom rod.

For all exit devices

- 4.1 Complete exit device installation using installation instructions provided with device.

Figure 3



Document translations available.

Scan for product details and downloads.

Call 1-800-392-5209 or visit

<https://dhwsupport.dormakaba.com/hc/en-us>

for assistance and warranty information.

⚠ WARNING! This Manufacturer advises that no lock can provide complete security by itself. This lock may be defeated by forcible or technical means, or evaded by entry elsewhere on the property. No lock can substitute for caution, awareness of your environment, and common sense. Builder's hardware is available in multiple performance grades to suit the application. In order to enhance security and reduce risk, you should consult a qualified locksmith or other security professional.