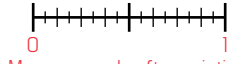
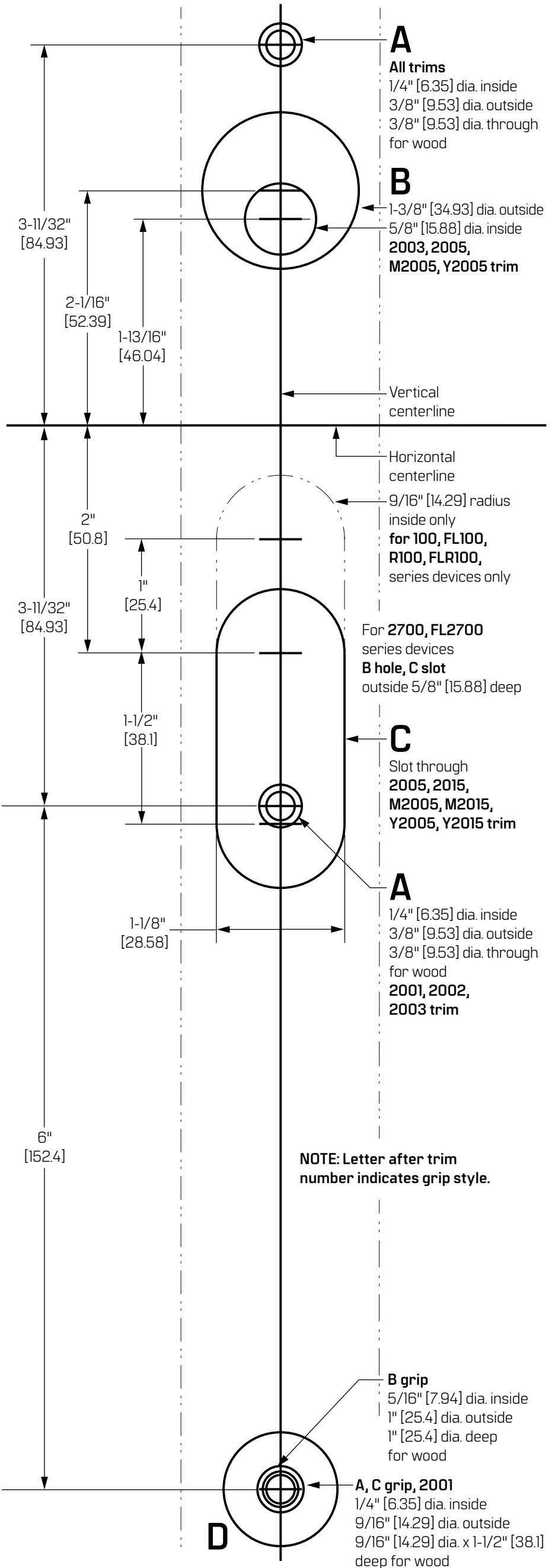


For online instructions, assistance or warranty information:
Call 1-800-392-5209 or visit <https://dhwsupport.dormakaba.com/hc/en-us>

Verify exactly
1" [25.4 mm].



Measure scale after printing.
Template is to scale 1:1, full-size.



**NOTE: Letter after trim
number indicates grip style.**

Template is to scale 1:1, full-size.