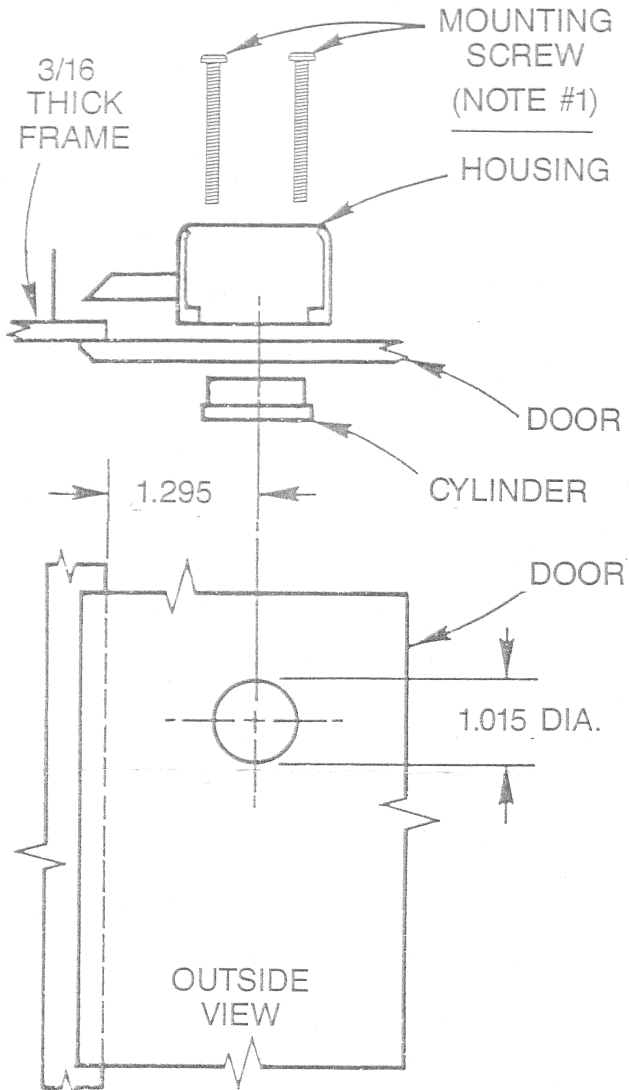


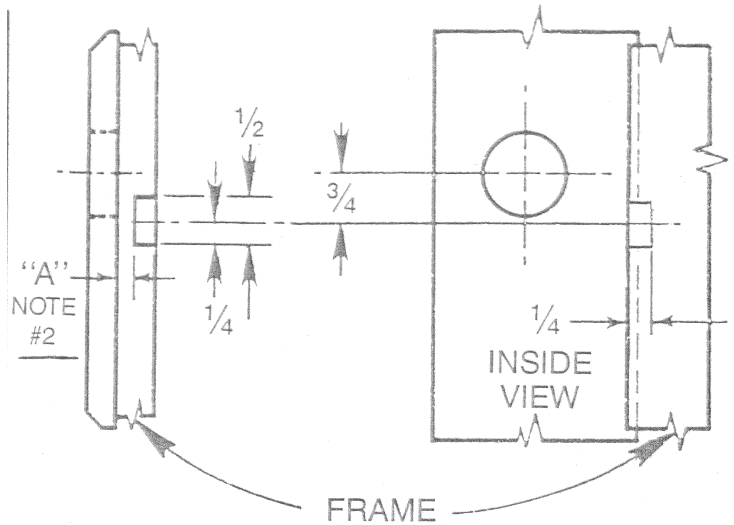
# Installation Instructions for 8L7SPR Mailbox Lock (A-7117 & A-7175 Series)



**1.** DRILL A 1.015" DIAMETER HOLE IN THE DOOR, 1.295" FROM THE EDGE OF THE FRAME. INSERT THE CYLINDER INTO THE HOLE FROM THE OUTSIDE. TIGHTEN THE HOUSING SECURELY TO THE CYLINDER WITH THE TWO MOUNTING SCREWS PROVIDED. KEEP THE LATCH PERPENDICULAR TO THE EDGE OF THE DOOR. CHECK FOR CORRECT OPERATION. IF THE FRAME IS NOT 3/16" THICK, SEE STEPS 2 AND 3.

NOTE #1: A-7175-1 is supplied with long screws for 1/4" thick door.

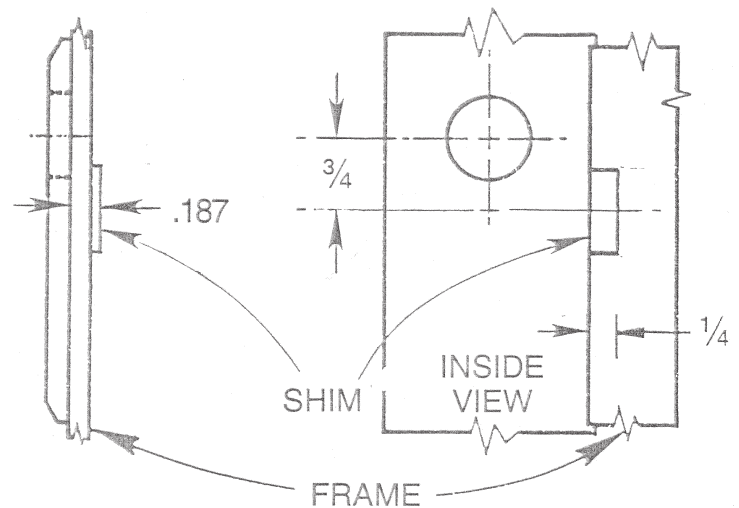
A-7175-2 is supplied with short screws for 1/8" thin door.



**2.** FOR FRAMES THICKER THAN 3/16", CUT A 1/2" x 1/4" SLOT IN THE FRAME, 3/4" BELOW THE CENTER LINE OF THE HOLE IN THE DOOR. CUT THE SLOT SO THAT DIMENSION "A" OF THE FRAME REMAINS.

NOTE #2 "A" = .187" for A-7175 Series.

"A" = .303" for A-7117 Series.



**3.** FOR FRAMES LESS THAN 3/16" THICK, ATTACH A SHIM (NOT FURNISHED) TO THE INSIDE OF THE FRAME BY BRAZING, SCREWS OR ANY OTHER SUITABLE METHOD SO THAT THE LATCH AREA OF THE FRAME IS .187" THICK. IT SHOULD BE MOUNTED FLUSH WITH THE FRAME AND ON THE CENTER LINE OF THE LATCH TO USE THE A-7175 SERIES.