

Installation Instructions for 5L Trim Ring

1 Install trim ring

- 1 Drill a 1 1/4" cylinder hole. See the proper installation specification for the cylinder hole position.
- 2 Push the ring into the mounting hole and make sure that it fits securely. See Figure 1.

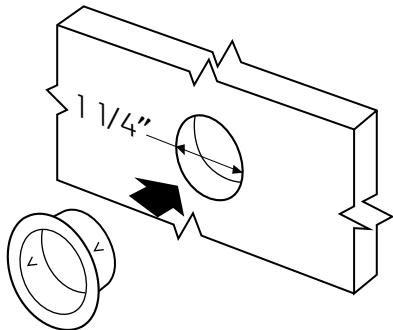


Figure 1 – Fitting the trim ring into the cylinder hole

Note: If the ring fits loosely, remove it and bend the tabs for a tighter fit.

2 Install 5L cylinder

- 1 Carefully slide the cylinder into the cylinder hole from the back side as shown in Figure 2.

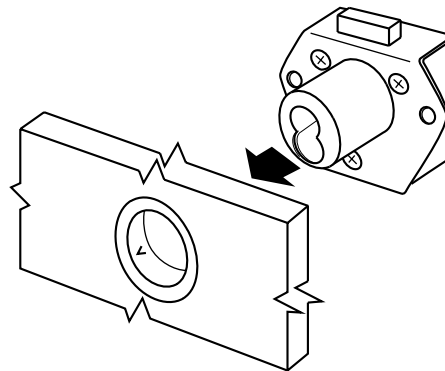


Figure 2 – Sliding the 5L lock into the cylinder hole

- 2 Secure the lock to the panel with the screws provided.