

## Overview

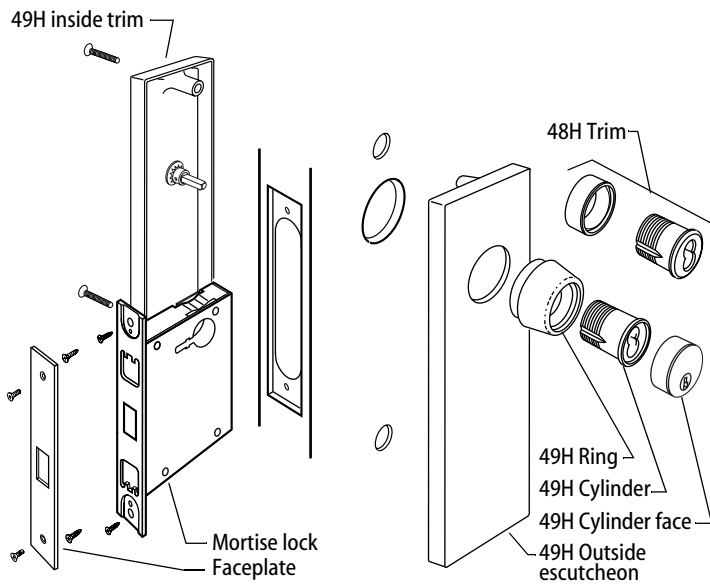


Figure 1 48H and 49H Mortise Lock overview diagram

## 1 Mark centerlines

**Caution:** If you use hollow metal doors, decide whether the doors are reinforced enough to support the lock. If the door reinforcement is not adequate, consult the door manufacturer about proper reinforcement.

**Note:** Prepare the door according to ANSI A115.1 before using these instructions.

- 1 Mark the horizontal centerline of the lock on both sides of the door and on the door's edge.

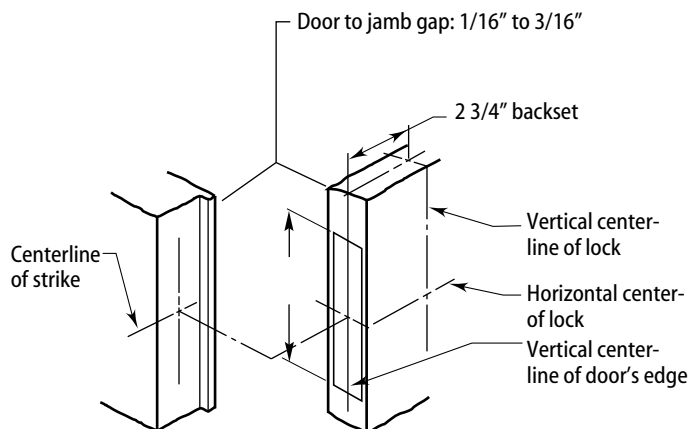


Figure 2 Marking the centerlines on the door

**Note:** BEST suggests a 38" height as measured from floor to lock centerline.

- 2 Mark the vertical centerline of the lock on the door edge.
- 3 Mark the vertical centerline of the lock on both sides of the door as measured from the vertical centerline on the door's edge.
- 4 Mark the horizontal centerline of the strike on the door jamb in line with the centerline of the lock.

## 2 Mark drill points

- 1 Cut the H18 template along the dotted line and align the horizontal and vertical arrows to the marked centerlines on the door.

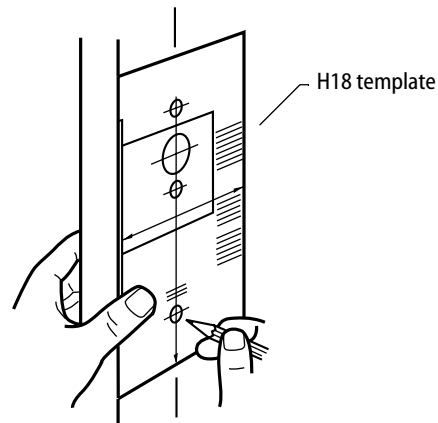


Figure 3 Marking the drill points with the template

- 2 Tape the template onto the door.

## 3 Install strike

- 1 Using the H18 template, mortise the jamb and install the strike and strike box. See *Installation Specifications*, Template H17 for dimensions.

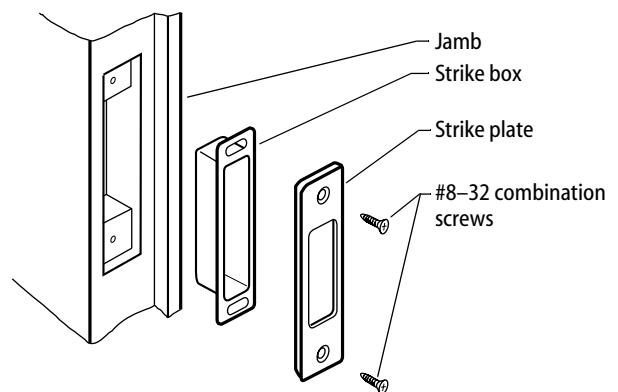


Figure 4 Installing the strike box and strike

## 4 Mortise and drill holes

- 1 Mortise the door for the lock case and faceplate.

**Note:** Check the lock for function before drilling.

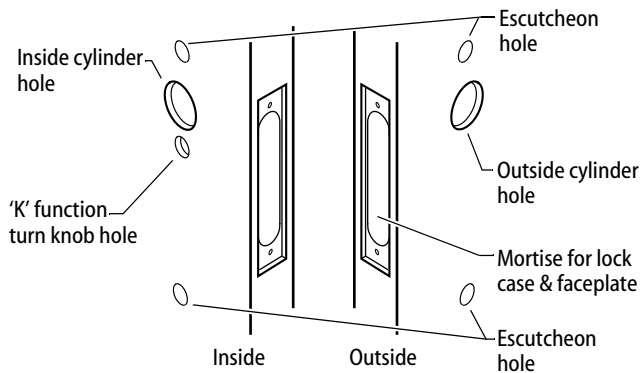


Figure 5 Mortising and drilling holes

- 2 Drill only those holes required for the lock function and trim. See Installation Specifications for hole requirements in Template H17.

## 5 Install mortise case

- 1 Remove the faceplate from the lock.

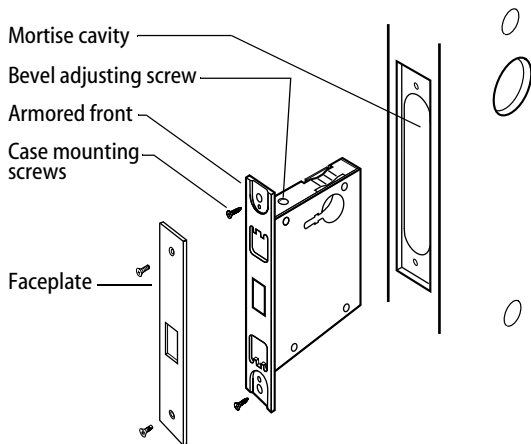


Figure 6 Installing the mortise case

- 2 Loosen the bevel adjusting screws on the top and bottom of the lock case and adjust the bevel of the armored front to match the door bevel. Retighten the screws.

### For 'R' function only:

- Check the cylinder and lock for proper operation.

**Caution:** If the handing of the 'R' turn knob is incorrect, you can be locked in.

- 3 Install the lock into the mortise cavity.
- 4 Secure the lock case with the case mounting screws.

## 6 Install trim

### To install 48H trim:

- 1 Install cylinder(s) and ring(s) and fasten with cylinder clamp screw(s).
- 2 Install thumb turn if needed.

- 3 Reinstall the faceplate.

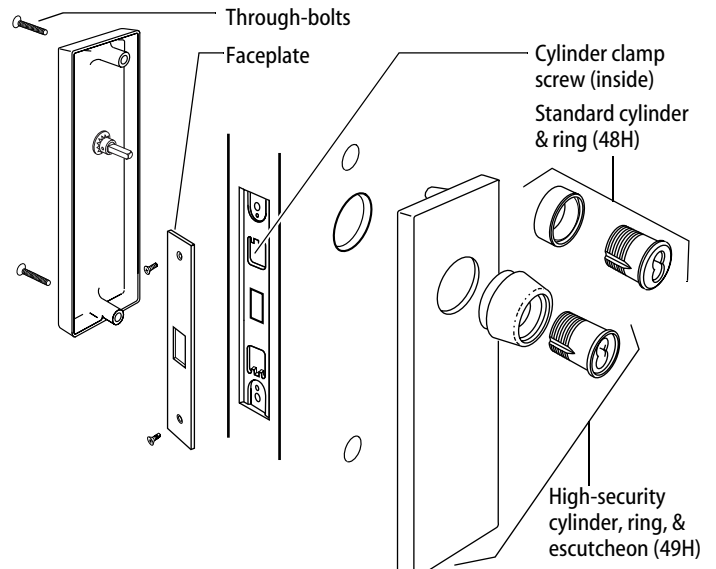


Figure 7 Installing 48H or 49H trim

- 4 Check the lock for proper operation.

### To install 49H trim:

- 1 Position inside and outside escutcheons opposite each other and screw them loosely in place.
- 2 Put the high security cylinder(s) and ring(s) into the cylinder hole(s). Thread the cylinder(s) into the case until the cylinder head touches the inside rim of the ring.
- 3 Secure the cylinder(s) with the cylinder clamp screw(s).
- 4 Tighten the through-bolts.
- 5 Reinstall the faceplate.

## 7 Install core

### For 5C cores only:

- Slide the cylinder face down over the 5C core.

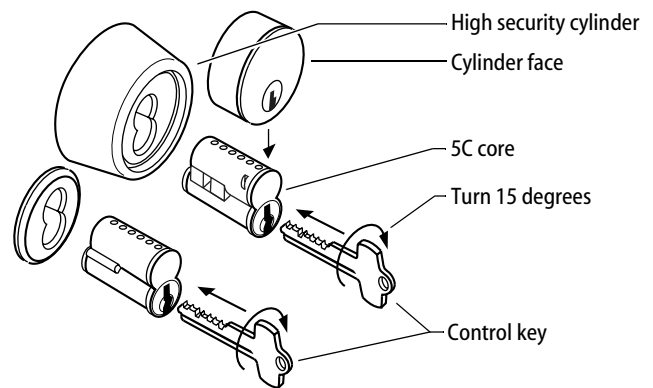


Figure 8 Installing the core

### For all cores:

- 1 Put the control key into the core (or cylinder face) and turn the key 15 degrees clockwise.
- 2 Adjust the throw pins if needed, then put the core (and cylinder face) into the cylinder with the control key.
- 3 Turn the key 15 degrees counterclockwise and remove the key.

**Note:** Follow these steps to remove the core also.