

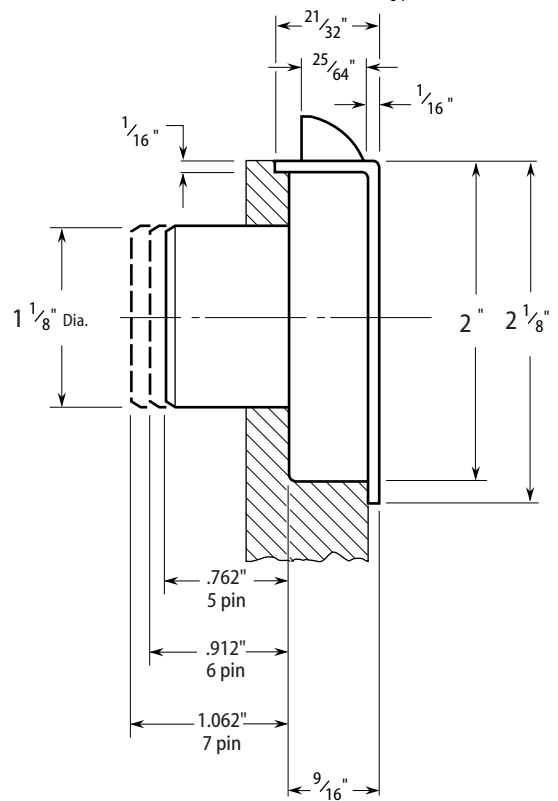
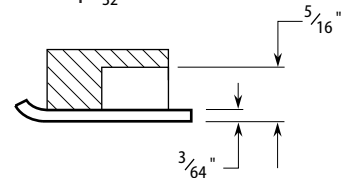
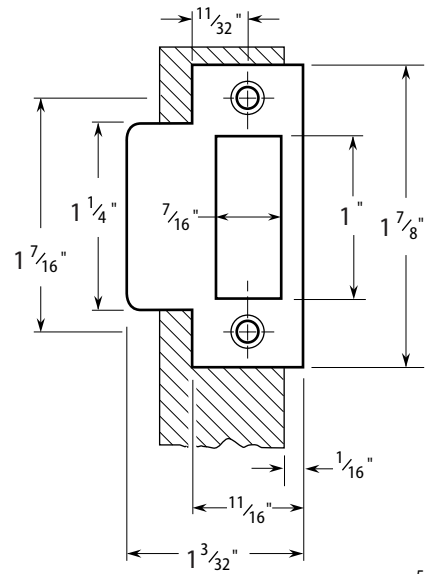
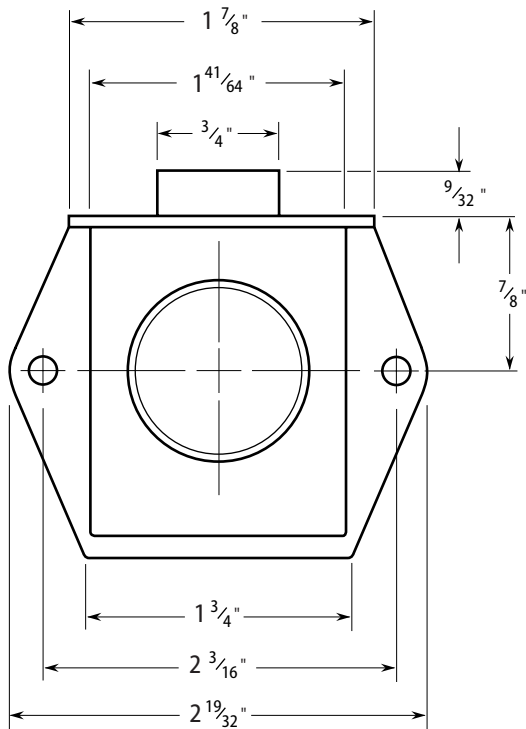
# Installation Specifications for 5L7ML Cabinet Lock



dormakaba Group

**Template Number:** L09  
**Series:** 5L  
**Backset:** 7/8"  
**Door Thickness:** 21/32" - 1 1/2"

DO NOT SCALE



Screw	For wood or metal doors
Mounting screws (2)	#8 X 5/8" RH sheet metal screws
Strike screws (2)	#5 X 5/8" FH sheet metal screws