

Adaptation Instructions for Removable Cores in 93K - 95K Cylindrical Locks

These instructions describe how to install a Schlage large format removable core into a modified 9K BEST lever handle. Use these instructions only after completing the installation of the cylindrical chassis. For standard 9K cylindrical lock installation instructions see T56075 — *Installation Instructions for 9K Cylindrical Locks*.

Note: Schlage removable cores are not provided.

Follow these steps to install a Schlage removable core in a BEST 9K lock.

1 Install spacer in BEST's Schlage adaptation lever

- 1 Locate the Schlage core and control key that will operate the lock to be adapted.
- 2 Using a flat-blade screwdriver, remove the lever by pressing on the lever keeper as shown in Figure 1. If this is a standard 9K BEST lever, put to the side or discard.

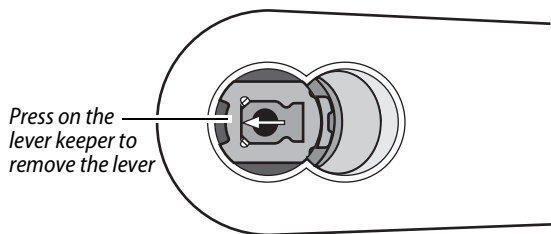


Figure 1 Removing the lever – BEST lever shown

- 3 Insert the spacer, tab first, into the sleeve as shown in Figure 2.

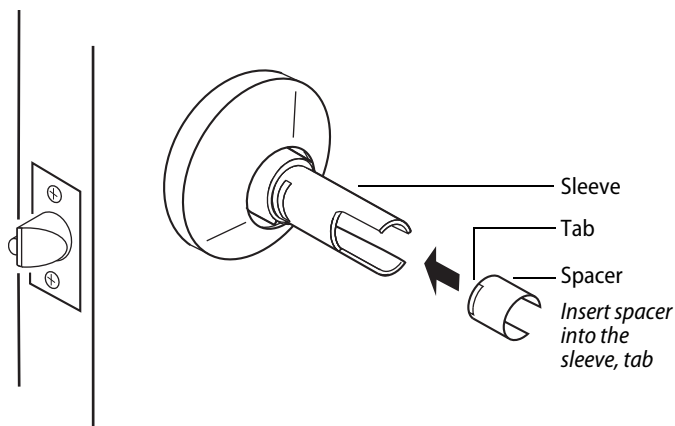


Figure 2 Inserting the spacer into the lever sleeve

- 4 Install the Schlage adaptation lever provided by BEST.

Note: This lever was either included with a complete lock or packaged as part of an adaptation kit. See Figure 3.

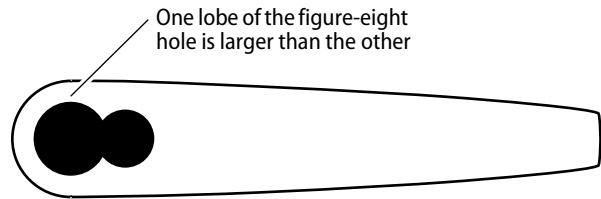


Figure 3 BEST's Schlage adaptation lever – front view

2 Assemble core adaptation

- 1 Put the Schlage core to be adapted face down on a flat surface.
Caution: The pinning will be lost if the core is not placed face down and kept on a flat surface.
- 2 Disassemble the core by unscrewing the cap from the core as shown in Figure 4. Keep the existing core and core cap.

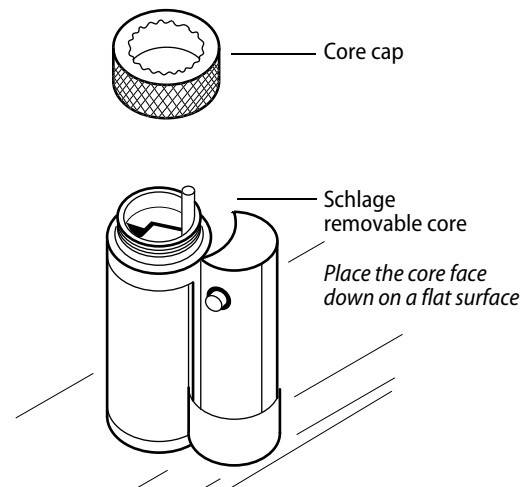


Figure 4 Unscrewing the cap from the Schlage core to be adapted

Continued —

- 3 Keeping the core face down, put the provided washer on the back of the core as shown in Figure 5.

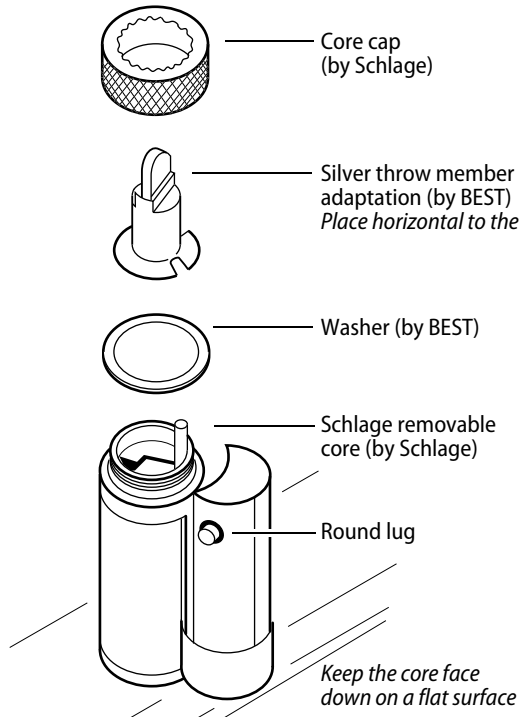


Figure 5 Putting the washer, throw member and core cap onto the Schlage core

- 4 Keeping the core face down, put the provided throw member on the back of the core as shown in Figure 5. **Put the throw member blade horizontal to the core** as shown in Figure 6.

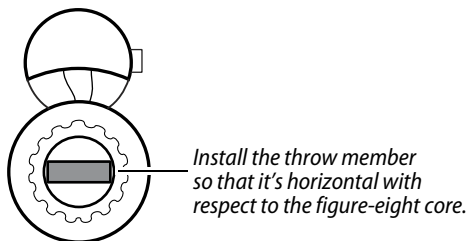


Figure 6 Rear view showing the throw member blade oriented horizontally

- 5 Keeping the core face down, tighten the core cap to a zero clearance and then back it off two to three notches to set the proper clearance.

Caution: Failure to follow this tightening procedure may cause the lock to malfunction.

When finished, the key should rotate freely and should remove easily from the core.

3 Install core in lever

- 1 Using the Schlage control key, insert the key into the assembled core and turn the key until the round lug – shown in – is flush to the core body.
- 2 Insert the core into the lever and remove the key.