

# Installation Instructions for 93K-95K Key-in-Knob Cylinders

These instructions describe how to install a key-in-knob cylinder into a 9K BEST lever handle. Use these instructions only after completing the installation of the cylindrical chassis. For standard 9K cylindrical lock installation instructions see T56075 — *Installation Instructions for 9K Cylindrical Locks*.

The BEST 9K key-in-knob cylinder cylindrical lock accepts the following keying system adaptations:

- Schlage
- Corbin
- Sargent
- Yale
- Medeco

**Note:** Original equipment manufacturers (OEM) cylinders are not provided with the lock.

Follow these steps to install the key-in-knob cylinder and throw member in an installed 9K lock. Assemble the key-in-knob cylinder provided by BEST using the steps below.

## 1 Assemble and install OEM Key-in-knob cylinder

### For Schlage or Corbin keying systems and key-in-knob cylinders provided by BEST

Follow these steps to install a Schlage or Corbin key-in-knob cylinder into the BEST 9K lever handle, as well as the key-in-knob cylinder provided by BEST.

- 1 Install the BEST adaptation throw member.

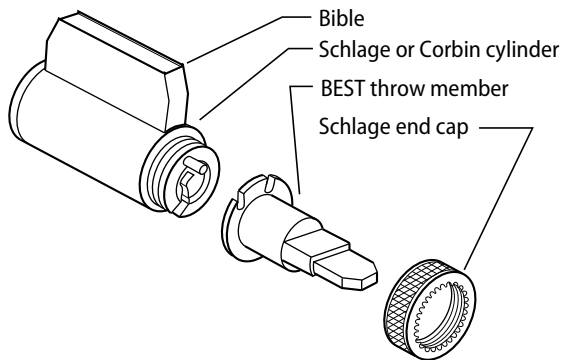


Figure 1 Installing the BEST adaptation throw member onto a Schlage or Corbin cylinder

- 2 Install the throw member and cylinder into the handle.

### For Sargent or Yale keying systems

Follow these steps to install a Sargent or Yale key-in-knob cylinder into the BEST 9K lever handle:

- 1 Install the BEST adaptation throw member.

**Note:** For Yale cylinders install the throw member so that the countersunk hole is nearest the pin.

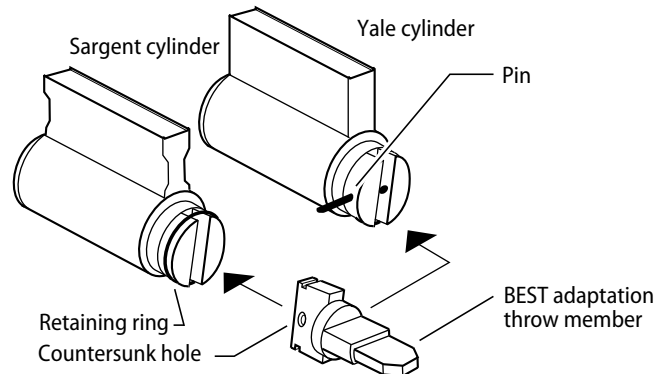


Figure 2 Installing the BEST adaptation throw member onto a Sargent or Yale cylinder

- 2 Install the throw member and cylinder into the handle.

### For Medeco keying systems

Follow these steps to install a Medeco key-in-knob cylinder into the BEST 9K lever handle:

- 1 Install the BEST adaptation throw member.

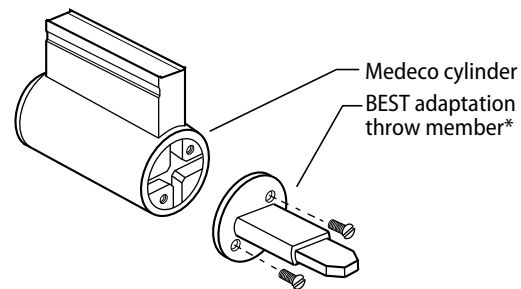


Figure 3 Installing the BEST adaptation throw member onto a Medeco cylinder

\*Two adaptation throw members exist:  
Gold-colored – for use with Medeco-style levers  
Silver-colored – for use with Sargent-style levers

- 2 Install the throw member and cylinder into the handle.

—Continued

## 2 Install the lever insert and support ring

For all keying systems

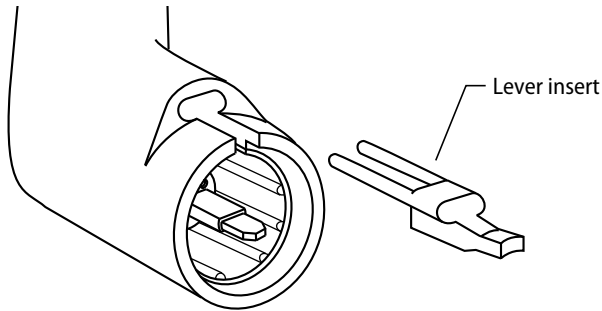


Figure 4 Inserting lever insert into the handle

- 1 Install the lever insert.
- 2 Install the support ring.

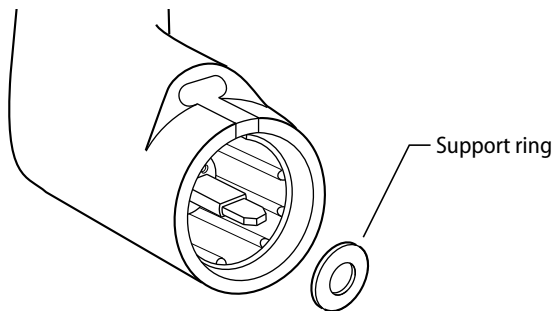


Figure 5 Inserting support ring into the handle

**Caution:** The support ring is necessary to completely secure the lever.

## 3 Orient the locking cam

- 1 Carefully turn the locking cam using a Philips-head screw driver counterclockwise **until it stops**. See Figure 6.

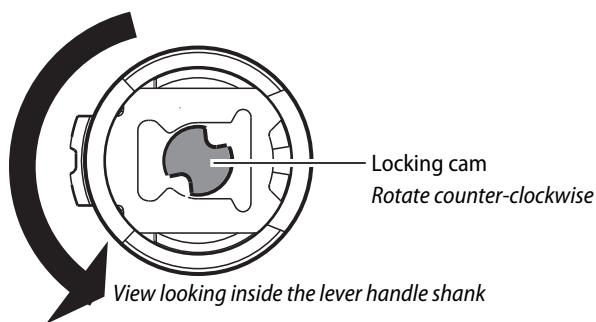


Figure 6 Rotating the locking cam counter-clockwise

## 4 Install the lever handle

- 1 Insert the key into the cylinder.
- 2 Turn the key 90 degrees counterclockwise.
- 3 Insert the lever handle until seated.
- 4 Remove the key from the cylinder.
- 5 For double-keyed units, repeat steps 1–4.