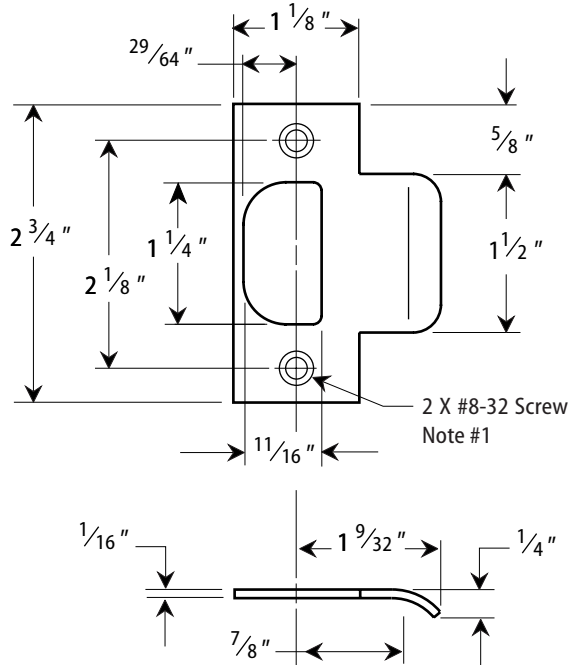


Strike Specifications for 6K, 8K, 9K Cylindrical Locks

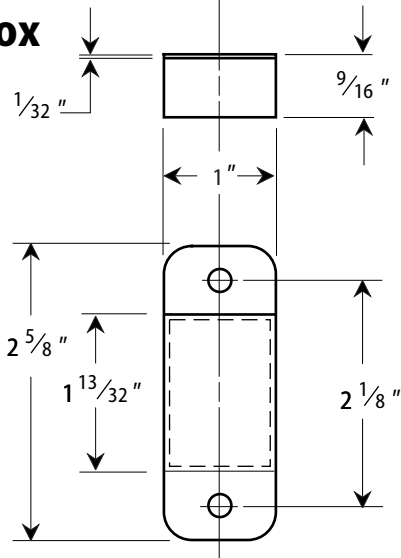
Template Number: K21
Series: 6K, 8K, 9K



6KSTK Strike



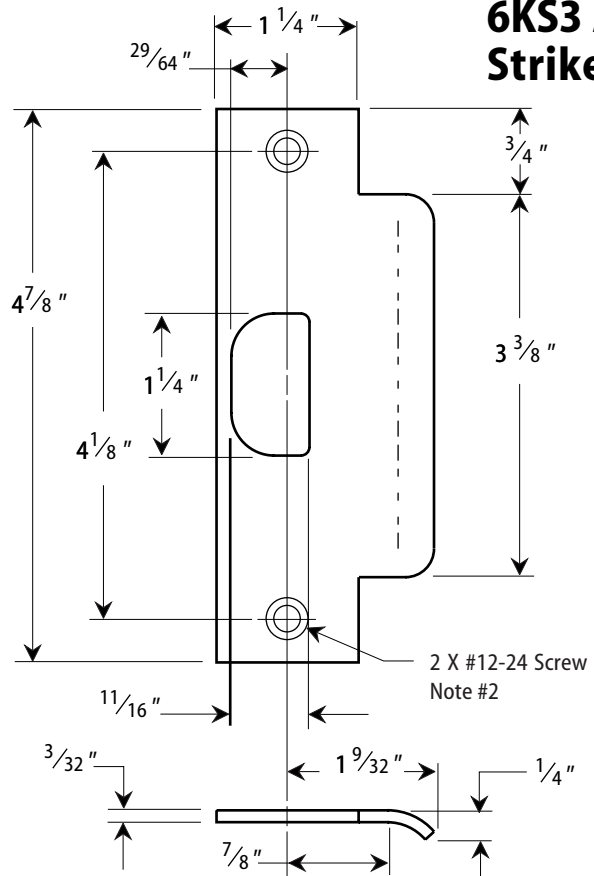
8KS1 Box



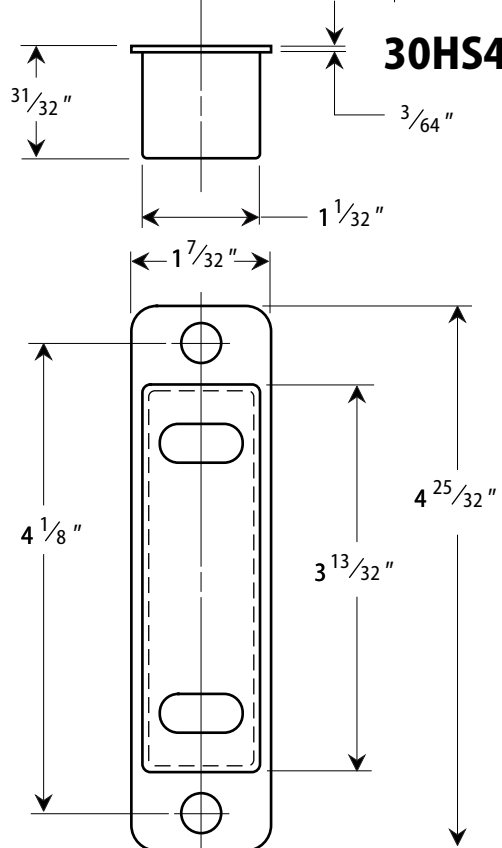
Notes

- 1 Prepare for a #8-32 machine screw or for a #8 wood screw (combination screw supplied).
- 2 Prepare for a #12-24 machine screw or for a #12 wood screw (combination screw supplied).
- 3 Allow plus tolerance for clearance per ANSI A115.2.

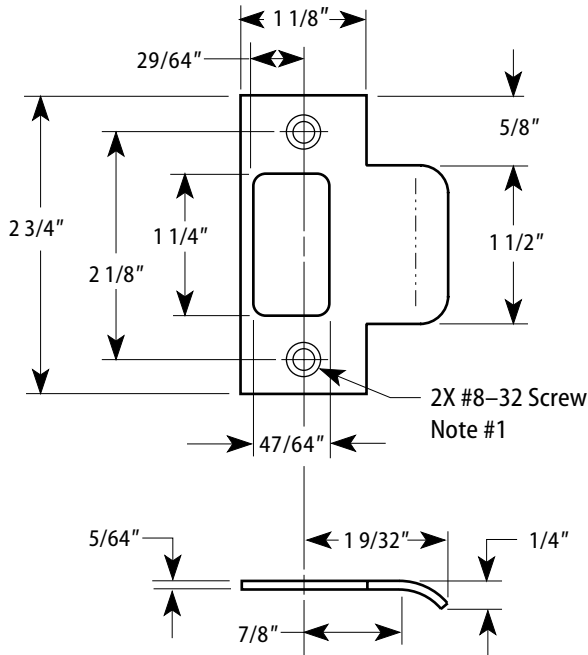
6KS3 ANSI Strike



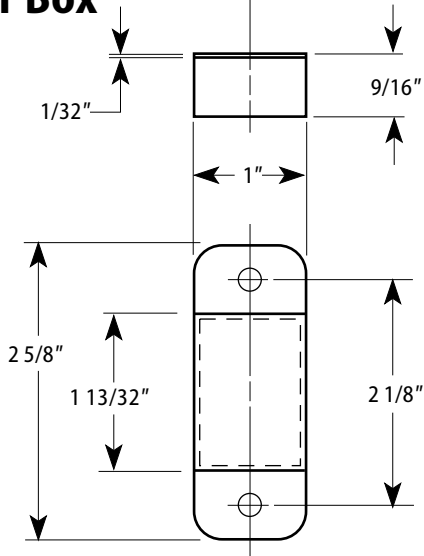
30HS4 Box



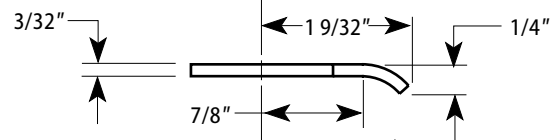
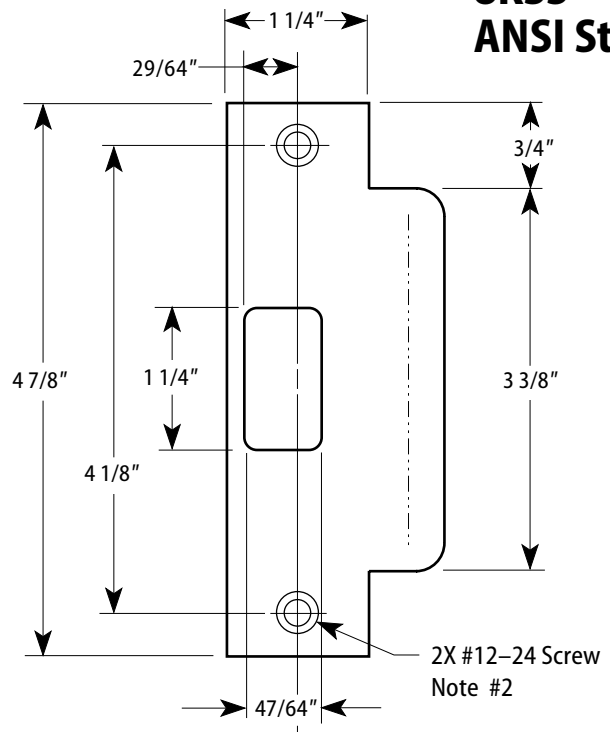
8KS2 Strike



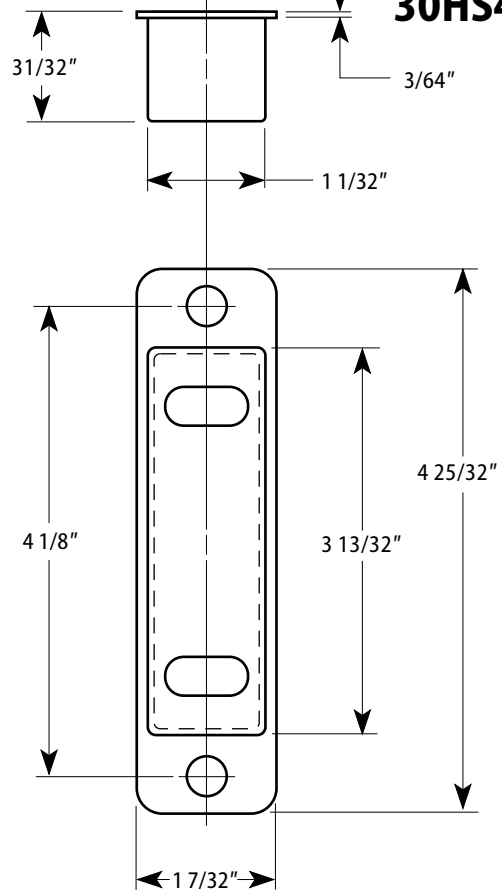
8KS1 Box



8KS3 ANSI Strike



30HS4 Box



Notes

- 1 Prepare for a #8-32 machine screw or for a #8 wood screw (combination screw supplied).
- 2 Prepare for a #12-24 machine screw or for a #12 wood screw (combination screw supplied).
- 3 Allow plus tolerance for clearance per ANSI A115.2.