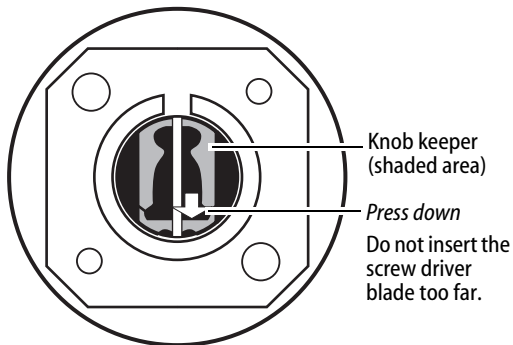


1 Disassemble inside trim

For 8K double dummy trim, disassemble the inside trim assembly only. There is no need to disassemble the outside trim. The outside trim assembly is the assembly that has through-bolt studs. See Figure 4.

Note: Single dummy trim (1DT) is an inside trim assembly only. Double dummy (2DT) includes both an inside and an outside trim assembly.

- Using a screwdriver, press down on the knob keeper from the back of the knob, while pulling on the knob. See Figure 1. Slide the knob off.



Back side of the single dummy trim assembly

Figure 1— Pressing down on the knob keeper to slide the knob off.

- Unscrew the rose ring from the sleeve. See Figure 2.

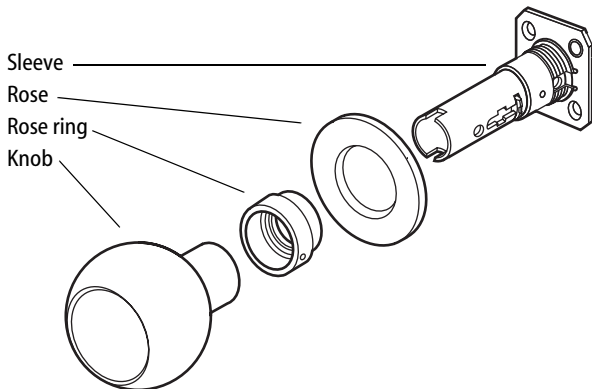


Figure 2— Unscrewing the rose ring and sliding the rose off the sleeve

- Slide the rose off of the sleeve.

You should now have the following parts:

- sleeve
- rose ring
- rose
- knob

And for double dummy trim only:

- outside dummy trim assembly. See Figure 4.

2 Mark and drill holes

- Draw a height line across the face of the door. The suggested height is 40–5/16" from the finished floor.

Note: For pairs of doors, install the dummy trim at the same height and backset distance from the edge of the door to the center of the lock trim on both the active and inactive doors.

- Place the template on the door. Mark and drill the two holes.

Note: For single dummy trim, drill two pilot holes half way through the door with a 1/16" drill bit. For double dummy trim, drill two holes completely through the door with a 9/32" drill bit.

3 Install dummy trim

For 8K single dummy trim

- Fasten the chassis onto the door with the screws provided. See Figure 3.

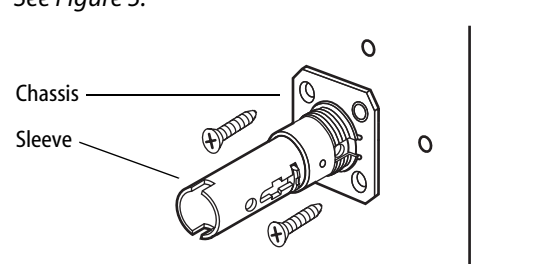


Figure 3— Installing the 8K single dummy trim

- Slide the rose over the sleeve. See Figure 2.
- Screw on the rose ring.
- Press on the knob.

For 8K double dummy trim

- Install the outside trim assembly from the outside of the door. See Figure 4.

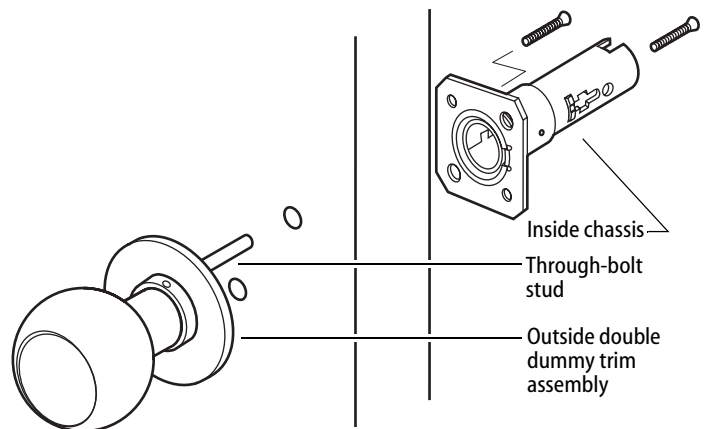


Figure 4— Installing the 8K double dummy trim

- Align the inside chassis and secure using the screws provided.
- Slide on the inside rose.
- Screw on the inside rose ring.
- Press on the inside knob.