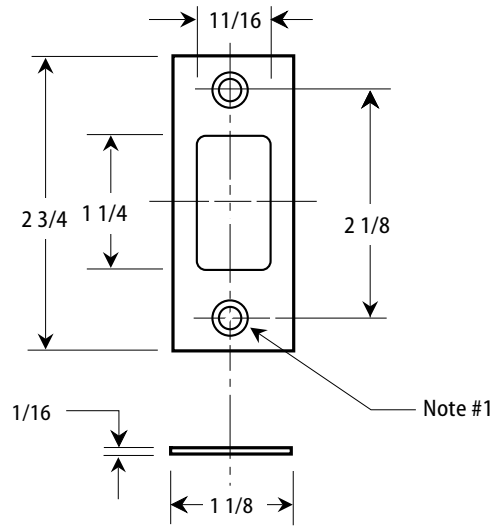
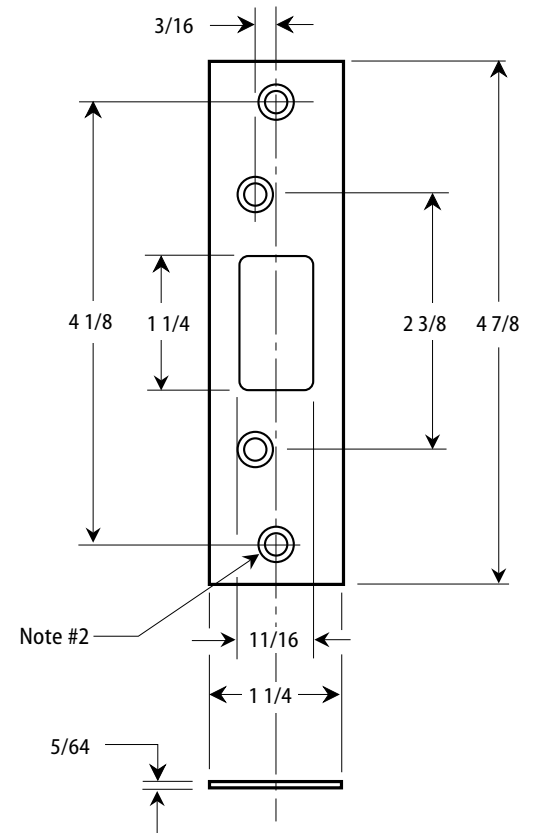


Strike Specifications for 72T/73T & 82T/83T Tubular Deadbolt Locks

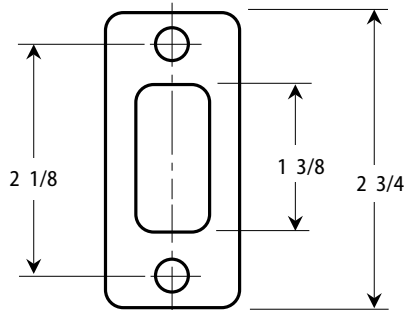
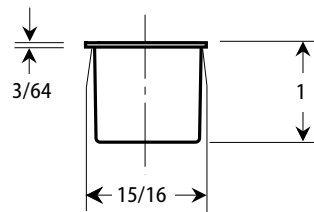
Template Number: T08
 Series: 72T/73T & 82T/83T
 Backset: 2 3/8" & 2 3/4"
 Door Thickness:
 72T/73T: 1 3/8" - 2 1/8"
 82T/83T: 1 3/8" - 3"



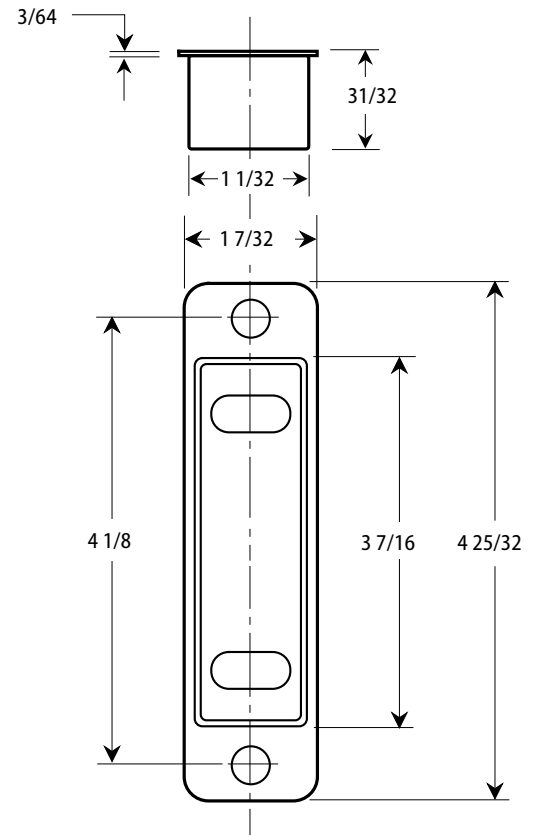
Standard strike



8TS5 strike



Standard strike box



30HS4 strike box

Notes

- 1 Prepare for a #8-32 screw.
- 2 Prepare for a #12-24 screw.
- 3 Allow plus tolerance for clearance per ANSI A115.2.

