



7KC SERIES

SERVICE MANUAL

**7KC GRADE 2
CYLINDRICAL LOCKS**

CREDITS/COPYRIGHT

Copyright ©2021 dormakaba USA Inc. All rights reserved.

Information in this document is subject to change without notice and does not represent a commitment on the part of dormakaba USA Inc. The software described in this document are furnished under a license agreement or nondisclosure agreement.

This publication is intended to be an accurate description and set of instructions pertaining to its subject matter. However, as with any publication of this complexity, errors or omissions are possible. Please call dormakaba USA Inc. at 1-800-392-5209 if you see any errors or have any questions. No part of this manual and/or databases may be reproduced or transmitted in any form or by any means, electronic or mechanical, including photocopying, recording, or information storage and retrieval systems, for any purpose, without the express written permission of dormakaba USA Inc.

This document is distributed as is, without warranty of any kind, either express or implied, respecting the contents of this book, including but not limited to implied warranties for the publication's quality, performance, merchantability, or fitness for any particular purpose. Neither dormakaba USA Inc., nor its dealers or distributors shall be liable to the user or any other person or entity with respect to any liability, loss, or damage caused or alleged to be caused directly or indirectly by this publication.

Life Safety Code is a registered trademark of the National Fire Protection Association.

Written and designed by:
dormakaba USA Inc.
6161 East 75th Street
Indianapolis, IN 46250

T80621_Rev C 1832441 ER7991-6 August 2021

CONTENTS

FIGURES v

GETTING STARTED 1-1

- Introduction 1-1
- Certifications and standards 1-1
- Documentation package 1-2
- Technical support 1-3
 - Support services 1-3
 - Telephone technical support 1-3

FUNCTIONS AND PARTS LISTS 2-1

- Function descriptions 2-2
 - Single-keyed functions 2-2
 - Non-keyed functions 2-3
 - Functions by ANSI designation 2-3
- AB function chassis and trim—entrance lock (ANSI F109) 2-4
- Trim parts 2-5
 - Strikes and strike boxes 2-5
 - Roses 2-6
 - Buttons 2-6
 - Standard levers and throw member 2-7
 - Non-interchangeable lever and cylinders 2-8
 - Latches 2-9
 - Installation tools 2-10

SERVICE AND MAINTENANCE 3-1

- Replacing parts 3-2
 - Replacing the lever 3-2
 - Replacing the inside rose 3-5
 - Replacing the outside rose 3-6
 - Replacing the button assembly 3-8
- Lubricating the cores 3-10
- Aligning the chassis and trim 3-11
- Troubleshooting 3-12

INSTALLATION INSTRUCTIONS A-1

- Position template 1-3
- Bore two holes and install latch 1-3
- Install boring jig and drill two 5/16" diameter holes 1-3
- Adjust lock to door thickness 1-3
- Engage retractor in latch 1-4
- Install liner, rose, and lever 1-4
- Install strike plate 1-4
- Install core 1-4

INDEX B-1

FIGURES

FUNCTIONS AND PARTS LISTS

- [Understanding function drawings](#) 2-2
- [Strikes and strike boxes](#) 2-5
- [Roses](#) 2-6
- [Buttons](#) 2-6
- [Throw member](#) 2-8
- [#15 Keyed lever for non-interchangeable cylinders](#) 2-8
- [Latches](#) 2-9

SERVICE AND MAINTENANCE

- [Removing the keyed lever](#) 3-2
- [Removing the plain lever or button lever](#) 3-3
- [Reinstalling the lever \(keyed lever shown\)](#) 3-4
- [Removing the inside rose with the screwdriver](#) 3-5
- [Reinstalling the inside rose and rose liner](#) 3-6
- [Removing the outside rose](#) 3-7
- [Reinstalling the outside rose](#) 3-7
- [Engaging the retractor in the latch](#) 3-8
- [Removing the button assembly](#) 3-9
- [Inserting the button assembly into the sleeve](#) 3-9
- [Engaging the retractor in the latch](#) 3-11
- [Adjusting the outside rose and liner assembly](#) 3-12

1

GETTING STARTED

INTRODUCTION

The *7KC Series Service Manual* contains essential information to help you maintain your 7KC Series Lock.

CERTIFICATIONS AND STANDARDS

- The product complies with ANSI A156.2, Series 4000 Grade 2 standards; California Administrative Code Title 19 and Title 24; Illinois Accessibility Standard.
- The locks are listed by Underwriter's Laboratories for use on 3 Hr., A label single swinging doors (4' x 8').
- The 6KS2 and 6KS3 strike fits the standard door frame cutout as specified in ANSI A115.2.

DOCUMENTATION PACKAGE

The following documentation is available to help you with the installation, start-up, and maintenance of your 7KC Series Lock.

The installation and assembly instructions also can be ordered separately:

Document Title	Doc. No.
<i>Installation Instructions for 72KC–75KC Cylindrical Locks[†]</i>	T80622
<i>Installation Instructions for 72KC–75KC OEM Key-in-Knob cylinders [provided by others]</i>	T80628
<i>Installation Instructions for 72KC–75KC Key-in-Knob cylinders [provided by BEST]</i>	T81196
<i>Installation Instructions for 7KC IDT and 9K IDT/2DT Dummy Trim Assemblies</i>	T56076

† These installation instructions are included in this manual. See *Installation Instructions* on [page A-1](#).

The templates required for lock installations also can be ordered separately:

Document Title	Doc. No.
<i>K08 Template for Door and Frame Preparation for 63K, 73KC, 83K, 93K Cylindrical Locks with Small [STK] Strike</i>	T56052
<i>K09 Template for Door and Frame Preparation for 63K, 73KC, 83K, 93K Cylindrical Locks with Large [S3] Strike</i>	T56053
<i>K10 Template for Door and Frame Preparation for 64K, 74KC, 84K, 94K Cylindrical Locks with Small [STK] Strike</i>	T56054
<i>K11 Template for Door and Frame Preparation for 64K, 74KC, 84K, 94K Cylindrical Locks with Large [S3] Strike</i>	T56055
<i>K12 Template for Door Frame Preparation for 65K, 75KC, 85K, 95K Cylindrical Locks with Small [STK] Strike</i>	T56056
<i>K13 Template for Door Frame Preparation for 65K, 75KC, 85K, 95K Cylindrical Locks with Large [S3] Strike</i>	T56057
<i>K18 Template for 7KC, 8K, 9K Dummy Trim</i>	T56059
<i>K21 Template for Strike Specification for 6K, 7KC, 8K, 9K Cylindrical Locks</i>	T56060
<i>Template for 3 3/4" and 5" Backset for 6K, 7KC, 8K, 9K Cylindrical Locks with RQE</i>	T56077
<i>Template for 2 3/4" Backset for 6K, 7KC, 8K, 9K Cylindrical Locks with RQE</i>	T56091
<i>Template for 2 3/8" Backset for 6K and 7KC Cylindrical Locks</i>	T56092

TECHNICAL SUPPORT

Support services When you have a problem with the 7KC Series Lock, your first resource for help is the *7KC Series Service Manual*. If you cannot find a satisfactory answer, contact your local dormakaba Representative.

Telephone technical support A factory-trained Certified Product Specialist (CPS) is available in your area whenever you need help. Before you call, however, please make sure you are where the 7KC Series Lock is, and that you are prepared to give the following information:

- what happened and what you were doing when the problem arose
- what you have done so far to solve the problem.

dormakaba USA Inc. representatives provide telephone technical support for all 7 KC Series products. You may locate the representative nearest you by calling (800) 392-5209 Monday through Friday, between 8:00 a.m. and 5:00 p.m. eastern standard time; or visit the web page, <https://dhwsupport.dormakaba.com/hc/en-us>.

2

FUNCTIONS AND PARTS LISTS

The following pages contain function descriptions for all 7KC Series Locks. This chapter also includes an exploded diagram of a lock as well as diagrams of trim and other miscellaneous parts.

FUNCTION DESCRIPTIONS

This section includes function descriptions grouped by the following function types:

- single-keyed (page 2-2)
- non-keyed (page 2-3)
- ANSI designation (page 2-3).

Note: If the function is ANSI defined, the ANSI designation appears by the function name.

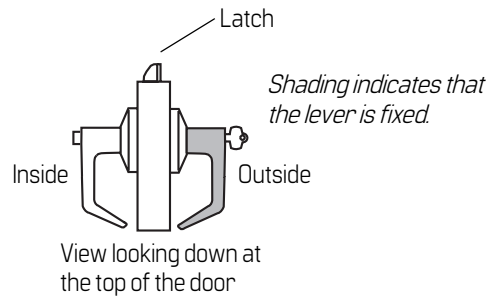
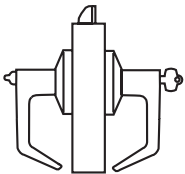


Figure 2.1 Understanding function drawings

Single-keyed functions

The following lists describe how the latchbolt, outside lever, and inside lever operate for each single-keyed 7KC function.

AB-Entrance (ANSI F109)



Latchbolt operated by:

- inside lever
- outside key
- outside lever when not locked

Outside lever locked by:

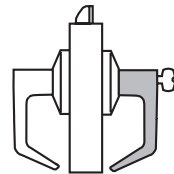
- inside button when pushed in
- inside button when pushed in and rotated clockwise

Outside lever unlocked by:

- inside lever when inside button pushed in but not turned
- outside key when inside button pushed in but not turned
- closing door when inside button pushed in but not turned

Inside lever is always unlocked

D-Storeroom (ANSI F86)



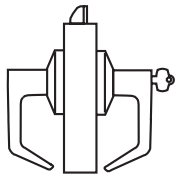
Latchbolt operated by:

- inside lever
- outside key

Outside lever is always fixed

Inside lever is always unlocked

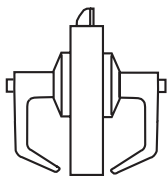
R-Classroom (ANSI F84)



- Latchbolt operated by:**
- inside lever
 - outside key
 - outside lever when not locked
- Outside lever locked by:**
- outside key
- Outside lever unlocked by:**
- outside key
- Inside lever is always unlocked**

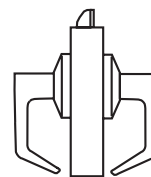
Non-keyed functions The following lists describe how the latchbolt, outside lever, and inside lever operate for each non-keyed 7KC function.

L-Privacy (ANSI F76)



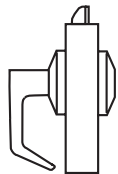
- Latchbolt operated by:**
- inside lever
 - outside lever when not locked
- Outside lever locked by:**
- inside button
- Outside lever unlocked by:**
- inside lever
 - outside slotted button when rotated counterclockwise
 - closing door
- Inside lever is always unlocked**

N-Passage (ANSI F75)



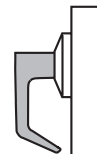
- Latchbolt operated by:**
- inside lever
 - outside lever
- Outside lever is always unlocked**
- Inside lever is always unlocked**

Y-Exit



- Latchbolt operated by:**
- inside lever
- Inside lever is always unlocked**

1DT-Single dummy trim



This trim assembly is a single, surface-mounted, non-rotating lever for an inactive door or a non-latching door. It can be installed on either the inside or outside of the door.

Functions by ANSI designation	ANSI no.	Function
	F75	N
	F76	L
	F84	R
	F86	D
	F109	AB

AB FUNCTION CHASSIS AND TRIM—ENTRANCE LOCK (ANSI F109)

This diagram shows the AB function lock. The chassis without trim and individual chassis parts are not available to order. See the following pages for part numbers.

- For levers, see [page 2-7](#).
- For roses, see [page 2-6](#).
- For buttons, see [page 2-6](#).

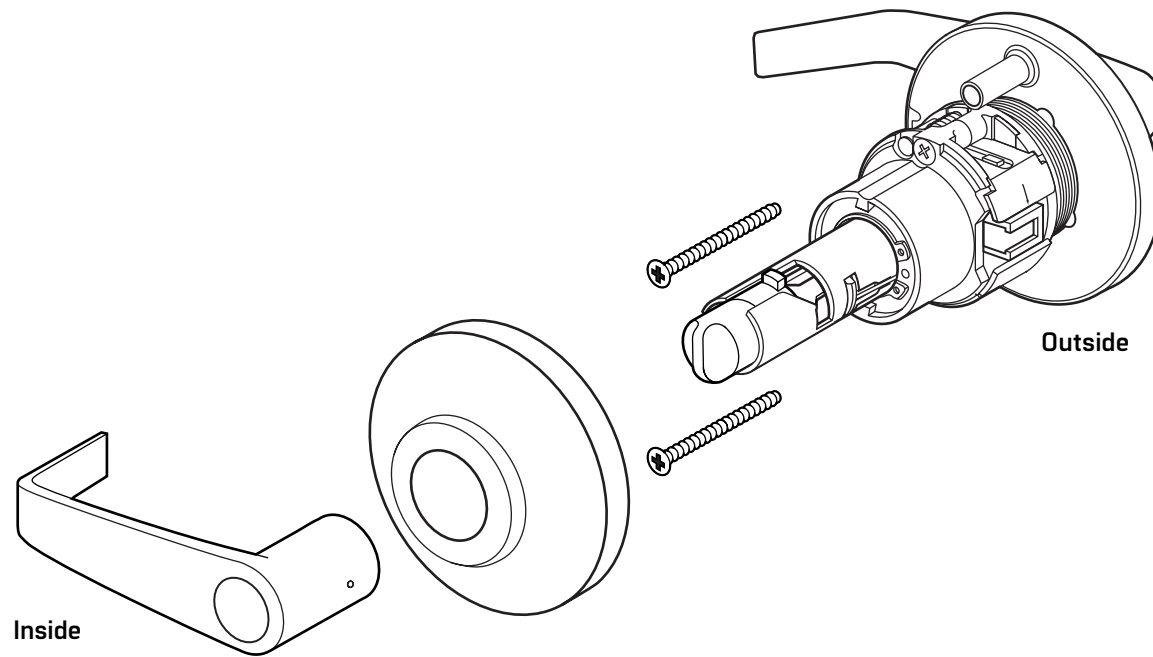


Figure 2.2 AB function exploded diagram

AB

TRIM PARTS

The available finishes are 605, 606, 612, 613, 625, 626.

Strikes and strike boxes

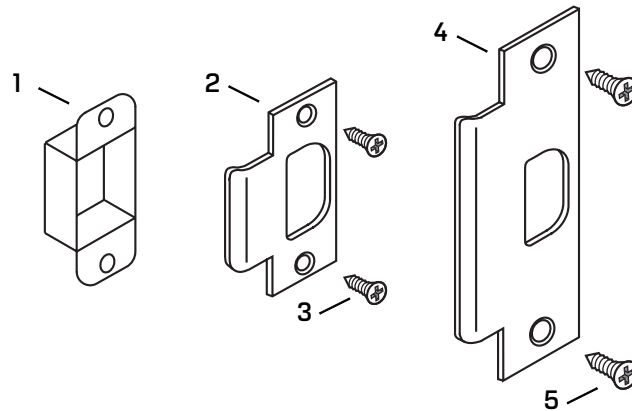


Figure 2.3 Strikes and strike boxes

Strikes and strike boxes parts list

Item	Nomen- clature	Part no.†	Qty.	Description
1	8KS1	B25640	1	Standard steel strike box
2	6KS2‡	A53761	1	Standard strike
3	N/A	A25359	2	Strike screw
4	6KS3††	A53773	1	ANSI strike
5	N/A	A18724	2	Strike screw

† Specify finish.

‡ Includes one A53761 strike, two A25359 strike screws, and one B25640 strike box.

†† Includes one A53773 strike and two A18724 strike screws.

Roses

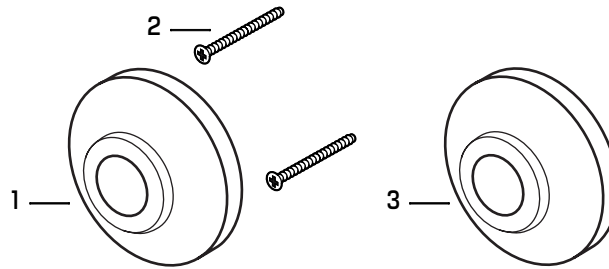


Figure 2.4 Roses

Roses parts list

Item	Part no.†	Qty.	Description
1	B56163	1	Inside rose
not shown	1833712	1	Inside rose liner
2	A55557	2	Through-bolt screw
3	B56164	1	Outside rose
not shown	1833754	1	Outside rose liner

† Specify finish.

Buttons

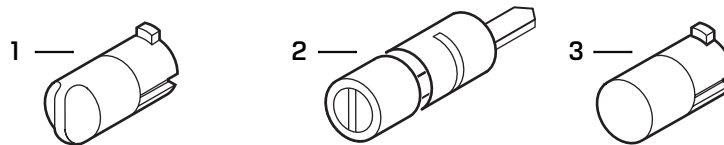


Figure 2.5 Buttons

Buttons parts list

Finish	Item 1	Item 2	Item 3
	Turn button assembly	Slotted button assembly	Push button assembly
605	1836205	1835725	1835966
606	1836247	1835767	1836006
612	1836289	1835809	1836048
613	1836320	1835840	1836080
625	1836362	1835882	1836121
626	1836404	1835924	1836163

Standard levers and
throw member

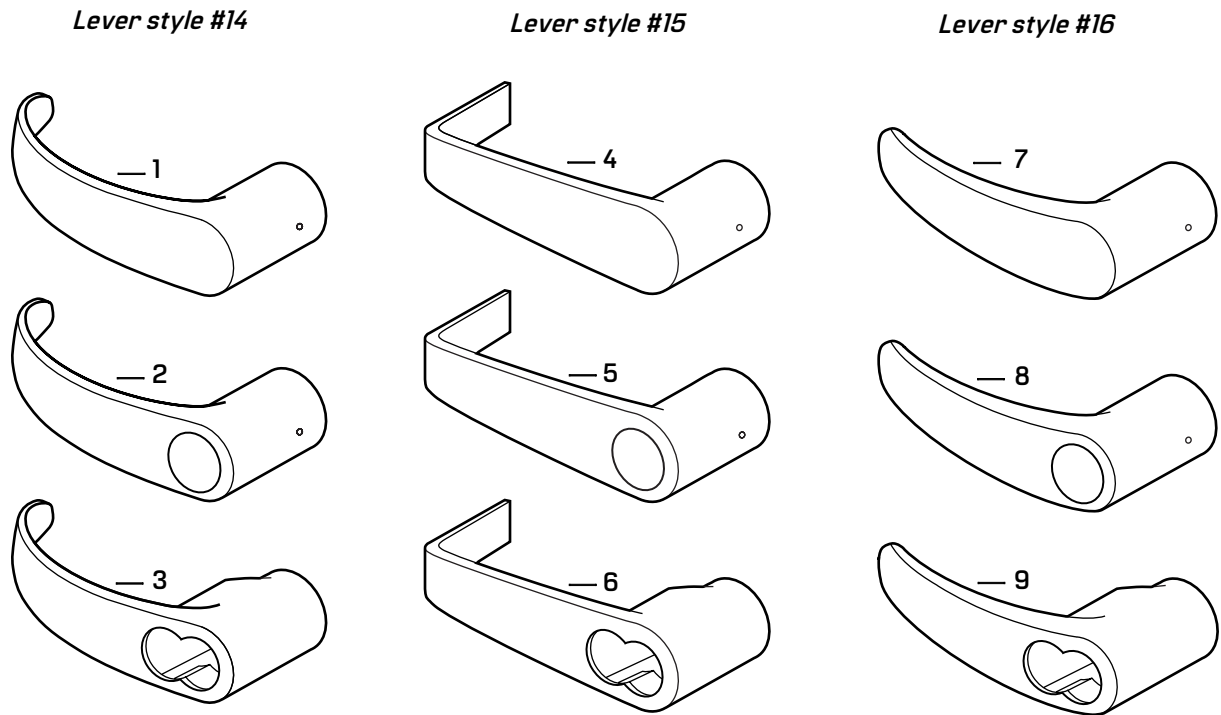


Figure 2.6 Standard levers

Standard levers parts list

Style	Item	Part no. [†]	Description
	1	D56159	Plain lever handle
14	2	D56157	Button lever handle
	3	D56158	Keyed lever handle
	4	D56155	Plain lever handle
15	5	D56153	Button lever handle
	6	D56154	Keyed lever handle
	7	D56162	Plain lever handle
16	8	D56160	Button lever handle
	9	D56161	Keyed lever handle

† Specify finish.

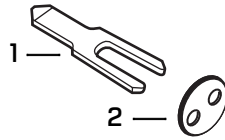


Figure 2.7 Throw member

Throw member part list

Item	Part no.	Qty.	Description
1	B56165	1	7KC throw member†
2	A56170	1	Throw member support ring

† Use for 6-pin and 7-pin cores. No spacer is required.

Non-interchangeable lever and cylinders

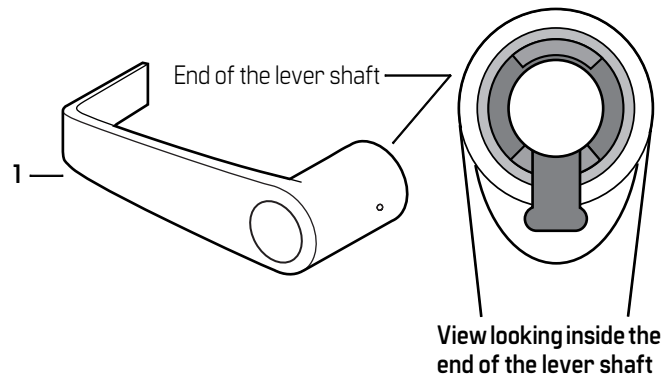


Figure 2.8 #15 Keyed lever for non-interchangeable cylinders

Non-interchangeable keyed lever and cylinders parts list

Item	Part no.	Finish	Description
1	D56156†		#15 Keyed lever for non-interchangeable cylinders
not shown	1888913	626	Non-interchangeable cylinder, keyed different
not shown	1888955	606	Non-interchangeable cylinder, keyed different
not shown	1891329‡	626	Non-interchangeable cylinder, keyed alike
not shown	1891287‡	606	Non-interchangeable cylinder, keyed alike
not shown	1888756	626	Non-interchangeable cylinder, zero-bitted
not shown	1888798	606	Non-interchangeable cylinder, zero-bitted

† Specify finish.
‡ Contains a set of 4 cylinders.

Latches

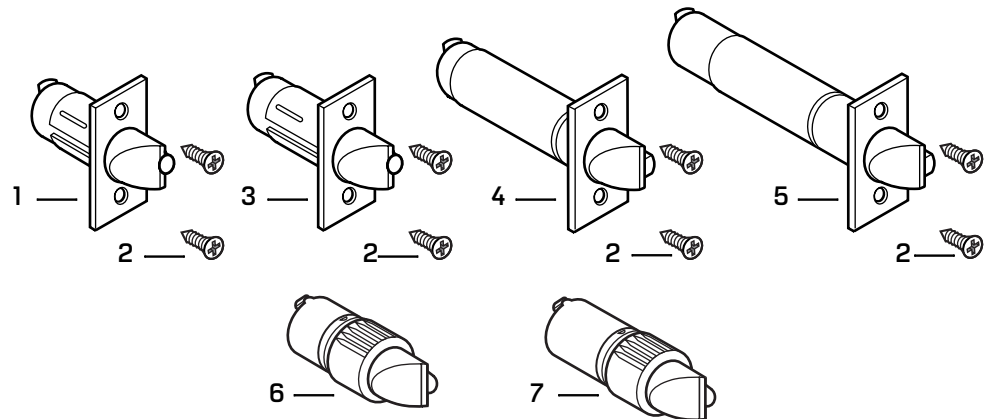


Figure 2.9 Latches

Latches parts list

Item	Part No. [†]	Nomen- clature	Backset	Description
1	B80112	6KL2-NF [‡]	2 3/8"	Deadlocking latch with narrow face (1")
not shown	B80188	6KL2-WF [‡]	2 3/8"	Deadlocking latch with wide face (1 1/8")
2	A25359	N/A	N/A	Latch screw
3	B80189	6KL3-NF [‡]	2 3/4"	Deadlocking latch with narrow face (1")
not shown	B80113	6KL3-WF [‡]	2 3/4"	Deadlocking latch with wide face (1 1/8")
4	B80194	6KL4-NF [‡]	3 3/4"	Deadlocking latch with narrow face (1")
not shown	B80195	6KL4-WF [‡]	3 3/4"	Deadlocking latch with wide face (1 1/8")
5	B80196	6KL5-NF [‡]	5"	Deadlocking latch with narrow face (1")
not shown	B80197	6KL5-WF [‡]	5"	Deadlocking latch with wide face (1 1/8")
6	A80192	6KL2-L8	2 3/8"	Drive-in latch
7	A80193	6KL3-L8	2 3/4"	Drive-in latch

[†] Specify finish.

[‡] Includes the latch and two A25359 latch screws.

Installation tools

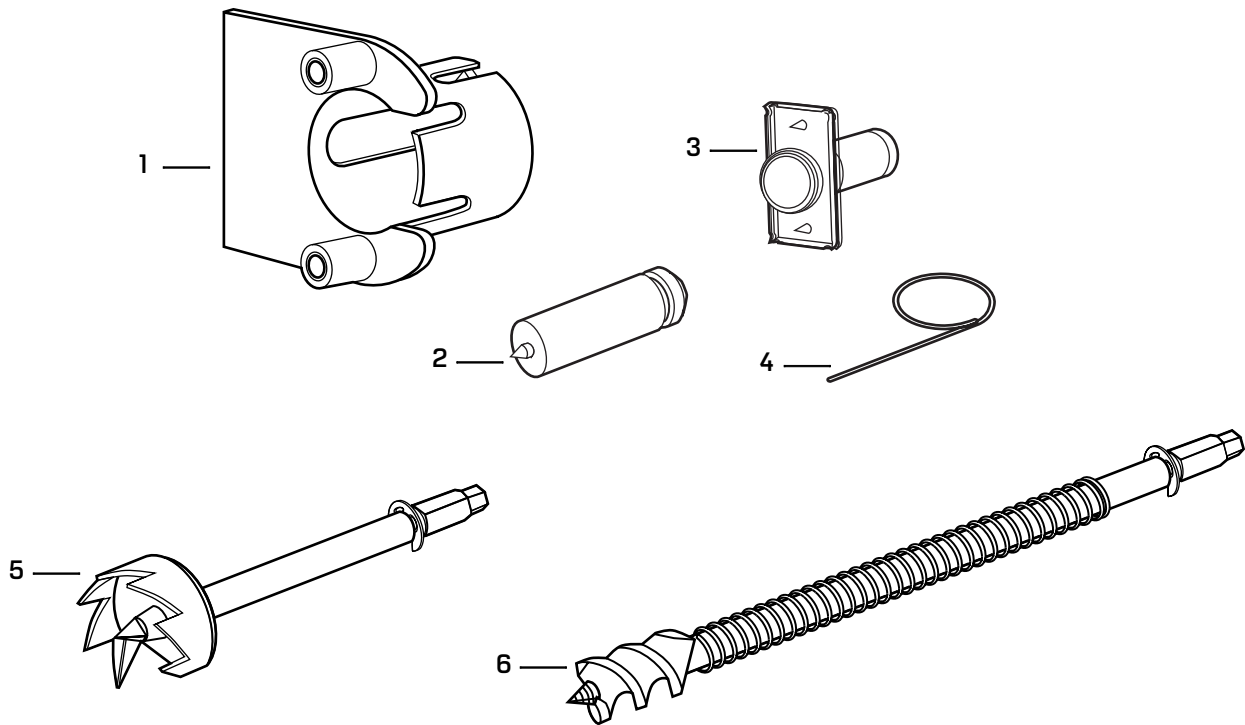


Figure 2.10 Installation tools

Installation tools parts list

Item	Nomenclature	Part no.	Description
1	KD303	C55034	Drill jig
2	KD325	A01514	Strike plate locating pin
3	KD315	1350393	Faceplate marking chisel [1 1/8" × 2 1/4"]
not shown	KD312	1487975	Faceplate marking chisel [1" × 2 1/4"]
4	N/A	A25341	Knob keeper tool
5	KD309	A54084	2 1/8" diameter chasis hole bit assembly†
6	KD318	A54085	1" diameter drill bit assembly†

† Use with the boring jig.

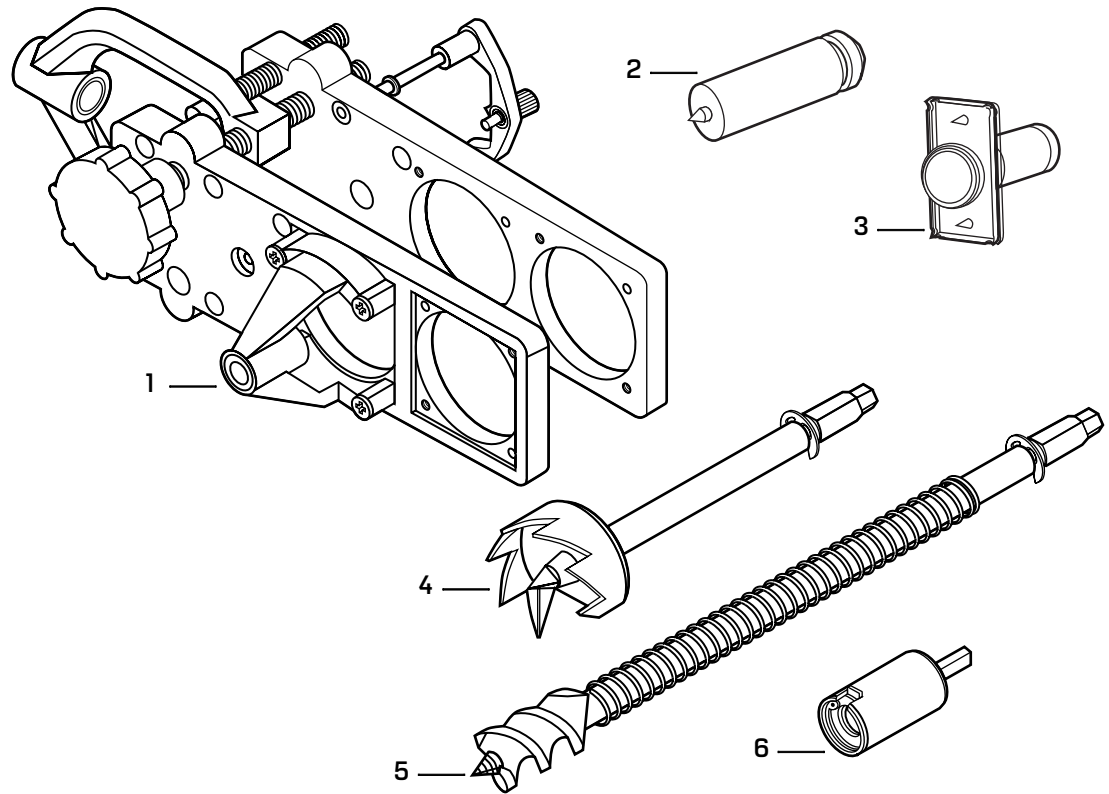


Figure 2.11 Boring jig kit

Boring jig kit parts list

Item	Nomenclature	Part no.	Description
1	N/A	N/A	Boring jig†
2	KD325	A01514	Strike plate locating pin
3	KD315	1350393	Faceplate marking chisel (1 1/8" × 2 1/4")
not shown	KD312	1487975	Faceplate marking chisel (1" × 2 1/4")
4 5	KD309	A54084	2 1/8" diameter chassis hole bit assembly
6	KD318	A54085	1" diameter drill bit assembly
1-6	N/A	N/A	Adaptor for 3/8" drill chuck†
	KD304A	N/A	Boring jig kit

† Can only be ordered as part of the KD304A boring jig kit.

3

SERVICE AND MAINTENANCE

This chapter contains instructions for replacing components, servicing and maintaining components, and troubleshooting common problems.

To	See page
Replace levers	3-2
Replace roses	3-5
Replace button assemblies	3-8
Lubricate cores	3-10
Align chassis and trim	3-11
Troubleshoot common problems	3-12

REPLACING PARTS

Replacing the lever To remove the keyed lever:

Note: For instructions regarding non-IC levers, see *BEST Installation Instructions for 7KC Non-IC Cores and Throw Members* (T80628).

1. Insert the control key into the core and rotate the key 15 degrees to the right.
2. Remove the core and throw member from the lever.
3. Insert a flat blade screwdriver into the figure-8 core hole and into the lever keeper.
4. Press the screwdriver blade in the direction of the arrow in [Figure 3.1](#).

Note: You will not be able to remove the lever if the screwdriver blade is inserted too far past the keeper.

5. Slide the lever off the sleeve.

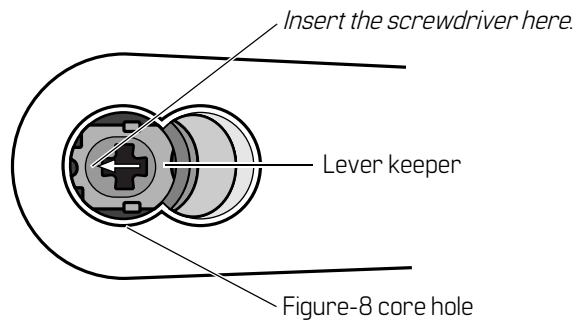


Figure 3.1 Removing the keyed lever

To remove the plain lever or button lever:

1. Insert the knob keeper tool into the hole on the shaft of the lever, as shown in [Figure 3.2](#).
2. Slide the lever off the sleeve.

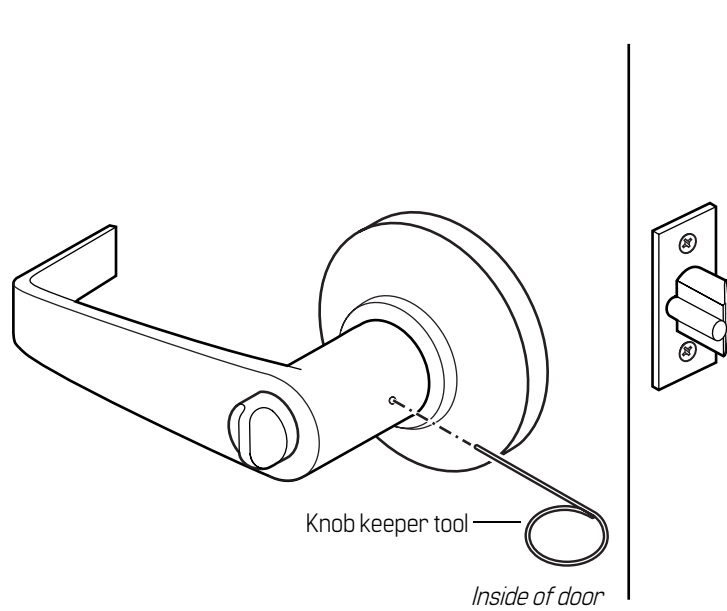


Figure 3.2 Removing the plain lever or button lever

To reinstall the lever:

Note: For instructions on reinstalling non-IC levers, see *BEST Installation Instructions for 7KC Non-IC Cores and Throw Members* (T80628).

1. Position the lever so that the handle points toward the door hinges, as shown in [Figure 3.3](#).
2. Slide the lever onto the sleeve and firmly push on the lever until it is seated.
3. Turn the levers to check that they operate smoothly.

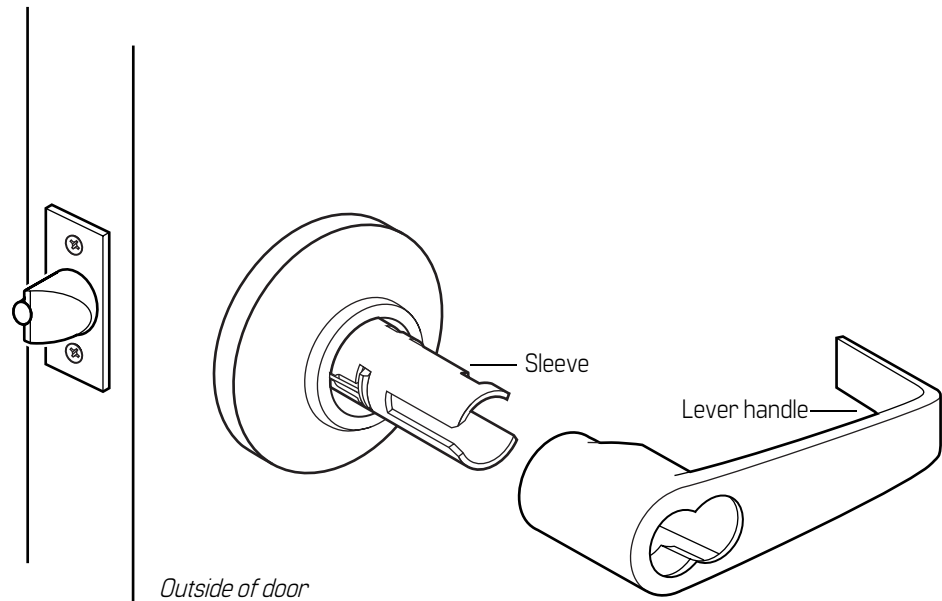


Figure 3.3 Reinstalling the lever (keyed lever shown)

4. If the lever is keyed, perform the steps below.
 - a. *For R function locks*, insert a screwdriver into the figure-8 opening and turn the locking mechanism counterclockwise as far as it will go.
For all other function locks, go to step b.
 - b. Insert the control key into the core and rotate the key 15 degrees to the right.
 - c. Using the control key, insert the core and throw member into the lever.
 - d. Rotate the control key 15 degrees to the left and remove the key.

Replacing the inside rose

To remove the inside rose:

1. Remove the inside lever ([page 3-2](#)).
2. Insert a flat blade screwdriver in the slot between the rose and liner, as shown in [Figure 3.4](#). Pry the rose until it pops off the liner.

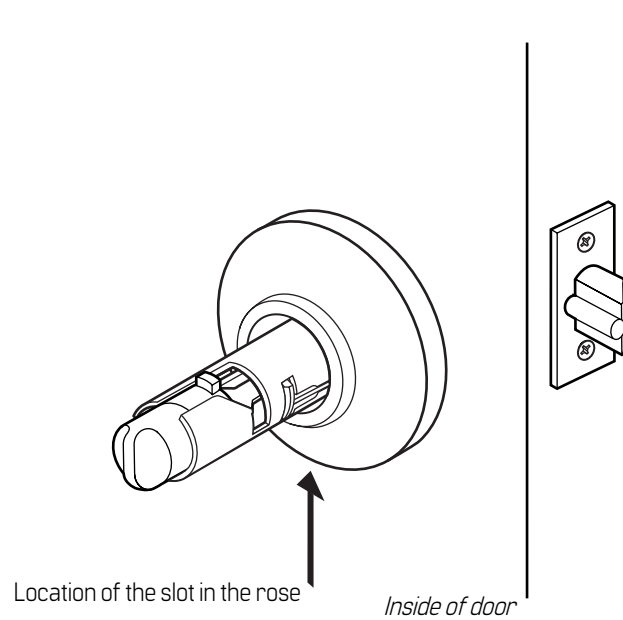


Figure 3.4 Removing the inside rose with the screwdriver

3. Unscrew the two through-bolts. Save the through-bolts.
4. Slide the liner off the sleeve. Save the liner.

To reinstall the inside rose:

1. Align the holes in the liner with the holes prepared in the door, as shown in [Figure 3.5](#).
2. Install the two through-bolts through the liner and door in the top and bottom holes.
3. Tighten the liner onto the door with the through-bolts.
4. Align the slot in the rose with the tab on the liner and firmly press until the rose is flush with the door.

5. Reinstall the inside lever ([page 3-4](#)).

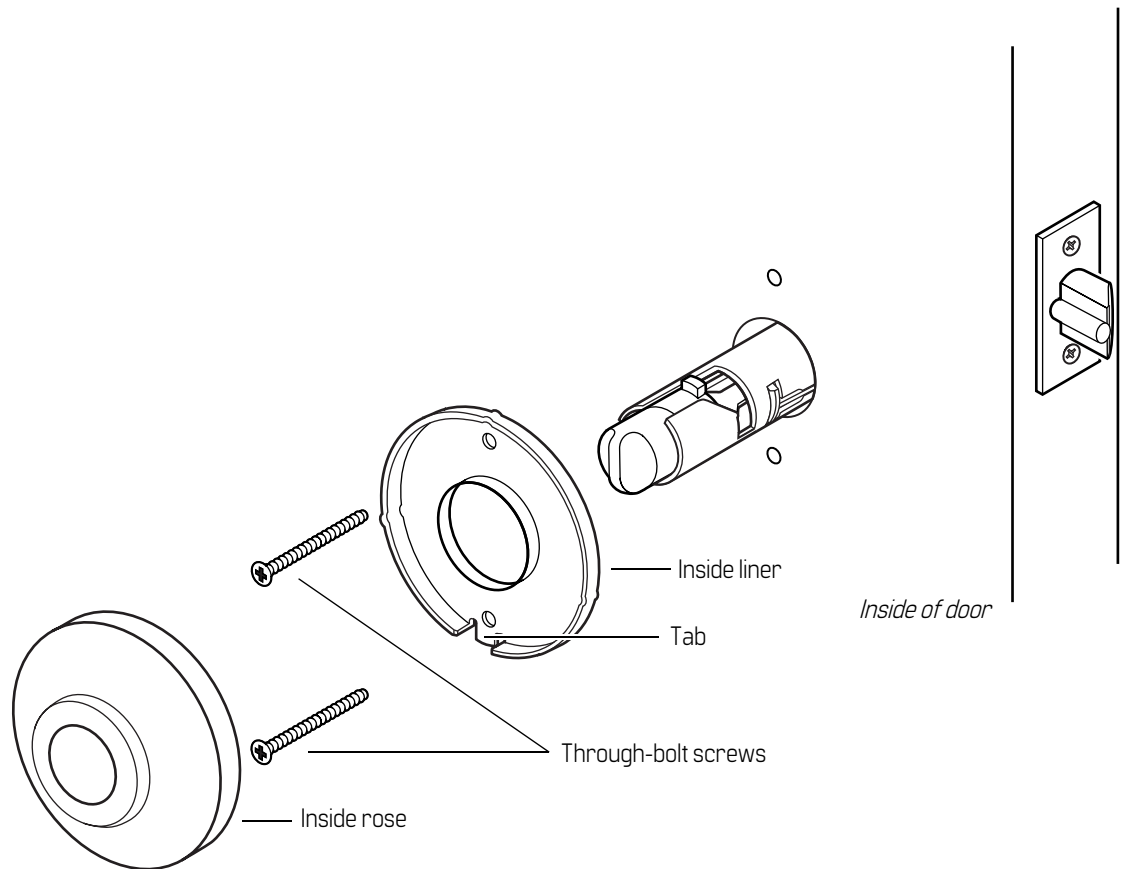


Figure 3.5 Reinstalling the inside rose and rose liner

Replacing the outside rose

To remove the outside rose:

1. Remove the following components:
 - levers ([page 3-2](#))
 - inside rose and rose liner ([page 3-5](#)).
2. Slide the chassis assembly out of the door.
3. Retract the rose locking pin, and rotate the rose and liner assembly until it is free from the hub. See [Figure 3.6](#).

- Slide the rose and liner assembly off the sleeve.

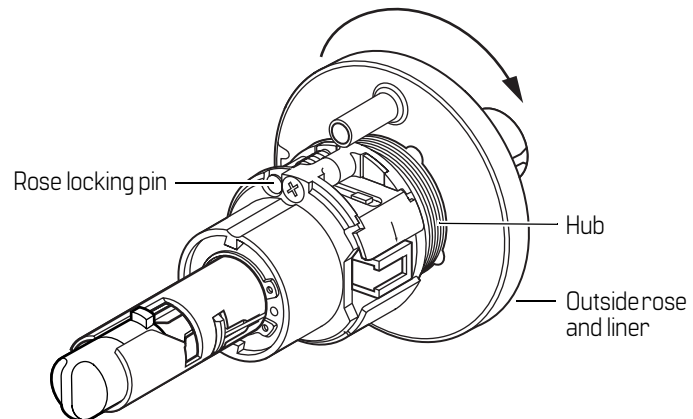


Figure 3.6 Removing the outside rose

- To separate the rose from the liner, insert a flat blade screwdriver in the slot between the rose and the liner. Pry the rose until it pops off the liner.

To reinstall the outside rose:

- Firmly press the outside rose onto the liner.
- Slide the outside rose and liner assembly onto the outside hub.
- Retract the rose locking pin, and rotate the rose and liner assembly onto the hub until the assembly reaches the bottom of the threading.
- With the rose locking pin still retracted, rotate the rose and liner assembly back off the hub. When the posts on the liner align with the chassis screws, release the rose locking pin into the indent in the liner. See [Figure 3.7](#). The pin should lock into the rose liner.

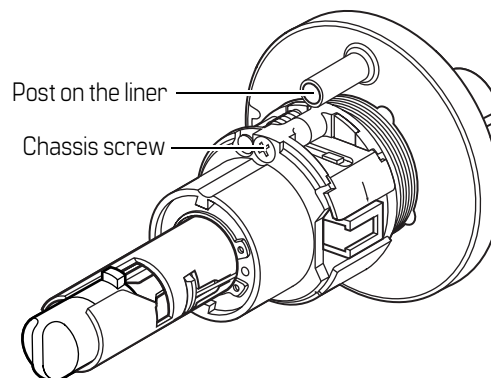


Figure 3.7 Reinstalling the outside rose

- From the outside of the door, install the chassis assembly. The outside rose and liner assembly should be flush with the door. Make sure the latch tabs engage the chassis frame and the latch tailpiece engages the retractor. See [Figure 3.8](#).

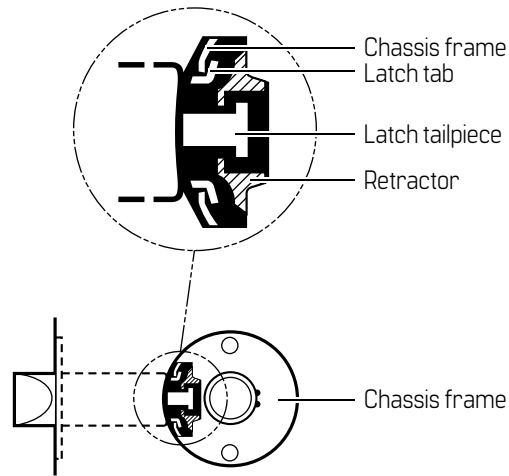


Figure 3.8 Engaging the retractor in the latch

- Reinstall the following components:
 - inside rose and rose liner ([page 3-5](#))
 - levers ([page 3-4](#)).

Replacing the button assembly

To remove the button assembly:

Note: These instructions apply for all types of button assemblies.

- Remove the lever ([page 3-2](#)).

2. Insert a flat blade screwdriver behind the plastic button retainer and pry the button assembly from the locking bar, as shown in [Figure 3.9](#).

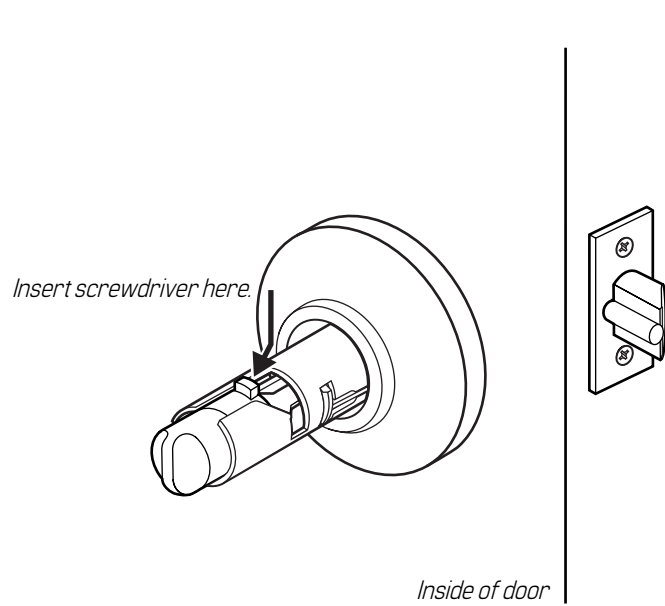


Figure 3.9 Removing the button assembly

To reinstall the button assembly:

1. Align the button tab with the top slot in the sleeve, as shown in [Figure 3.10](#).

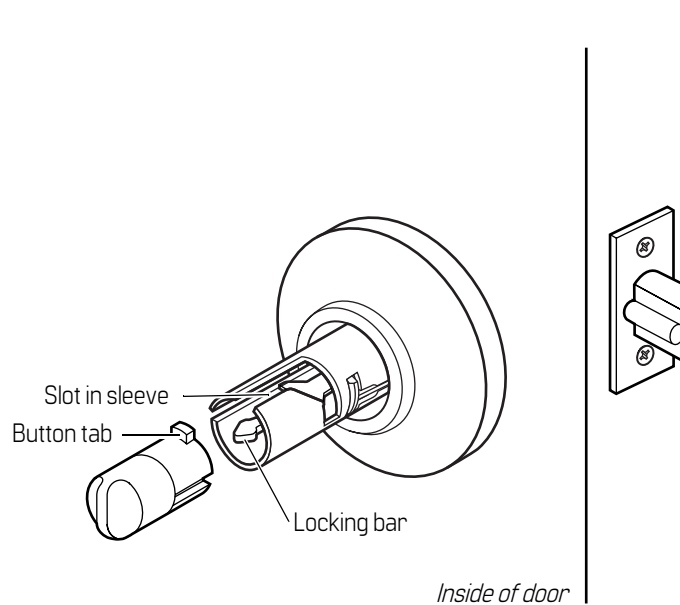


Figure 3.10 Inserting the button assembly into the sleeve

2. Firmly press the button assembly onto the locking bar until it is seated.
3. Reinstall the lever ([page 3-2](#)).

LUBRICATING THE CORES



Caution

Do not lubricate cores with oil. Doing so will only attract dirt.

For powdered graphite lubrication:

1. Dip a key in graphite. Insert the key into the keyhole and remove it; repeat several times. *OR*
Spray graphite into the keyhole. Insert the key into the keyhole and remove it; repeat several times.
2. Allow the graphite to sift into the pin segment holes.

For silicone type lubrication:

1. Clean all existing lubricant out of the core.



Caution

Do not mix graphite with a silicone-type lubricant.

2. With the core inverted, spray the lubricant into the key opening allowing the spray to penetrate the pin segment holes.

Note: When cores are installed and exposed to harsh weather conditions, silicone-type lubricants can help displace moisture as well as spread into pin segment holes and other surfaces.

ALIGNING THE CHASSIS AND TRIM

Establish a schedule to inspect locks, doors, and door hardware for proper alignment and operation. Occasionally a lock chassis and/or rose trim may become loose and require tightening.

To retighten a loose or misaligned chassis or rose trim:

1. Remove the following components:
 - levers ([page 3-2](#) or [page 3-3](#))
 - inside rose and rose liner ([page 3-5](#)).
2. Align the chassis with the latch. Make sure that the latch tabs engage the chassis frame and the latch tailpiece engages the retractor, as shown in [Figure 3.11](#). The outside rose and liner should also be flush with the door.

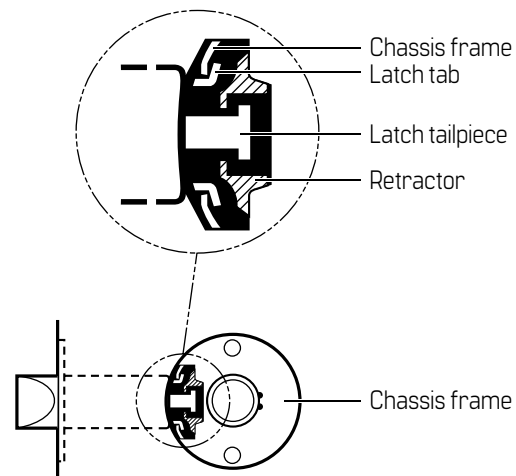


Figure 3.11 Engaging the retractor in the latch

3. If the chassis is not aligned with the latch, or the outside rose is not flush with door, perform these steps:
 - a. Slide the chassis assembly out of the door.
 - b. Retract the rose locking pin and adjust the outside rose and liner assembly as necessary, as shown in [Figure 3.12](#).
 - c. Release the rose locking pin when it is lined up with an indent in the liner and the posts on the liner match up with the chassis screws. The pin should lock into the rose liner.

- d. From the outside of the door, install the lock chassis assembly. The outside rose and liner assembly should be flush with the door. Make sure the latch tabs engage the chassis frame and the latch tailpiece engages the retractor.

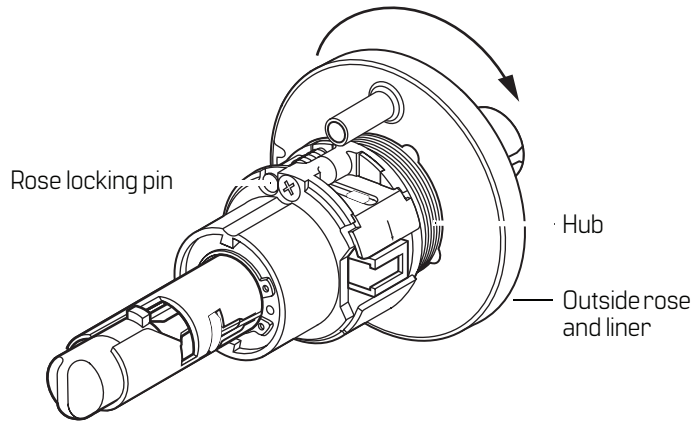


Figure 3.12 Adjusting the outside rose and liner assembly

- 4. Test the lever operation to make sure that the latch tailpiece does not bind with the chassis retractor.
- 5. Reinstall the following components:
 - inside rose and liner (page 3–5)
 - levers (page 3–4).

TROUBLESHOOTING

This table summarizes the possible causes for certain lock problems. The causes are listed in the order of likelihood. (The most likely cause is first, and so forth.)

You notice...	Possible causes include...	You should...
Lever won't return to its normal position.	There is binding between the lever and rose.	Make sure that the lock chassis is centered within the door (page 3–11).
Key spins freely, but won't retract the latch or unlock the door.	Throw member is not installed.	Install the throw member.
Core doesn't fit into the lever core hole.	Keyed lever is defective.	Replace the keyed lever (page 3–2).
Button doesn't pop out as expected.	Button retainer is damaged or bent.	Replace the button assembly (page 3–8).
Latch doesn't retract.	<ul style="list-style-type: none"> a. Latch tailpiece is broken. b. Latch tailpiece didn't engage the retractor correctly during installation. 	<ul style="list-style-type: none"> a. Replace the latch assembly. b. Reinstall the lock chassis in the door (page 3–6).

A

INSTALLATION INSTRUCTIONS

The following pages contain the *Installation Instructions for 72KC-75KC Cylindrical Locks*.

7K Lock Installation Instruction

Instrucción de instalación de cerradura 7KC

Instructions d'installation de la serrure 7KC

Tools Needed

Herramientas necesarias
Outils nécessaires



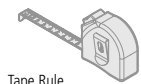
Phillips Screwdriver
Destornillador Phillips
Tournevis Phillips



Flathead Screwdriver
Destornillador de cabeza plana
Tournevis à tête plate



1" (25.4mm) Chisel
1" (25.4mm) Cincel
1" (25.4mm) Ciseau



Tape Rule
Flexómetro de Cinta
Mesure



Hole Saw
Sierra perforadora
Scie-cloche



Drill
Taladro
Perceuse

Caution: If you use hollow metal doors, determine whether the doors are reinforced enough to support the lock. If door reinforcement is not adequate, consult the door manufacturer for information on proper reinforcement.

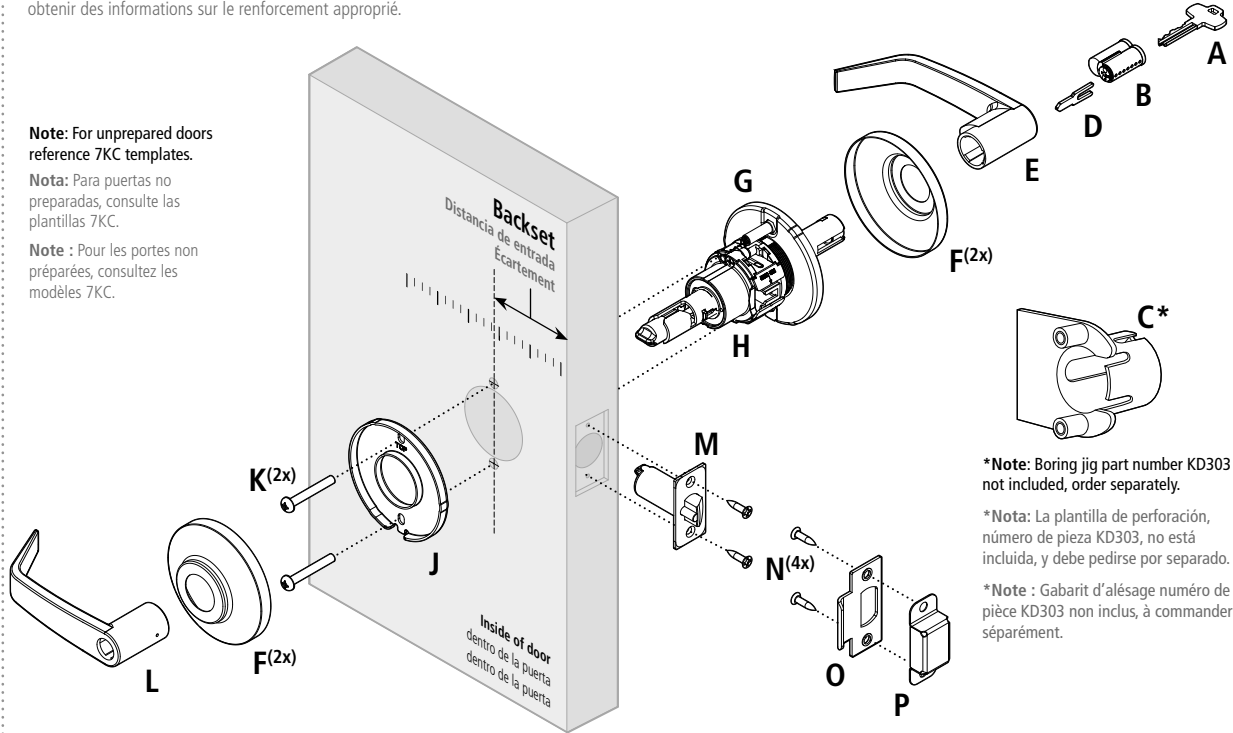
Precaución: Si utiliza puertas metálicas huecas, determine si están lo suficientemente reforzadas como para soportar la cerradura. Si el refuerzo de la puerta no es el adecuado, consulte con el fabricante de la puerta para obtener información sobre el refuerzo correcto.

Mise en garde : Si vous utilisez des portes métalliques creuses, déterminez si les portes sont suffisamment renforcées pour supporter la serrure. Si le renforcement de la porte n'est pas adéquat, consultez le fabricant de la porte pour obtenir des informations sur le renforcement approprié.

Note: For unprepared doors reference 7KC templates.

Nota: Para puertas no preparadas, consulte las plantillas 7KC.

Note : Pour les portes non préparées, consultez les modèles 7KC.



*Note: Boring jig part number KD303 not included, order separately.

*Nota: La plantilla de perforación, número de pieza KD303, no está incluida, y debe pedirse por separado.

*Note : Gabarit d'alésage numéro de pièce KD303 non inclus, à commander séparément.

A	Control Key Tecla de control Clé de contrôle	D	Throw Member - For 6-Pin and 7-Pin Cores Miembro de alzada: para núcleos de 6 o 7 clavijas Pièce de projection — Pour noyaux à 6 et 7 broches	G	Threaded Rose Liner Revestimiento de rosa roscado Plaque de rosette fileté	K(2x)	Through-Bolt Screws Tornillos pasantes Vis à boulon traversant	N(4x)	Screw #8-32 Tornillo n.º 8-32 Vis n.º 8-32
B	Core 6-Pin or 7-Pin (Optional) Núcleo de 6 o 7 clavijas (opcional) Noyau à 6 ou 7 broches (en option)	E	Lever Handle #15 Style Palanca estilo n.º 15 Bec-de-cane de style no 15	H	Chassis Assembly Conjunto del chasis Ensemble du barillet	L	Lever Handle Palanca Bec-de-cane	O	Standard Strike Plate Placa de golpe de serie Gâche standard
C*	Boring Jig Plantilla de perforación Gabarit d'alésage	F(2x)	Rose Rosa Rosette	J	Rose Liner Revestimiento de rosa Plaque de rosette	M	Latch Assembly Conjunto del pestillo Ensemble du loquet	P	Standard Strike Box Caja de golpe de serie Boîtier métallique standard

1 High edge of door bevel
Borde alto del bisel de la abertura
Bordure supérieure du biseau de la porte

Note: The suggested height from the floor to centerline of the lock is 40 5/16" (102.4cm). If steel frames are used, the latch centerline must be in-line with the center of the strike preparation.

Nota: La altura sugerida desde el piso hasta la línea central de la cerradura es 102,4 cm (40 5/16"). Si se utilizan marcos de acero, la línea central del pestillo debe estar alineada con el centro de preparación del pasador.

Note : La hauteur suggérée du sol au centre de la serrure est de 102,4 cm (40 5/16 po). Si des cadres en acier sont utilisés, la ligne centrale du loquet doit être alignée avec le centre de la préparation de la gâche.

2 Drill a 2 1/8" (54mm) hole halfway into the door. Repeat from the other side. Drill a 1" (25mm) hole for latch.

Taladre un orificio de 54 mm (2 1/8") en la mitad de la puerta. Repita en el otro lado. Taladre un orificio de 25 mm (1") para el pestillo.

Percez un trou de 54 mm (2 1/8 po) à mi-chemin dans la porte. Répétez de l'autre côté. Percez un trou de 25 mm (1 po) pour le loquet.

5 Install the boring jig (C*) with the edge parallel to the edge of the door.

Instale la plantilla de perforación (C*) con el borde paralelo al borde de la puerta. Installez le gabarit d'alésage (C*) avec le bord parallèle au bord de la porte.

Engage the jig with the latch tabs.
Enganche la plantilla con las pestañas del pestillo.
Engagez le gabarit avec les languettes du loquet.

3 Install the latch.
Instale el pestillo.
Installez le loquet.

4 Install the latch.
Instale el pestillo.
Installez le loquet.

5 Drill two 5/16" (8mm) holes halfway into the door. Turn the jig over and repeat from the other side.

Taladre dos orificios de 8 mm (5/16") en la mitad de la puerta. Gire la plantilla y repita en el otro lado. Retournez le gabarit et répétez de l'autre côté.

Note: Replace jig after ten door preparations.
Nota: Reemplace la plantilla después de diez preparaciones de puertas.
Note : Remplacez le gabarit après 10 préparations de porte.

6 Temporarily remove the latch (M).
Retire el pestillo (M) en forma temporal.
Retirez temporairement le loquet (M).

7 Adjust lockset to door thickness: Pull spring-loaded locking pin and rotate the threaded rose liner (G) until the door center mark aligns with center of the latch hole.

Ajuste el juego de la cerradura según el espesor de la puerta: Tire del pasador de bloqueo accionado por resorte y gire el revestimiento de la roseta roscado (G) hasta que la marca del centro de la puerta quede alineada con el centro del orificio del pestillo.

Ajustez le verrou à l'épaisseur de la porte : Tirez sur la goupille de verrouillage à ressort et faites pivoter la gaine de la rosette filetée (G) jusqu'à ce que le repère central de la porte s'aligne sur le centre du trou du verrou.

Rotate Rose
Gire la roseta
Faites pivoter la rosette

Rose locking pin
Pasador de bloqueo de la roseta
Goupille de verrouillage en rosette

Door center mark
Marca del centro de la puerta
Marque centrale de la porte

Once adjusted, make sure locking pin locks into rose liner.
Una vez ajustada, asegúrese de que la clavija de bloqueo se trabaje en el revestimiento de rosa.
Lorsque le tout est en place, assurez-vous que la goupille de verrouillage s'immobilise dans la rosette.

Factory preset for 1-3/4" (44.5mm) door.
Ajuste predefinido de fábrica para puerta de 1-3/4 pulg. (44,5 mm).
Prérégulé en usine pour porte de 44,5 mm (1 3/4 po).

8 Reinstall the latch.
Vuelva a instalar el pestillo.
Réinstallez le loquet.

9 Insert chassis assembly into door, engage retractor in latch.

Inserte el conjunto del chasis en la puerta, enganche el retractor en el pestillo.
Insérez l'ensemble du barillet dans la porte, insérez le rétracteur dans le loquet.

Make sure the latch tube prongs engage the chassis frame and that the latch tailpiece engages the retractor.
Asegúrese de que las patas del tubo del cerrojo se acoplen en el marco del chasis y de que la porción trasera del cerrojo se acople en el retractor.
Assurez-vous que les griffes du cylindre retiennent le logement du barillet en place et que la partie arrière du pêne dormant pénètre dans le rétracteur.

10 Install inner liner.
Instale el revestimiento interior.
Installez la gaine intérieure.

11 Press the rose on the liner.
Presione la roseta en el revestimiento.
Appuyez la rosette sur la gaine.

12 Press the lever on.
Presione la palanca hacia adelante.
Appuyez sur le levier.

Note: The lever points to the hinges.
Nota: La palanca apunta a las bisagras.
Note: Le levier pointe vers les charnières.

13 Install the strike box and plate.
Instale la caja del pasador y la placa.
Installez la boîte de la gâche et la plaque.

Mortise the jamb. See caution in step 14.
Aplique la mortaja en el montante.
Consulte la precaución en el paso 14.
Mortaisez l'embrasure de porte. Consultez la mise en garde à l'étape 14.

14 **Caution:** The deadlocking plunger of the latch must not enter the strike plate opening. The plunger deadlocks the latchbolt to prevent forcing. **Precaución:** El émbolo de punto de bloqueo del pestillo no debe ingresar en la apertura de la placa del pasador. El émbolo aplica el punto de bloqueo en el perno del pestillo para evitar que se fuerce. **Mise en garde:** Le piston de verrouillage du loquet ne doit pas pénétrer dans l'ouverture de la gâche. Le piston bloque le loquet pour éviter de forcer.

Caution: A gap of more than 1/8" may reduce security and/or cause improper operation of the latchbolt. **Precaución:** Un espacio de más de 3.15 mm (1/8 pulg.) puede ser menos seguro y hacer que el pasador funcione incorrectamente. **Mise en garde:** Un écart de plus de 3,18 mm (1/8 po) peut réduire la sécurité et/ou causer un mauvais fonctionnement du pêne à ressort.

Deadlocking plunger
Émbolo del punto de bloqueo
Plongeur de verrouillage
M

15 For R function locks only, insert a screwdriver into the figure-8 opening and turn the locking mechanism counterclockwise as far as it will go.

Para las cerraduras que solo tienen función R, inserte un destornillador en la apertura de la figura ocho y gire el mecanismo de bloqueo en sentido contrario al de las agujas del reloj lo más posible.

Pour les verrouillages de la fonction R uniquement, insérez un tournevis dans l'ouverture en forme de huit et tournez le mécanisme de verrouillage dans le sens inverse des aiguilles d'une montre.

16 Insert the throw member and the control key.

Inserte el miembro de alzada y la llave de control.

Insérez la pièce de projection et la clé de contrôle.

17 Rotate the key 15° clockwise and insert core into the lever.

Gire la llave 15° en el sentido de las agujas del reloj e inserte el núcleo en la palanca.

Tournez la clé de 15° dans le sens horaire et insérez le noyau dans le levier.

18 Rotate the key 15° counterclockwise and remove the key.

Gire la llave 15° en el sentido contrario al de las agujas del reloj y extraiga la llave.

Tournez la clé de 15° dans le sens antihoraire et retirez la clé.

Caution: Make sure the control key is protected.
Precaución: Asegúrese de que la llave de control esté protegida.
Mise en garde: Assurez-vous que la clé de contrôle est protégée.

For assistance or warranty information: Call 1-800-392-5209 or visit <https://dhwsupport.dormakaba.com/hc/en-us>

Si desea ayuda o información sobre la garantía: llame al 1-800-392-5209 o visite <https://dhwsupport.dormakaba.com/hc/en-us>

Pour de l'aide ou des informations sur la garantie: Veuillez appeler le 1-800-392-5209 ou visiter <https://dhwsupport.dormakaba.com/hc/en-us>

Warning: This Manufacturer advises that no lock can provide complete security by itself. This lock may be defeated by forcible or technical means, or evaded by entry elsewhere on the property. No lock can substitute for caution, awareness of your environment, and common sense. Builder's hardware is available in multiple performance grades to suit the application. In order to enhance security and reduce risk, you should consult a qualified locksmith or other security professional.

Advertencia: Este fabricante ha de saber que no hay cerraduras que puedan proporcionar seguridad completa por sí mismas. Esta cerradura puede fallar forzándola o utilizando medios técnicos o entrando por otra parte del edificio. No hay cerraduras que puedan sustituir la precaución, estar al tanto de su entorno y sentido común. Este fabricante también ofrece cerraduras de diferentes grados de rendimiento para ajustarse a su aplicación. Para mejorar la seguridad y reducir riesgos, usted debe consultar con un cerrajero especializado u otro profesional de seguridad.

Advertissement: Le fabricant tient à vous aviser qu'aucun verrou ne peut à lui seul offrir une sécurité complète. Ce verrou peut être mis hors d'état par la force ou des moyens techniques ou être évité par l'utilisation d'une autre entrée sur la propriété. Aucun verrou ne peut remplacer la surveillance de votre environnement et le bon sens. La quincaillerie pour le constructeur est offerte selon différents grades de performance pour différentes applications. Afin d'augmenter la sécurité et de réduire le risque, vous devez consulter un serrurier qualifié ou un autre professionnel de la sécurité.

B

INDEX

A

AB function lock
 function description for 2-2
 part numbers and drawings for 2-4
aligning the chassis and trim 3-11

B

boring jig kit 2-11
buttons
 part numbers and drawings for 2-6
 reinstalling 3-9
 removing 3-8

C

certifications and standards 1-1
cores, lubricating 3-10

D

D function lock 2-2
diagrams, exploded
 see part numbers and drawings
documentation package 1-2
drawings, of parts
 see part numbers and drawings
drill jig 2-10

E

exploded diagrams
 see part numbers and drawings

F

faceplate marking chisel 2-10 to 2-11
function description
 for AB function lock 2-2
 for D function lock 2-2
 for L function lock 2-3
 for N function lock 2-3
 for R function lock 2-3
 for single dummy trim 2-3
 for Y function lock 2-3

I

installation tools 2-10

L

L function lock 2-3
latches 2-9
levers
 part numbers and drawings for 2-7
 reinstalling 3-4
 removing keyed lever 3-2
 removing plain or button lever 3-3
lock chassis
 aligning 3-11
 reinstalling in the door 3-8
 removing from the door 3-6
lubricating cores 3-10

N

N function lock 2-3
non-IC lever and core 2-8
numbers, for parts
 see part numbers and drawings

P

- part numbers and drawings
 - for AB function lock 2-4
 - for buttons 2-6
 - for latches 2-9
 - for non-IC lever and core 2-8
 - for roses 2-6
 - for standard levers 2-7
 - for strikes and strike boxes 2-5
 - for throw member 2-8

R

- R function lock 2-3
- reinstalling
 - button 3-9
 - inside rose 3-5
 - lever 3-4
 - lock chassis in the door 3-8
 - outside rose 3-7
- removing
 - button 3-8
 - inside rose 3-5
 - keyed lever 3-2
 - lock chassis from the door 3-6
 - outside rose 3-6
 - plain lever or button lever 3-3
- roses
 - part numbers and drawings for 2-6
 - reinstalling inside rose 3-5
 - reinstalling outside rose 3-7
 - removing inside rose 3-5
 - removing outside rose 3-6

S

- single dummy trim 2-3
- strike plate locating pin 2-10 to 2-11
- strikes and strike boxes 2-5
- support, technical 1-3

T

- technical documentation package 1-2
- technical support 1-3
- throw member 2-8
- troubleshooting problems 3-12

Y

- Y function lock 2-3

