

# Installation Specifications for Door and Frame Preparation for 62K Cylindrical Locks with Large Strike (S3)

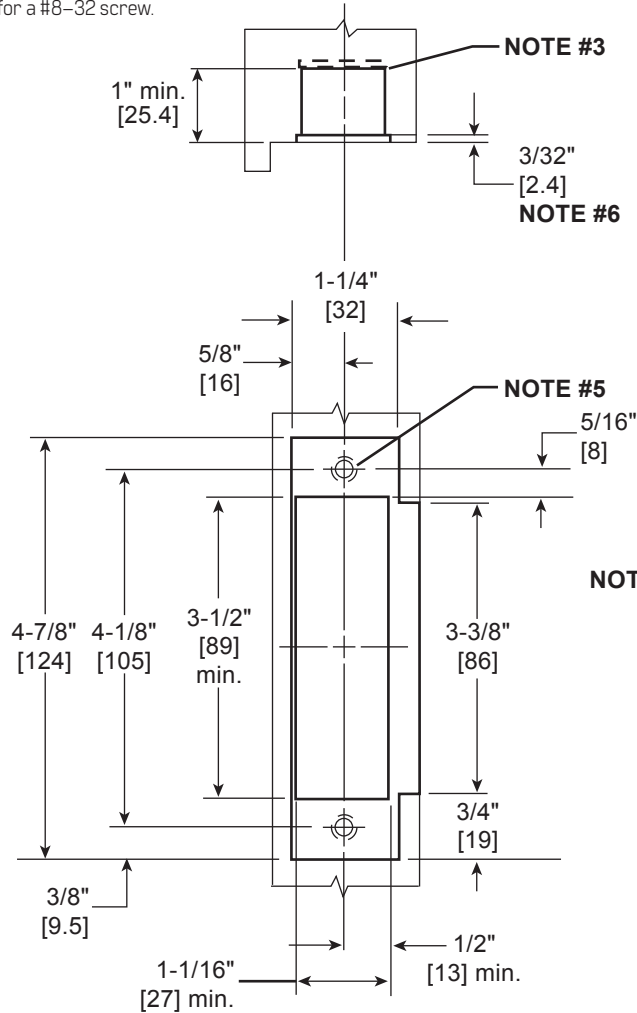
**Template Number:** K07  
**Series:** 62K  
**Backset:** 2-3/8" [60]  
**Strike:** Large ANSI Strike (S3)  
**Door Thickness:** 1-3/4" [44]



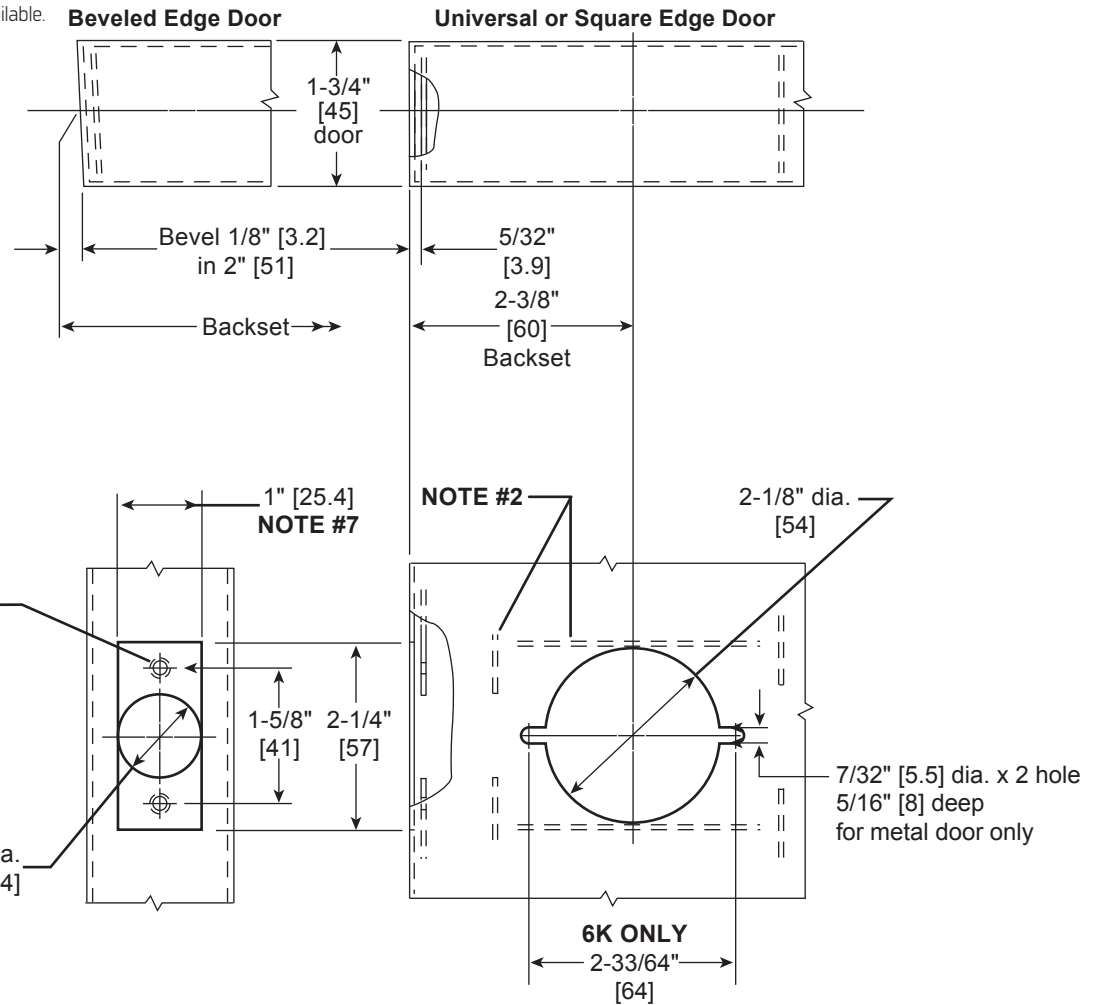
For online instructions, assistance or warranty information:  
 Call 1-800-392-5209 or visit <https://dhwsupport.dormakaba.com/hc/en-us>

## NOTES

- 1 Allow plus tolerance for clearance per ANSI A115.2.
- 2 Lock and latch case support by door manufacturer.
- 3 Plaster guard by door manufacturer.
- 4 Prepare for a #8-32 screw.
- 5 Prepare for a #12-24 screw.
- 6 When a strike box is used, 9/64" [3.6].
- 7 For 62K, a 1-1/8" [29] latch face is available.



Frame Preparation



2-3/8" [60] Backset Door Preparation